

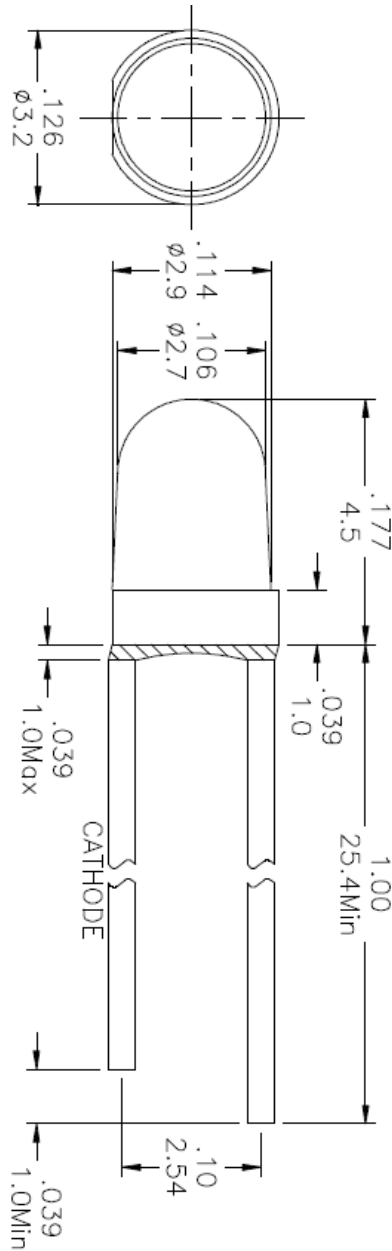


American Opto Plus LED Corp.

L354GD

3mm Green LED Lamp

PACKAGE DIMENSION



Chip material	Color Emitted	Lens Color	Viewing Angle
GaP	Green	Green Diffused	75°

Note

- All dimensions are in millimeter (inches)
- The tolerance is $\pm 0.25\text{mm}$ (0.01inch)



American Opto Plus LED Corp.

L354GD

3mm Green LED Lamp

ABSOLUTE MAXIMUM RATINGS

(Ta=25°C)

	Symbol	Rating	Unit
Power Dissipation	P_D	84	mW
Reverse Voltage	V_R	5	V
Forward Current	I_F	30	mA
Pulse Forward Current (Duty 1/10 @ 1KHZ)	I_{PF}	100	mA
Operating Temperature Range	T_{OPR}	-40~+80	°C
Storage Temperature Range	T_{STG}	-40~+100	°C
Lead Soldering Temperature	260°C for 5 sec (1.6mm or 0.063inch from body)		

OPTICAL-ELECTRICAL CHARACTERISTICS

(Ta=25°C)

	Symbol	Test Condition	Min	Typ	Max	Unit
Forward Voltage	V_F	IF=20mA	--	2.2	2.8	V
Peak Wavelength	λ_P		--	570	--	nm
Viewing Angle	2θ1/2		--	75	--	Deg
Luminous Intensity	I_V	IF=10mA	3	10	--	mcd
Reverse Current	I_R	VR=5V	--	--	100	μA