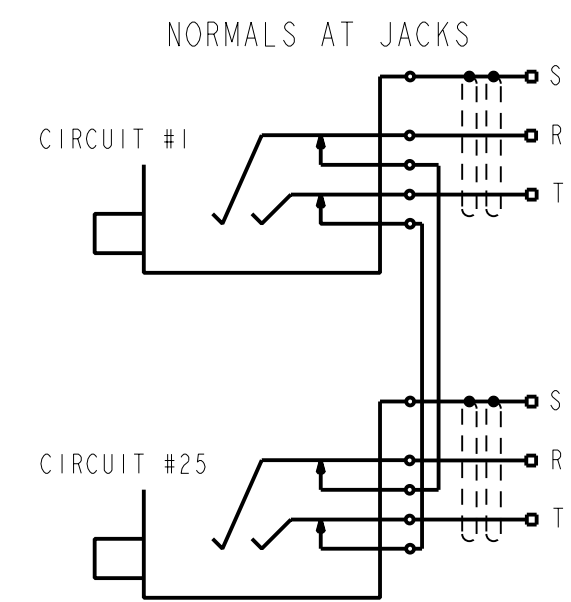
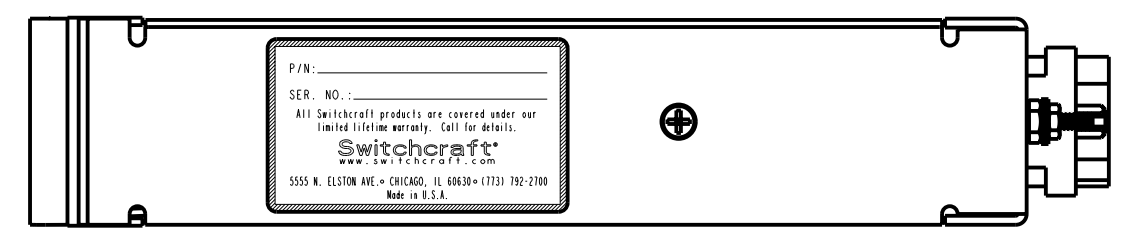
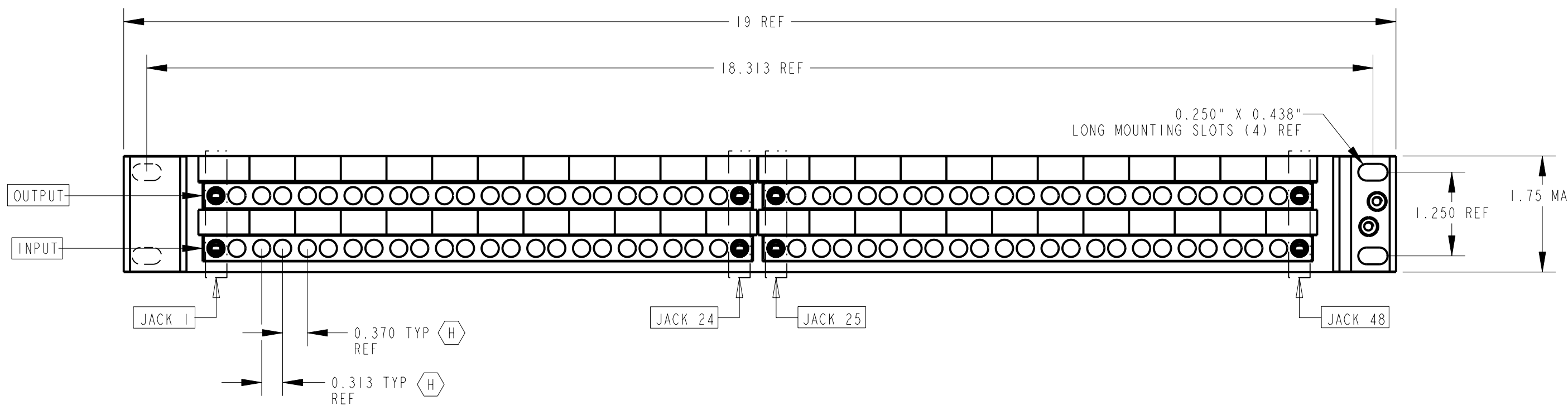


STANDARD AUDIO CONFIGURATION WIRING (S.A.C.)
WIRING VIEW - ROTATED 180°
(NORMALS AT JACKS)



JACK SCHEMATIC

90 PIN CONNECTOR PIN-OUT			
JACK No.	TIP	RING	SLEEVE
1	A	H	R
JACKS #2 THRU #6 PATTERN CONTINUES TO F,N,W			
7	X	AE	AM
JACKS #8 THRU #12 PATTERN CONTINUES TO AC,AL,AT			
13	BJ	BS	BY
JACKS #14 THRU #18 PATTERN CONTINUES TO BP,BX,CD			
19	CF	CN	CW
JACKS #20 THRU #24 PATTERN CONTINUES TO CM,CU,DB			



NOTES:

- MATERIALS:
 JACKS: FRAME - STEEL, NICKEL PLATED
 BUSHING - BRASS, NICKEL PLATED
 TIP, RING & SHUNT SPRINGS - SPECIAL COPPER ALLOY
 SCREWS - STEEL, ZINC PLATED

 PANEL: FRONT CHANNEL - ANODIZED ALUMINUM, BLACK
 FRAME & COVER - STEEL, BLACK EPOXY PAINTED
 DESIGNATION STRIPS - THERMOPLASTIC, BLACK
 DESIGNATION STRIP COVERS - THERMOPLASTIC, CLEAR
 JACK INSERTS - THERMOPLASTIC, BLACK

 EDAC CONNECTOR: HOUSING - THERMOPLASTIC UL94V-0, PART# 516-090-000-202
 CONTACTS - PHOSPOR BRONZE, GOLD PLATED

- MARKING STRIP SHEET, COVERS AND MOUNTING SCREWS NOT SHOWN, SHIPPED UNASSEMBLED.

CUSTOMER DRAWING

H	26875	11-7-11	TO	TJK	★ STAR SYMBOL DENOTES CRITICAL DIMENSION	THIS DRAWING DESCRIBES A DESIGN CONSIDERED PROPRIETARY IN NATURE, DEVELOPED AND MANUFACTURED BY SWITCHCRAFT INC. AND IS RELEASED ON A CONFIDENTIAL BASIS FOR IDENTIFICATION PURPOSES ONLY.				
G	24675	3-26-04	JL	JF						
F	23184	5-10-00	JL	EB	UNLESS OTHERWISE SPECIFIED	SIZE	WIDTH	MULT	LBS/M	TEMPER
E	22558	1-21-99	JL	JF	1. ALL DIMENSIONS IN INCHES - TWO PLACE DECIMALS ±0.01 - THREE PLACE DECIMALS ±0.005 - ANGLES ±1° - ALL DIA. CONCENTRIC WITHIN 0.005 T.I.R.	FINISH	MATERIAL SPEC No.		Switchcraft®	
D	22477	8-5-98	SG	ELB	2. FEATURES ON THE SAME CENTERLINE MUST BE ALIGNED WITHIN ±0.002	FIRST USED ON	SCALE	5:8		SHEET OF REV
J	26943	4-16-12	TO	TJK	3. REMOVE ALL BURRS	DATE DRAWN	BY	CHKD	APVD	
REV	ECO NUMBER	DATE	BY	APVD	DO NOT SCALE DRAWING	3-19-97	SG	3-19-97	JF	1-21-99
REVISIONS					NAME	JACKFIELD		PART No.		TT96EDACNS
					2 X 48 STEREO SPACED JACKS				REV	