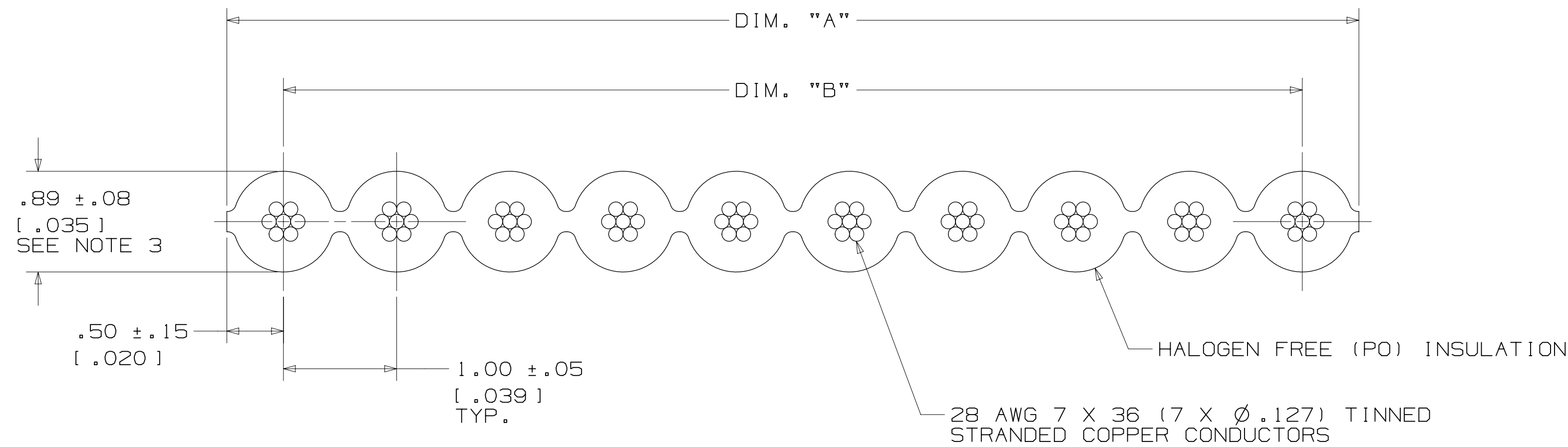


3M™ ROUND CONDUCTOR FLAT CABLE, HF625 SERIES

1MM, 28 AWG STRANDED, HALOGEN FREE PO



NUMBER OF CONDUCTORS	3M PART NUMBER	DIMENSION A	DIMENSION B
06	HF625/06	6.00±.20 [.236]	5.00±.18 [.197]
08	HF625/08	8.00±.20 [.315]	7.00±.18 [.276]
10	HF625/10	10.00±.20 [.394]	9.00±.18 [.354]
12	HF625/12	12.00±.20 [.472]	11.00±.18 [.433]
14	HF625/14	14.00±.20 [.551]	13.00±.18 [.512]
16	HF625/16	16.00±.22 [.630]	15.00±.20 [.591]
18	HF625/18	18.00±.22 [.709]	17.00±.20 [.669]
20	HF625/20	20.00±.22 [.787]	19.00±.20 [.748]
22	HF625/22	22.00±.22 [.866]	21.00±.20 [.827]
24	HF625/24	24.00±.22 [.945]	23.00±.20 [.906]
26	HF625/26	26.00±.22 [1.024]	25.00±.20 [.984]
28	HF625/28	28.00±.22 [1.102]	27.00±.20 [1.063]
30	HF625/30	30.00±.25 [1.181]	29.00±.23 [1.142]
32	HF625/32	32.00±.25 [1.260]	31.00±.23 [1.220]
34	HF625/34	34.00±.25 [1.339]	33.00±.23 [1.299]
36	HF625/36	36.00±.25 [1.417]	35.00±.23 [1.378]
38	HF625/38	38.00±.25 [1.496]	37.00±.23 [1.457]
40	HF625/40	40.00±.25 [1.575]	39.00±.23 [1.535]
42	HF625/42	42.00±.25 [1.654]	41.00±.23 [1.614]
44	HF625/44	44.00±.25 [1.732]	43.00±.23 [1.693]
46	HF625/46	46.00±.25 [1.811]	45.00±.23 [1.772]
48	HF625/48	48.00±.25 [1.890]	47.00±.23 [1.850]
50	HF625/50	50.00±.25 [1.969]	49.00±.23 [1.929]

ORDERING INFORMATION

HF625/XX XX

NUMBER OF CONDUCTORS — BLANK = STANDARD
(SEE TABLE 1) SF = SPLICE FREE

NOTE:
AVAILABLE IN STANDARD 30M AND 100M ROLLS.
PLEASE SPECIFY WHEN ORDERING. CONTACT 3M
FOR AVAILABILITY OF ADDITIONAL CONDUCTOR
COUNTS AND/OR CUSTOM ROLL LENGTHS.

3M ELECTRONICS MATERIALS SOLUTIONS DIVISION
INTERCONNECT SOLUTIONS
<http://www.3mconnectors.com>

3M IS A TRADEMARK OF 3M COMPANY.
FOR TECHNICAL, SALES OR ORDERING
INFORMATION CALL 800-225-5373



UL FILE NO: E42769
STYLE NO: 22089

MM [INCH]	
TOLERANCE - UNLESS NOTED	
	INCHES
MM	INCHES
±.3	±.13
	XXX
[] = DIM. FOR REFERENCE ONLY	

- * LOW SMOKE ZERO HALOGEN (LSZH). INSULATION ADVANTAGES OF LSZH INSULATION ARE THE LOW SMOKE (IEC 61034-2-2005) AND LOW TOXICITY OF COMBUSTION GASES (NF X 70-100-2:2006), REDUCING THE RISK TO FIREFIGHTERS AND REDUCING THE SOOT AND CORROSION DAMAGE TO NEARBY EQUIPMENT.
- * 28 AWG STRANDED CONDUCTORS ON 1MM PITCH PERMITS MASS TERMINATIONS TO A BROAD LINE OF METRIC IDC CONNECTORS.
- * ZIPPABLE FOR BRANCHING OR DISCRETE TERMINATIONS.

- NOTES
- REGULATORY INFORMATION: VISIT 3M.com/regs OR CONTACT YOUR 3M REPRESENTATIVE TO FIND THE RoHS COMPLIANCE STATUS OF THE 3M PART YOU ARE INTERESTED IN.
 - IN THE EVENT OF CONFLICT BETWEEN THIS DATA AND THAT CONTAINED IN THE PRODUCT SPECIFICATION, THE PRODUCT SPECIFICATION TAKES PRECEDENT.
 - BLUE MARKING ON ONE EDGE OF PRIMARY CABLE DESIGNATES WIRE #1.

2 PHYSICAL :

INSULATION MATERIAL: HALOGEN FREE POLYOLEFIN (PO)
COLOR: DARK GRAY

MARKING: NONE
STANDARD: NONE
CONDUCTORS: 28 AWG, 7 X 36 AWG [7 X $\phi .127$] TINNED STRANDED COPPER

2 ELECTRICAL :

VOLTAGE RATING: USA 300V CANADIAN 150V EU: <50V
INSULATION RESISTANCE: $>1 \times 10^{10} \Omega / 3m$ [10 FT.]

CHARACTERISTIC IMPEDANCE:	UNBALANCED 85 Ω	BALANCED 144 Ω
CAPACITANCE:	60.5 pF/ft [18.44 pF/m]	33.8 pF/ft [10.29 pF/m]
INDUCTANCE:	.43 μ H/ft [.13 μ H/m]	.69 μ H/ft [.21 μ H/m]
PROPAGATION DELAY:	5.15 ns/ft [1.57 ns/m]	4.86 ns/ft [1.48 ns/m]
VELOCITY OF PROPAGATION:	65%	69%

NOTE: UNBALANCED IS MEASURED BETWEEN GROUND-SIGNAL-GROUND CONDUCTORS.
BALANCED IS MEASURED BETWEEN CONDUCTORS WITHIN A PAIR.

2 ENVIRONMENTAL :

TEMPERATURE RATING: -40°C TO +105°C (EIA-364-32G, METHOD A, TEST CONDITION 2)
-10°C TO +90°C (UL TEMPERATURE RATING)

FLAMMABILITY RATING: UL: HORIZONTAL

HALOGEN FREE IS DEFINED AS BOTH 1) NO HALOGEN COMPOUNDS THAT ARE INTENTIONALLY ADDED TO THE PRODUCT OR USED IN THE MANUFACTURING PROCESS FOR THE PRODUCT AND 2) ANY IMPURITIES PRESENT ARE LESS THAN 900ppm BROMINE, LESS THAN 900ppm CHLORINE AND/OR LESS THAN 1500ppm TOTAL BROMINE AND CHLORINE. THE LATTER ARE THE LEVELS SET FORTH IN CERTAIN INDUSTRY STANDARDS FOR PRINTED CIRCUIT BOARDS, SUCH AS THE INTERNATIONAL ELECTROTECHNICAL COMMISSION (IEC) 61249-2-21 STANDARDS. THIS INFORMATION REPRESENTS 3M'S KNOWLEDGE AND BELIEF WHICH MAY BE BASED IN WHOLE OR IN PART ON INFORMATION PROVIDED BY 3RD PARTY SUPPLIERS TO 3M.

DESIGN REFERENCE	NEXT ASSEMBLY	REV	ECO	ISSUE DATE AND DESCRIPTION	DRFT	CHKD
				JUL 17, 2018 REVISED & REDRAWN	JNC	BM
DATE	DATE	DATE	DATE	DATE	DATE	DATE
				JUL 17, 2018		
DIVISION	DIVISION CODE					
DO NOT SCALE DRAWING	EMSD	TOLERANCES EXCEPT AS NOTED INCHES .00 ± .000 ± .0000 ± MILLIMETERS 0 ± .00 ± .000 ± .000 ±				
THIRD ANGLE PROJECTION	INTERPRET PER ASME Y14.5 - 2009	TITLE HF625 ROUND CONDUCTOR FLAT CABLE, 1MM, 28AWG STRANDED CAGE NUMBER D 78-5100-2338-1 MODEL HF625				
MAX SURFACE ROUGHNESS	MARKED ONLY	© 3M COPYRIGHT 2018 This document and the information it contains are 3M property and may not be reproduced or further distributed without 3M permission, or used or disclosed other than for 3M authorized purposes. All rights reserved.				
		DET [] IS [] YES [] NO [] SHT 1 OF 2				

8 7 6 5 4 3 2 1

3M™ ROUND CONDUCTOR FLAT CABLE, HF625 SERIES
 1MM, 28 AWG STRANDED, HALOGEN FREE P0

Regulatory: For regulatory information about this product, visit 3M.com/regs or contact your 3M representative.


Technical Information: The technical information, recommendations and other statements contained in this document are based upon tests or experience that 3M believes are reliable, but the accuracy or completeness of such information is not guaranteed.

Product Use: Many factors beyond 3M's control and uniquely within user's control can affect the use and performance of a 3M product in a particular application. Given the variety of factors that can affect the use and performance of a 3M product, user is solely responsible for evaluating the 3M product and determining whether it is fit for a particular purpose and suitable for user's method of application.

Warranty, Limited Remedy, and Disclaimer: Unless an additional warranty is specifically stated on the applicable 3M product packaging or product literature, 3M warrants that each 3M product meets the applicable 3M product specification at the time 3M ships the product. 3M MAKES NO OTHER WARRANTIES OR CONDITIONS, EXPRESS OR IMPLIED, INCLUDING, BUT NOT LIMITED TO, ANY IMPLIED WARRANTY OR CONDITION OF MERCHANTABILITY OR FITNESS FOR A PARTICULAR PURPOSE OR ANY IMPLIED WARRANTY OR CONDITION ARISING OUT OF A COURSE OF DEALING, CUSTOM OR USAGE OR TRADE. If the 3M product does not conform to this warranty, then the sole and exclusive remedy is, at 3M's option, replacement of the 3M product or refund of the purchase price.

Limitation of Liability: Except where prohibited by law, 3M will not be liable for any loss or damage arising from the 3M product, whether direct, indirect, special, incidental or consequential, regardless of the legal theory asserted, including warranty, contract, negligence or strict liability.

3M Electronics Materials Solutions Division
 6801 River Place Blvd.
 Austin, TX 78726-9000
 1-800-225-5373
 www.3M.com/interconnect

DESIGN REFERENCE	NEXT ASSEMBLY	REV	ECO	ISSUE DATE AND DESCRIPTION	DRFT	CHKD
		D	79845	JUL 17, 2018 REVISED & REDRAWN	JNC	BM
APPROVED	DATE	DATE	DATE	DATE	DATE	DATE
CHKD	DATE	DATE	DATE	DATE	DATE	DATE
DIVISION	DIVISION CODE	 © 3M COPYRIGHT 2018 This document and the information it contains are 3M property and may not be reproduced or further distributed without 3M permission, or used or disclosed other than for 3M authorized purposes. All rights reserved.				
DO NOT SCALE DRAWING	SCALE	TOLERANCES EXCEPT AS NOTED INCHES .00 ± .000 ± .0000 ± MILLIMETERS 0 ± .00 ± .000 ± .000 ±				
THIRD ANGLE PROJECTION	INTERPRET PER ASME Y14.5 - 2009	CAGE NUMBER DRAWING NO. REV. D 78-5100-2338-1 D				
MAX SURFACE ROUGHNESS	MARKED SURFACES	MODEL HF625 DET. YES <input type="checkbox"/> NO <input checked="" type="checkbox"/> SHT 2 OF 2				

78-5100-2338-1 DRAWING NUMBER
 D REVISION
 B
 A
 Time 11/12/2018 -- UTC Offset (hrs) 6