

AMRX-1500-1BWA

Ultra-slim Scrollwheel with 5-way Switch



Data Sheet



Description

Avago Technologies' AMRX-1500 provides an integrated solution for scrolling, directional navigation and push button selection in a compact and ultra-slim package. With ease of use in mind, AMRX-1500 is ideal for scrolling of menus in new handheld electronic devices, such as in mobile phones, music players, cameras, and entertainment consoles. Based on Avago Technologies' reflective optical technology, the motion sensor is non-contact and ensures reliable operations. The five tactile switches provide directional navigation and center selection from a list of menu. The aesthetic design of the scrollwheel is customizable to different colors and design features. Please refer to factory for further details.

Applications

- Handheld electronic devices
- Mobile phones
- Digital cameras and camcorders
- Entertainment consoles
- Handheld GPS or navigation devices
- Portable audio and video players
- Photo printers

Features

- Ultra-slim package
- Less than 2 mm height profile
- Typically at 18.5 mm diameter
- Integrated with four directional switches and a center push button
- Integrated with scroll wheel for scrolling operation
- Built-in illumination ring
- Two-Channel Quadrature Output
- 45 Cycles Per Revolution (CPR)
- 1.8V CMOS Logic Compatible Single-ended Output
- Single 2.4V to 3.3V supply
- Simple Power Down feature
- Easy assembly, no signal adjustment required
- Connectivity through flexible PCB
- Customizable aesthetic design
- RoHS compliant

AVAGO'S PRODUCTS AND SOFTWARE ARE NOT SPECIFICALLY DESIGNED, MANUFACTURED OR AUTHORIZED FOR SALE AS PARTS, COMPONENTS OR ASSEMBLIES FOR THE PLANNING, CONSTRUCTION, MAINTENANCE OR DIRECT OPERATION OF A NUCLEAR FACILITY OR FOR USE IN MEDICAL DEVICES OR APPLICATIONS. CUSTOMER IS SOLELY RESPONSIBLE, AND WAIVES ALL RIGHTS TO MAKE CLAIMS AGAINST AVAGO OR ITS SUPPLIERS, FOR ALL LOSS, DAMAGE, EXPENSE OR LIABILITY IN CONNECTION WITH SUCH USE.

WARNING: THESE DEVICES ARE ELECTROSTATIC DISCHARGE (ESD) SENSITIVE. THE FOLLOWING PRECAUTIONS ARE STRONGLY RECOMMENDED. ENSURE THAT AN ESD APPROVED CARRIER IS USED WHEN UNITS ARE TRANSPORTED FROM ONE DESTINATION TO ANOTHER. PERSONAL GROUNDING IS TO BE WORN AT ALL TIMES WHEN HANDLING THESE DEVICES. FAILURE TO OBSERVE PROPER ESD HANDLING PRECAUTIONS WILL VOID ALL WARRANTIES. REFER TO AVAGO APPLICATION NOTE A004R: ELECTROSTATIC DISCHARGE DAMAGE AND CONTROL.

Device Selection Guide ^{1, 2}

Part Number	Resolution (CPR)	Operating Temperature (°C)	Output Communication	Exterior Options	DC Supply Voltage (V)
AMRX-1500-1BWA	45	-25 to +80	CH A & B	Dial: Chrome-plated ; Push Button: Black; LED : White	+2.4 to +3.3

Notes:

1. Exterior color, material and illumination color are customizable.
2. For different product options, customized products and technical documents, please contact factory at mido.trsc@avagotech.com

Table 1. Absolute Maximum Ratings ^{1, 2}

Parameter	Symbol	Limits	Units/Standard
DC Supply Voltage	V _{CC}	1.8 to +4.5	V
Output Voltage	V _o	1.5 to +4.0	V
PDN Input Voltage	V _{PDN}	+1.2 to +V _{CC}	V
Operating temperature ^[3]	T _{op}	-25 to 80	°C
Storage Temperature	T _{stg}	-40 to 85	°C
ESD rating (Air Discharge) ^[4,5]		1.5kV	IEC-61000-4-2

Notes:

1. Stresses greater than those listed under Absolute Maximum Ratings may cause permanent damage to the device. This is stress rating only, and functional operation of the device at these or at any other conditions above than those indicated in the operational sections of this specification is not implied.
2. Exposure to absolute maximum rating conditions for extended periods may affect reliability.
3. Operating temperature range is subjected to customized finishing or coating.
4. ESD Contact Discharge <1kV for InGaN LED. Other components have higher ESD rating.
5. Options with higher ESD rating will be available soon. Please contact factory for further details.

Table 2. Recommended Operating Condition

Parameter	Symbol	Condition	Values			Units	Notes
			Min	Typ.	Max		
Ambient Temperature	T _{amb}		-20	25	70	°C	
DC Supply Voltage	V _{CC}		+2.4		+3.3	V	1
PDN Minimum Voltage for logic HIGH	V _{PDN_IH} (min)		+1.2		V _{CC}	V	2
PDN Maximum Voltage for logic LOW	V _{PDN_IL} (max)				0.4	V	2
Count Frequency				112.5	8k	Hz	(Velocity (rpm) x N)/60, 3
Rotary Dial Speed	S _{RPM}				150	rpm	3

Notes:

1. LED forward voltage, V_F=2.8V typical.
2. Set logic LOW to PDN pin to power down the device.
3. Typical value is referred to mechanically permissible speed, while maximum value is referred to electrically permissible speed.

Table 3. Electrical Characteristics

Electrical Characteristics over Recommended Operating Range, typical at 25 °C

Parameter	Symbol	Condition	Values			Units	Notes
			Min	Typ.	Max		
V _{CC} Supply Current	I _{CC}			7	10	mA	1
				30			
Power Down Current Consumption	I _{PDN}				4	μA	
Power Down State Output Leakage Current	I _{OZ}			<0.01		μA	
Output High Voltage	V _{OH}	I _{OH} = -230μA	1.5		2.9	V	
Output Low Voltage	V _{OL}	I _{OL} = 2.4mA			0.2	V	
		I _{OL} = 8mA			0.4	V	
PDN Turn On Delay	t _{D_PDN_ON}				1500	ns	
PDN Turn Off Delay	t _{D_PDN_OFF}				150	ns	
Quadrature Outputs Rise Time	t _r			500		ns	3
Quadrature Outputs Fall Time	t _f			250		ns	3
5-way Switch Contact Resistance		At 3VDC, 1mA			300	mΩ	
Insulation Resistance for 5-way Switch and Rotary Dial		DC100V 1 min between terminals	110			MΩ	
		DC100V 1 min between Rotary Dial and terminals	110			MΩ	
		DC 500V 1 min between terminals	550			MΩ	
		DC 500V 1 min between Rotary Dial and terminals	550			MΩ	
Withstand Voltage for 5-way Switch and Rotary Dial		AC120V for 1 sec between Rotary Dial and terminals			1	mA	No spark; No Trip Current
		AC120V for 1 sec between terminals			1	mA	No spark; No Trip Current
		AC500V for 1 sec between Rotary Dial and terminals			10	mA	No spark; No Trip Current
		AC500V for 1 sec between terminals			10	mA	No spark; No Trip Current

Notes:

1. Without illumination LED.
2. With illumination LED.
3. At CL = 33 pF .

Table 4. Mechanical Characteristics

Mechanical Characteristics over Recommended Operating Range, typical at 25 °C

Parameter	Symbol	Condition	Values			Units
			Min	Typ.	Max	
Rotational Life ^[1]	R _{LIFE}	Rotational Speed= 100RPM		2x10 ⁵		cycles
Switch Click Life ^[1]	C _{LIFE}	Push Location = on cover top, at switch location Push Force = 200gf		5 x10 ⁵		times
Permissible Rotational Angle	θ _A			360		°m
5-way switch button						
-Stroke				0.19		mm
-Operation force				200		gf
Overall Mass	M _{OVR}			0.002		Kg

Notes:

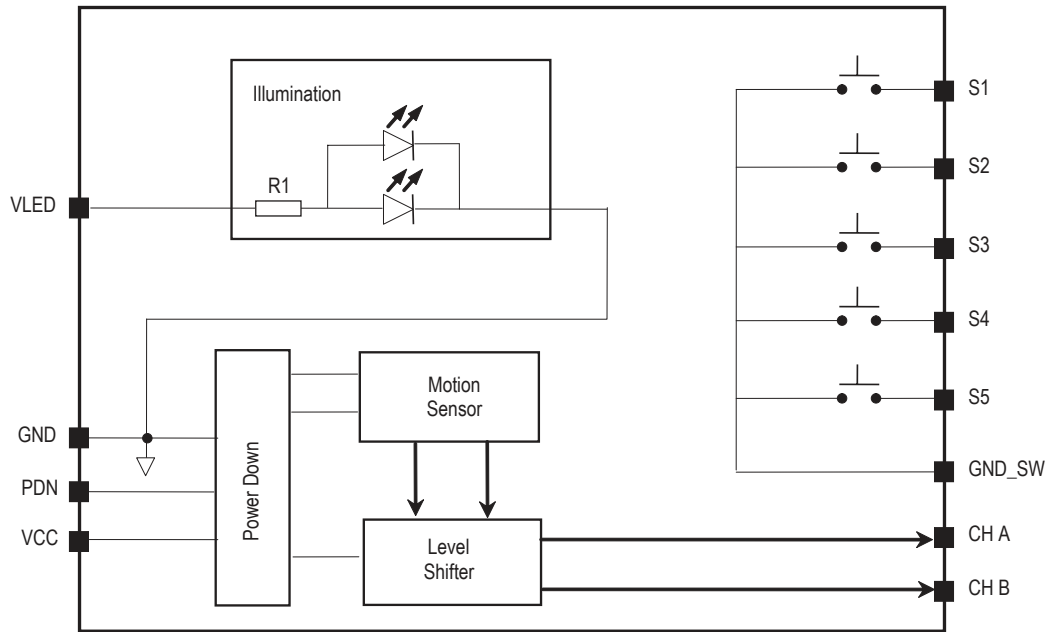
1. Options with higher rotational life and switch click life are available, please refer to factory.

Table 5. Encoding Characteristics

Encoding Characteristics over Recommended Operating Range, typical at 25°C. The typical values are average over the full rotation.

Parameter	Symbol	Condition	Values			Units
			Min	Typ.	Max	
Output Resolution	N			45		CPR
Pulse width Error	ΔP				50	°e
Logic State Width Error	ΔS				50	°e
Phase Error	Δφ				15	°e

Functional Block Diagram

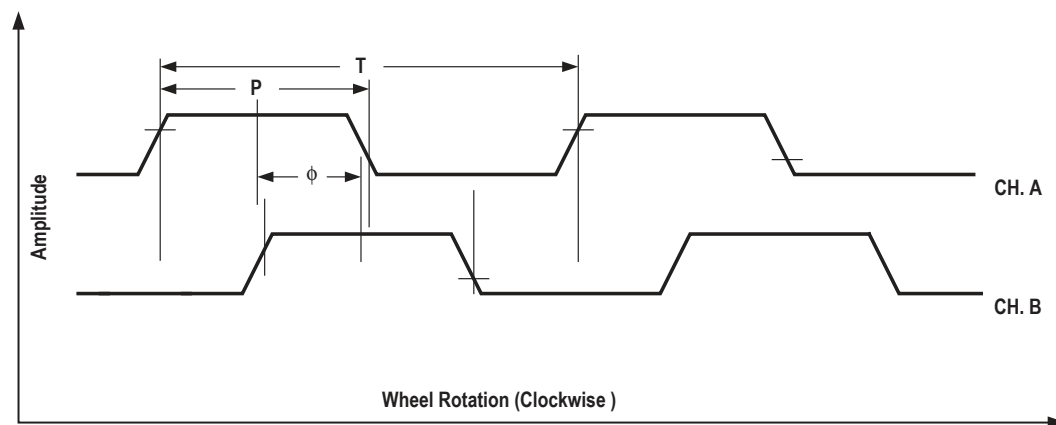


Notes:

1. R1 is current-limiting resistor for LEDs.

Figure 1. Functional Block Diagram

Scrollwheel Output Waveform



Notes:

2. CH A = Channel A; CH B = Channel B; T = electrical cycle ; P = pulse width ; ϕ = phase.

Figure 2. Output Waveform

Package Dimensions

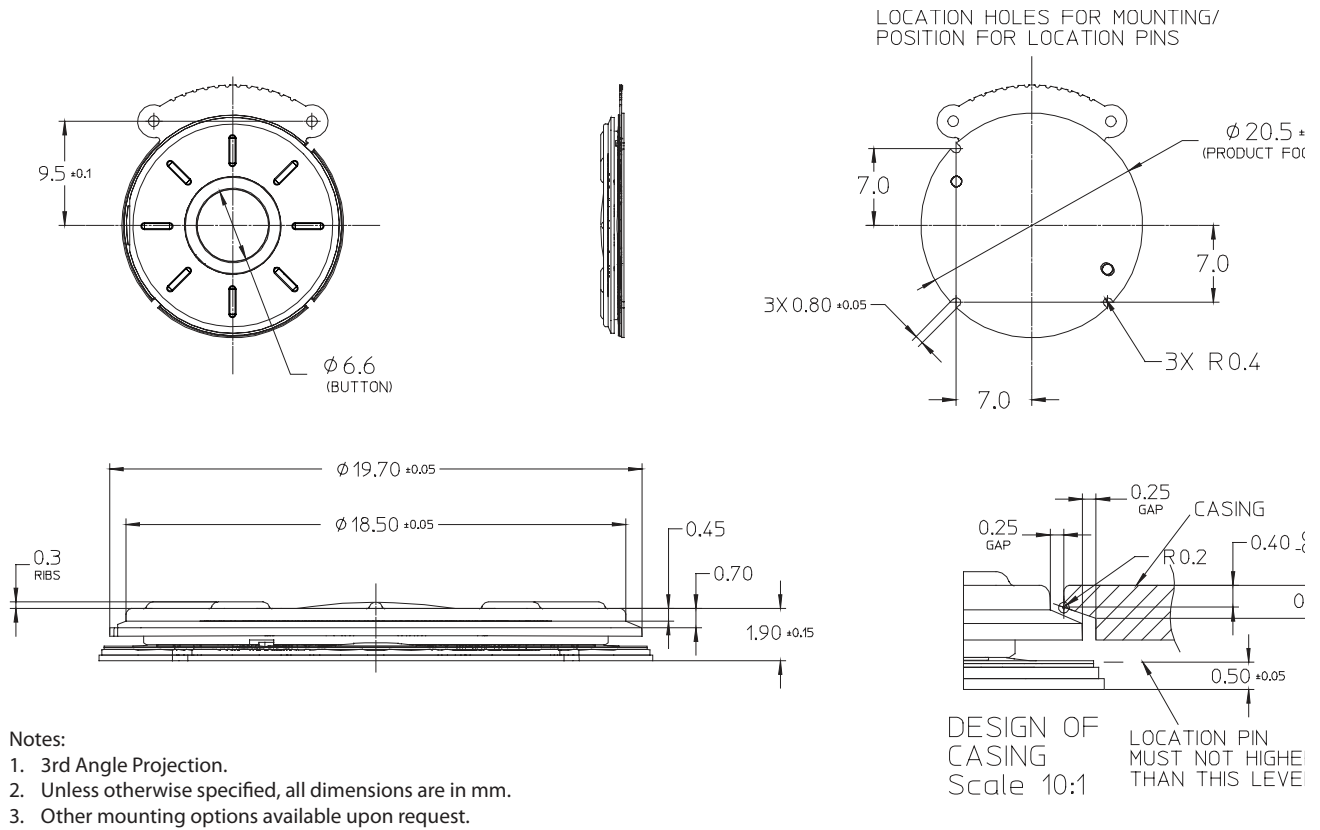


Figure 3. Package Dimensions

Electrical Connections

Pin	Symbol	Description
1	VLED	LED Anode
2	PDN	Power Down Control. LOW: Activate Power Down
3	S1	Connect to Switch 1 (S1)
4	S2	Connect to Switch 2 (S2)
5	S5	Connect to Switch 5 (S5)
6	GND_SW	Common Ground for S1,S2,S3,S4,S5
7	S4	Connect to Switch 4 (S4)
8	S3	Connect to Switch 3 (S3)
9	GND	Supply Ground
10	V _{CC}	Supply Voltage
11	CH A	Channel A
12	CH B	Channel B

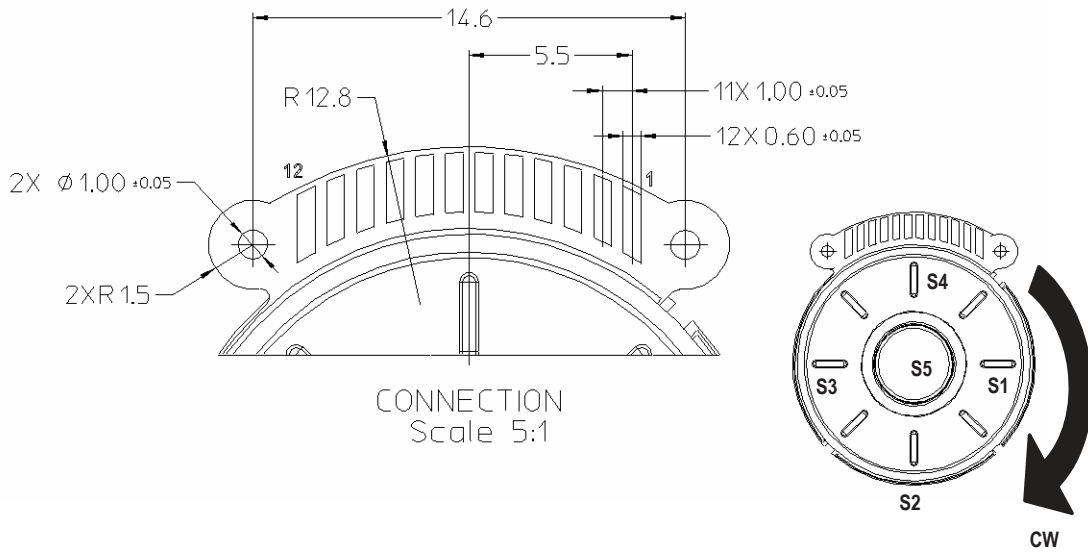
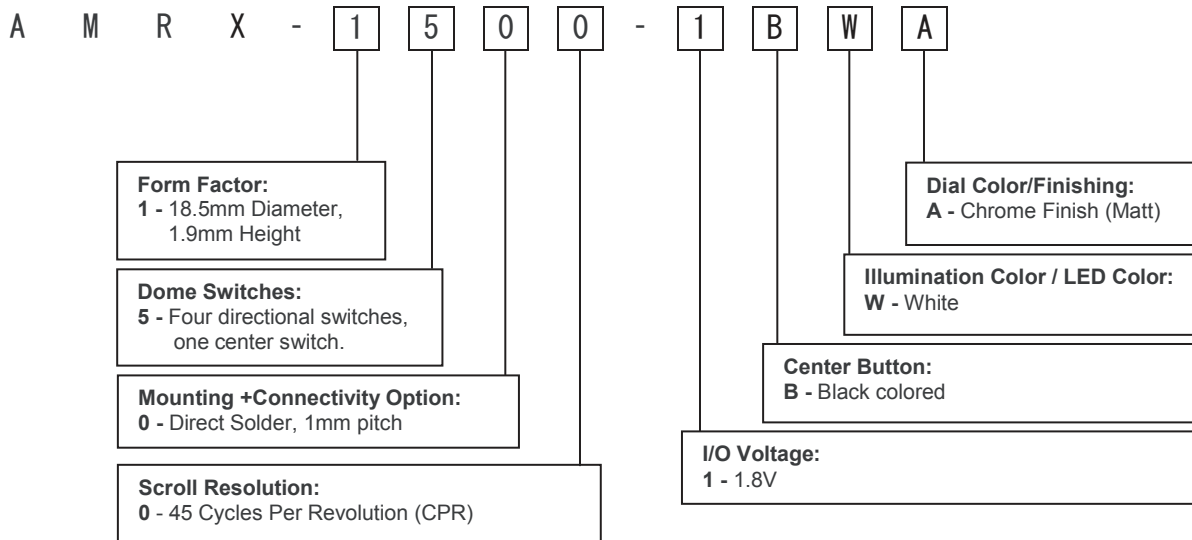


Figure 4. Electrical Connections

Ordering Information



For product information and a complete list of distributors, please go to our web site: www.avagotech.com

Avago, Avago Technologies, and the A logo are trademarks of Avago Technologies, Limited in the United States and other countries. Data subject to change. Copyright © 2007 Avago Technologies Limited. All rights reserved.
AV02-0369EN - April 26, 2007

AVAGO
TECHNOLOGIES