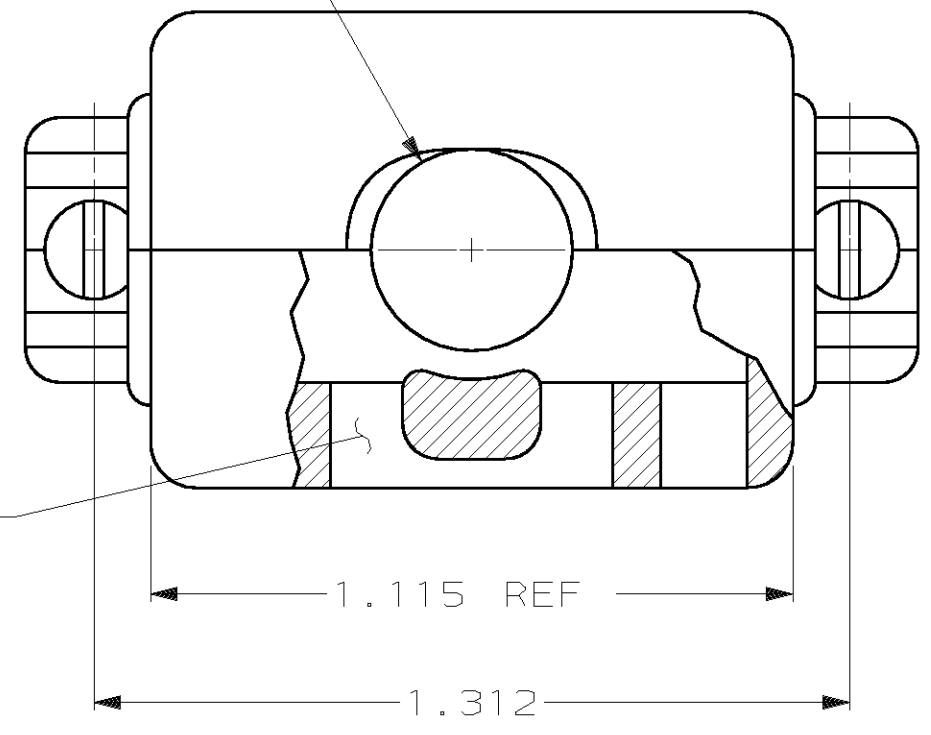


THIS DRAWING IS UNPUBLISHED. RELEASED FOR PUBLICATION ,19 .
 © COPYRIGHT 19 BY AMP INCORPORATED. ALL INTERNATIONAL RIGHTS RESERVED.

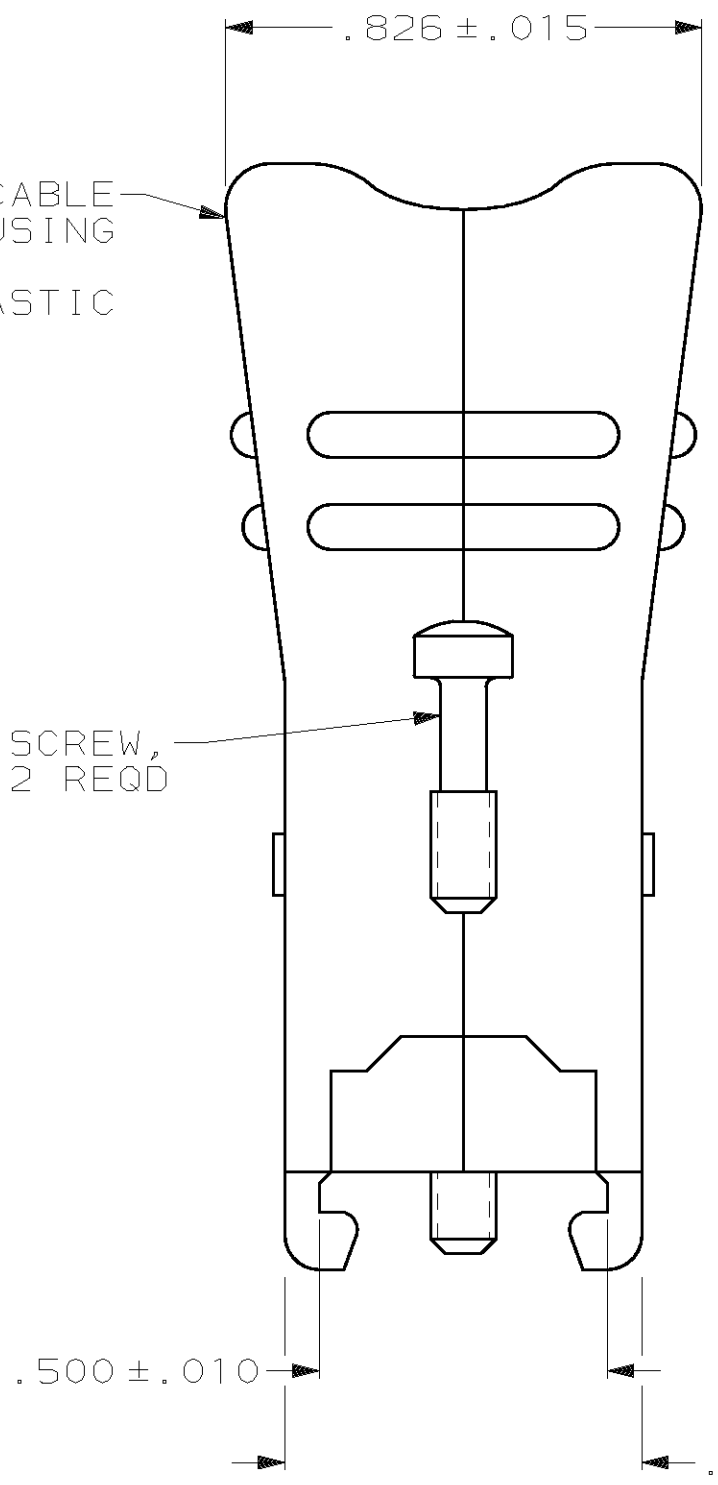
REVISIONS									
MOD	LOC	DIST	P	F	ZONE	LTR	DESCRIPTION	DATE	APPD
-	GP	00					REV PER EC OUID-0247-00	16 JAN 02	JR

.350 DIA MAX
CABLE OPENING



TWO PIECE CABLE
SUPPORT HOUSING
MATERIAL:
THERMOPLASTIC

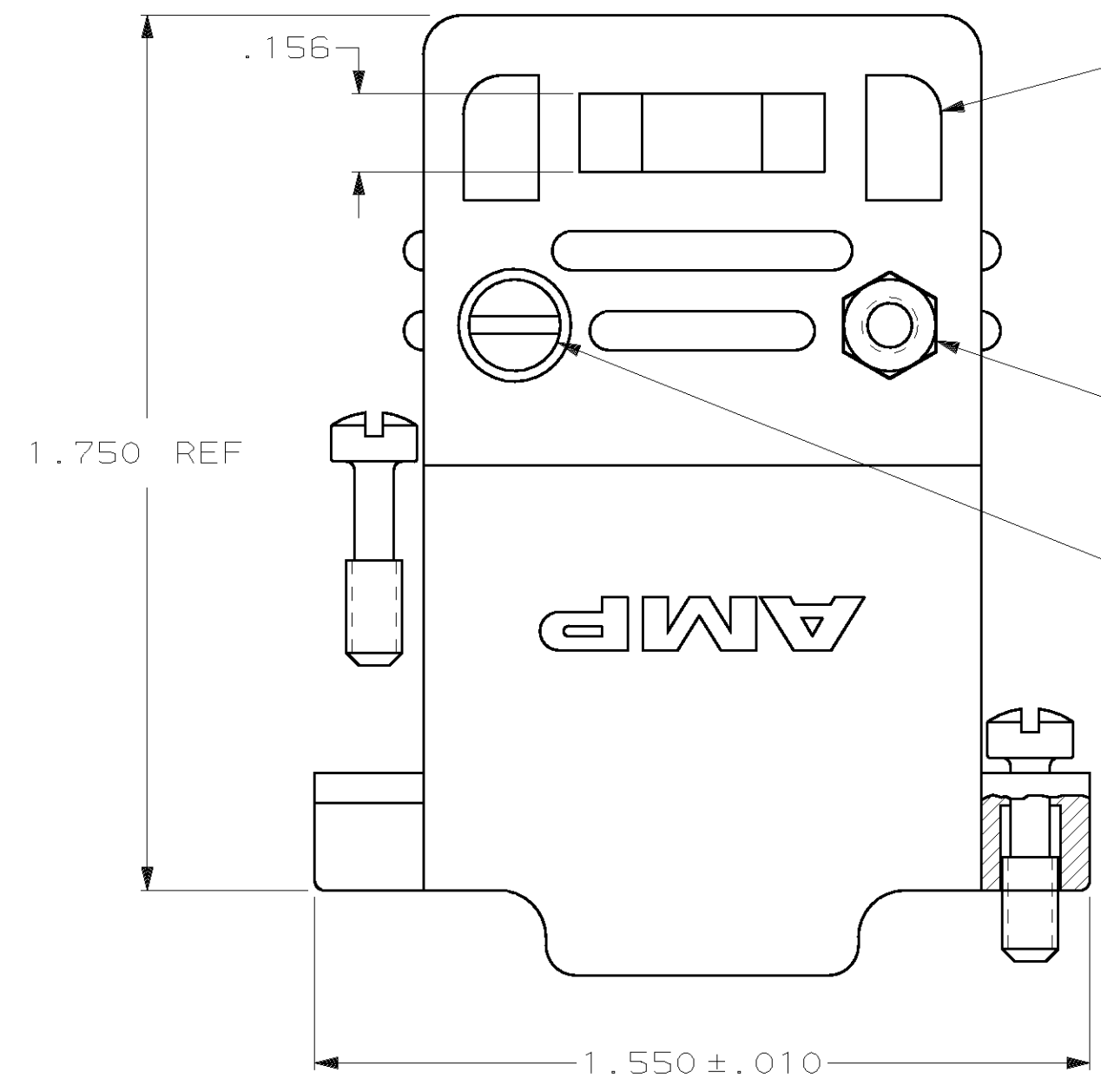
#4-40 CRS SCREW,
ZINC PLATED, 2 REQD



EXTERNAL CABLE
TIE OPENINGS.

#4-40 HEX NUT STEEL
ZINC PLATED, 2 REQD

#4-40 CRS SCREW,
ZINC PLATED, 2 REQD



OBSOLETE	3	206471-2
	AS SHOWN	206471-1
PACKAGING		PART NUMBER

- THIS PART WILL FIT ANY STANDARD SIZE 2 PLUG OR RECEPTACLE IN THE AMPLIMITE SERIES.
 - ALL PARTS ARE PACKAGED UNASSEMBLED.
- 3 SAME AS -1 EXCEPT EACH PART BULK PACKED, MINIMUM ORDER 10,000 KITS.

DO NOT SCALE PRINT. UNLESS SPECIFIED DIMENSIONS IN INCHES TOLERANCES ON : 2 PLC DEC ± - 3 PLC DEC ± .005 ANGLES ± -	DR 5-3-90 J GALLUCCI BG	AMP INCORPORATED Harrisburg, Pa. 17105		
MATERIAL SEE CALLOUT	CHK - APPD - APPD - PRODUCT SPEC -			NAME CABLE CLAMP ASSEMBLY, SIZE 2, 15 POSITION, AMPLIMITE™ HD-20
FINISH SEE CALLOUT	APPLICATION SPEC - WEIGHT -	SIZE C	FSCM NO 00779	DRAWING NO 206471
		SCALE 4:1	SHEET 1 OF 1	