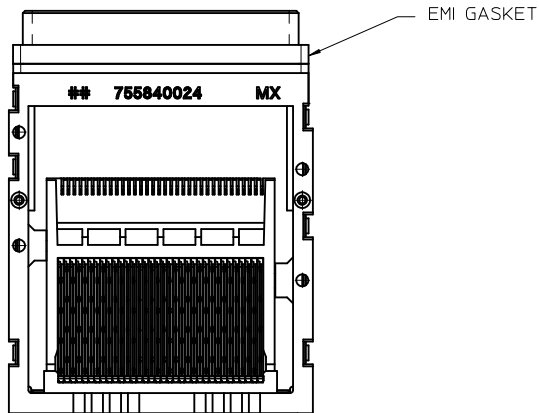
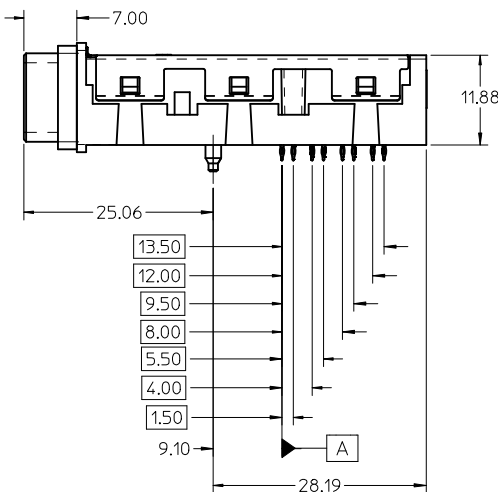
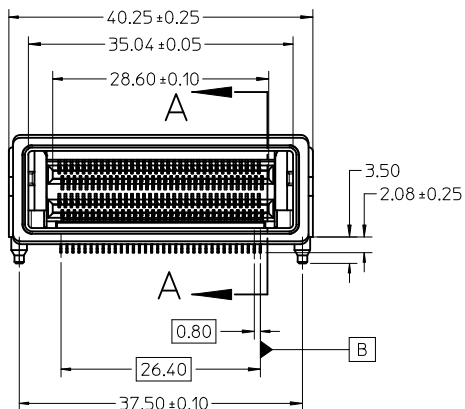


SECTION A-A

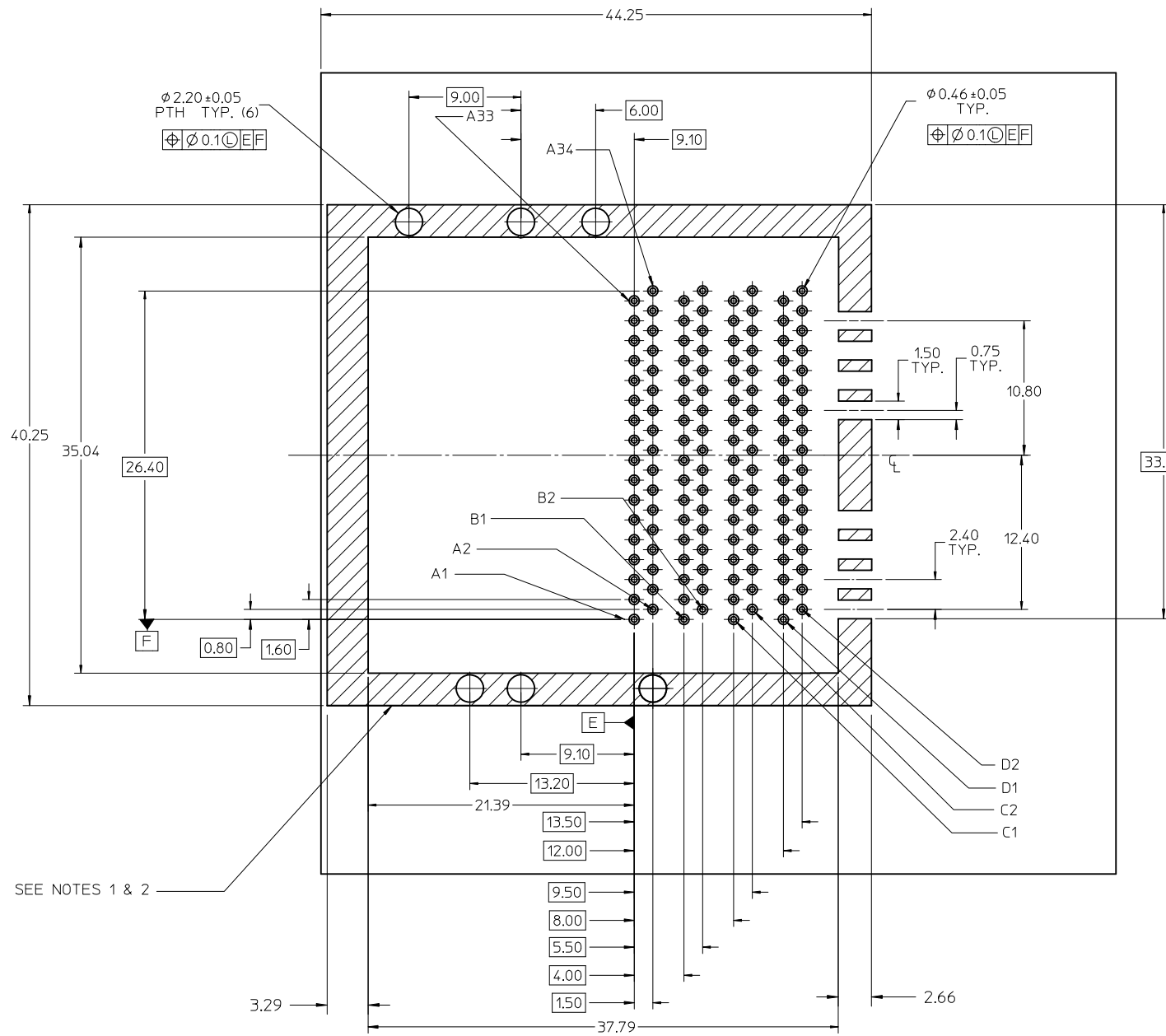
NOTES :

- MATERIALS :
CONNECTOR HOUSING - HIGH TEMP THERMOPLASTIC, GLASS FILLED, UL94V-0
EMI HOUSING - NICKEL PLATED DIE CAST ALLOY
COVER - STAINLESS STEEL ALLOY
EMI GASKET - CONDUCTIVE POLYMER
- PLATING OPTIONS :
(A) CONTACT AREA - 0.38µm MIN GOLD OVER 2.54 µm MIN NICKEL
(B) CONTACT AREA - 0.76µm MIN GOLD OVER 2.54 µm MIN NICKEL
(C) COMPLIANT TAIL AREA - 0.76 - 1.52 µm TIN/LEAD (90/10) OVER 1.27 µm MIN NICKEL.
(D) COMPLIANT TAIL AREA - 0.76 - 1.52 µm TIN (90/10) OVER 1.27 µm MIN NICKEL.
- PRODUCT SPECIFICATION : PS-75586-001
- THIS CONNECTOR IS DESIGNED TO MATE WITH MOLEX CABLE SERIES 74546.
- PACKAGING SPECIFICATION : TRAY PACK PER PK-75581-001
- MOUNTING HARDWARE REQ'D : M2x8mm CAP SCREWS (4)



PART NUMBER	CONTACT PLATING	COMPLIANT PLATING
75581-0001	A - 0.38µm GOLD	C - 0.76-1.52µm SnPb
75581-0002	B - 0.76µm GOLD	C - 0.76-1.52µm SnPb
75581-0008	A - 0.38µm GOLD	D - 0.76-1.52µm Sn
75581-0009	B - 0.76µm GOLD	D - 0.76-1.52µm Sn

±0.25 WAS ±0.13 EC NO: UCP2011-3307 DRW/KLANG 2011/04/26 CHKD: APPR: MBANAKIS 2011/07/06 DESCRIPTION REV: H1	QUALITY SYMBOLS 	GENERAL TOLERANCES (UNLESS SPECIFIED) <table border="1"> <tr> <th></th> <th>mm</th> <th>INCH</th> </tr> <tr> <td>4 PLACES</td> <td>± ---</td> <td>± ---</td> </tr> <tr> <td>3 PLACES</td> <td>± ---</td> <td>± ---</td> </tr> <tr> <td>2 PLACES</td> <td>± 0.13</td> <td>± ---</td> </tr> <tr> <td>1 PLACE</td> <td>± 0.25</td> <td>± ---</td> </tr> </table> ANGULAR ±1/2°		mm	INCH	4 PLACES	± ---	± ---	3 PLACES	± ---	± ---	2 PLACES	± 0.13	± ---	1 PLACE	± 0.25	± ---	DIMENSION STYLE MM ONLY DRAWN BY: KREGNIER DATE: 10/21/04 CHECKED BY: DATE:	SCALE: 2:1 DESIGN UNITS: METRIC THIRD ANGLE PROJECTION	TITLE: 16X PCIE I-PASS CONNECTOR FAMILY 0.80 MM PITCH I/O MOLEX INCORPORATED	SHEET NO. 1 OF 3
		mm	INCH																		
	4 PLACES	± ---	± ---																		
	3 PLACES	± ---	± ---																		
2 PLACES	± 0.13	± ---																			
1 PLACE	± 0.25	± ---																			
DRAFT WHERE APPLICABLE MUST REMAIN WITHIN DIMENSIONS		APPROVED BY: RNELSON DATE: 10/28/04 MATERIAL NO. SEE CHART DOCUMENT NO. SD-75581-001	THIS DRAWING CONTAINS INFORMATION THAT IS PROPRIETARY TO MOLEX INCORPORATED AND SHOULD NOT BE USED WITHOUT WRITTEN PERMISSION																		



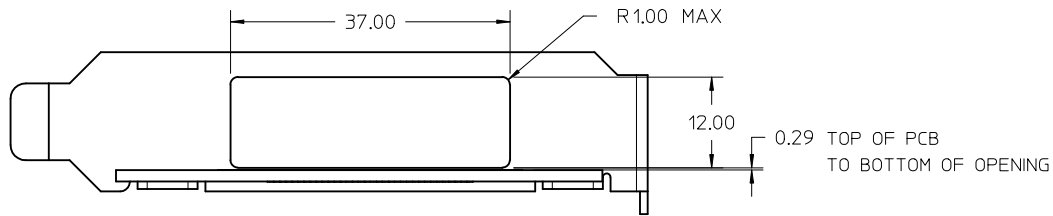
NOTES :

1. CROSS HATCHED AREA TO BE CONDUCTIVE ON THE PCB.
2. CROSS HATCHED AREA MUST BE INCORPORATED IN THE FLAT ROCK PRESS-FIT TOOLING.

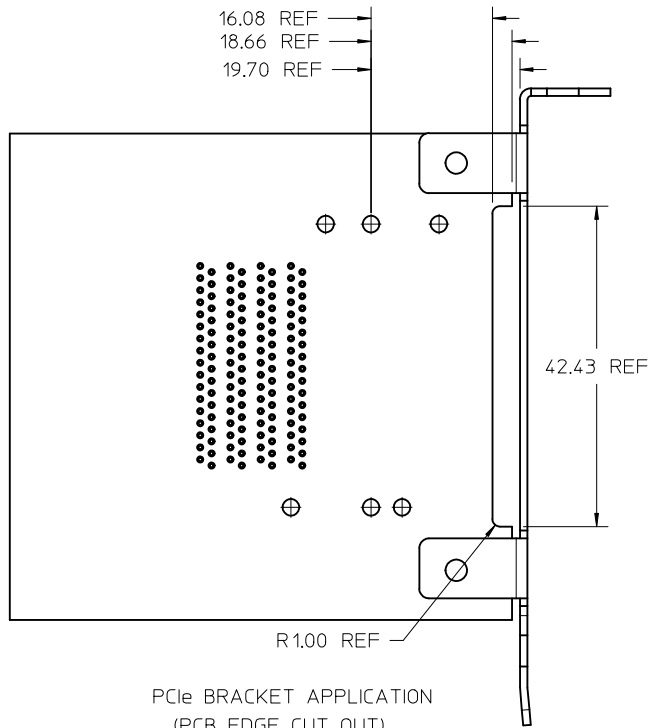
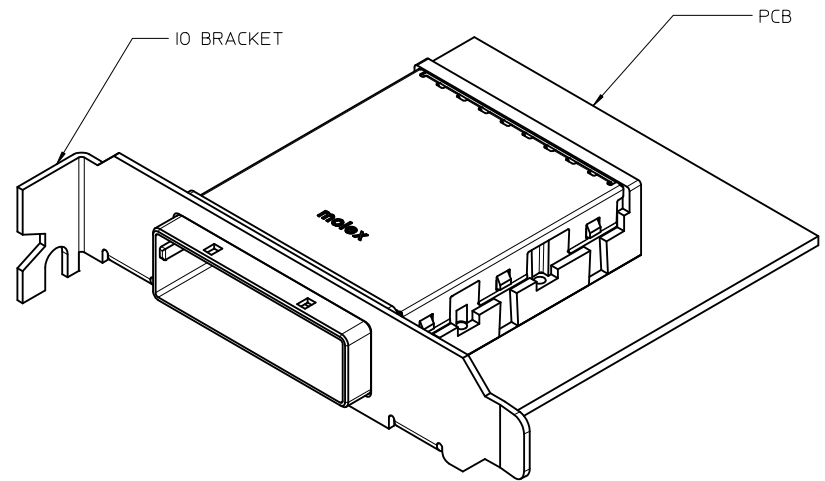
SEE NOTES 1 & 2

RECOMMENDED PCB LAYOUT : COMPONENT SIDE SHOWN
 PCB THICKNESS : 1.35mm MIN.

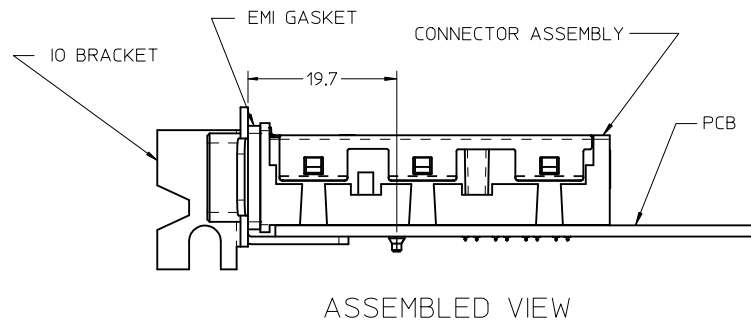
SEE SHEET 1 EC NO: UCP2011-33007 DRW/KLNG 2011/04/26 CHKD: APPR:MBANAKIS 2011/07/06 REV: H1	QUALITY SYMBOLS $\nabla F=0$ $\nabla E=0$	GENERAL TOLERANCES (UNLESS SPECIFIED) <table border="1"> <tr> <th></th> <th>mm</th> <th>INCH</th> </tr> <tr> <td>4 PLACES</td> <td>± ---</td> <td>± ---</td> </tr> <tr> <td>3 PLACES</td> <td>± ---</td> <td>± ---</td> </tr> <tr> <td>2 PLACES</td> <td>± 0.13</td> <td>± ---</td> </tr> <tr> <td>1 PLACE</td> <td>± 0.25</td> <td>± ---</td> </tr> </table>		mm	INCH	4 PLACES	± ---	± ---	3 PLACES	± ---	± ---	2 PLACES	± 0.13	± ---	1 PLACE	± 0.25	± ---	DIMENSION STYLE MM ONLY DRAWN BY: KREGNIER DATE: 10/21/04 CHECKED BY: _____ DATE: _____	SCALE: 4:1 DESIGN UNITS: METRIC THIRD ANGLE PROJECTION	TITLE: 16X PCIe I-PASS CONNECTOR FAMILY 0.80 MM PITCH I/O MOLEX INCORPORATED
		mm	INCH																	
	4 PLACES	± ---	± ---																	
	3 PLACES	± ---	± ---																	
2 PLACES	± 0.13	± ---																		
1 PLACE	± 0.25	± ---																		
DRAFT WHERE APPLICABLE MUST REMAIN WITHIN DIMENSIONS	MATERIAL NO.: SEE CHART	APPROVED BY: RNELSON DATE: 10/28/04	DOCUMENT NO.: SD-75581-001	SHEET NO.: 2 OF 3																
SIZE: C	THIS DRAWING CONTAINS INFORMATION THAT IS PROPRIETARY TO MOLEX INCORPORATED AND SHOULD NOT BE USED WITHOUT WRITTEN PERMISSION																			



IO BRACKET CUT-OUT
(NOT SUPPLIED)



PCIe BRACKET APPLICATION
(PCB EDGE CUT OUT)



ASSEMBLED VIEW

SEE SHEET 1 EC NO: UCP2011-3307 DRW: DRW:KLANG 2011/04/26 CHKD: APPR: MBANAKIS 2011/07/06 H1	QUALITY SYMBOLS ▽=0 ▽=0	GENERAL TOLERANCES (UNLESS SPECIFIED) <table border="1"> <thead> <tr> <th></th> <th>mm</th> <th>INCH</th> </tr> </thead> <tbody> <tr> <td>4 PLACES</td> <td>± ---</td> <td>± ---</td> </tr> <tr> <td>3 PLACES</td> <td>± ---</td> <td>± ---</td> </tr> <tr> <td>2 PLACES</td> <td>± 0.13</td> <td>± ---</td> </tr> <tr> <td>1 PLACE</td> <td>± 0.25</td> <td>± ---</td> </tr> </tbody> </table>		mm	INCH	4 PLACES	± ---	± ---	3 PLACES	± ---	± ---	2 PLACES	± 0.13	± ---	1 PLACE	± 0.25	± ---	DIMENSION STYLE MM ONLY DRAWN BY: KREGNIER DATE: 10/21/04 CHECKED BY: _____ DATE: _____	SCALE: 2:1 DESIGN UNITS: METRIC THIRD ANGLE PROJECTION	TITLE: 16X PCIe I-PASS CONNECTOR FAMILY 0.80 MM PITCH I/O MOLEX INCORPORATED DOCUMENT NO. SD-75581-001 SHEET NO. 3 OF 3
		mm	INCH																	
	4 PLACES	± ---	± ---																	
	3 PLACES	± ---	± ---																	
2 PLACES	± 0.13	± ---																		
1 PLACE	± 0.25	± ---																		
DRAFT WHERE APPLICABLE MUST REMAIN WITHIN DIMENSIONS	ANGULAR ±1/2°	APPROVED BY: RNELSON DATE: 10/28/04	MATERIAL NO. SEE CHART	MOLEX INCORPORATED	THIS DRAWING CONTAINS INFORMATION THAT IS PROPRIETARY TO MOLEX INCORPORATED AND SHOULD NOT BE USED WITHOUT WRITTEN PERMISSION															