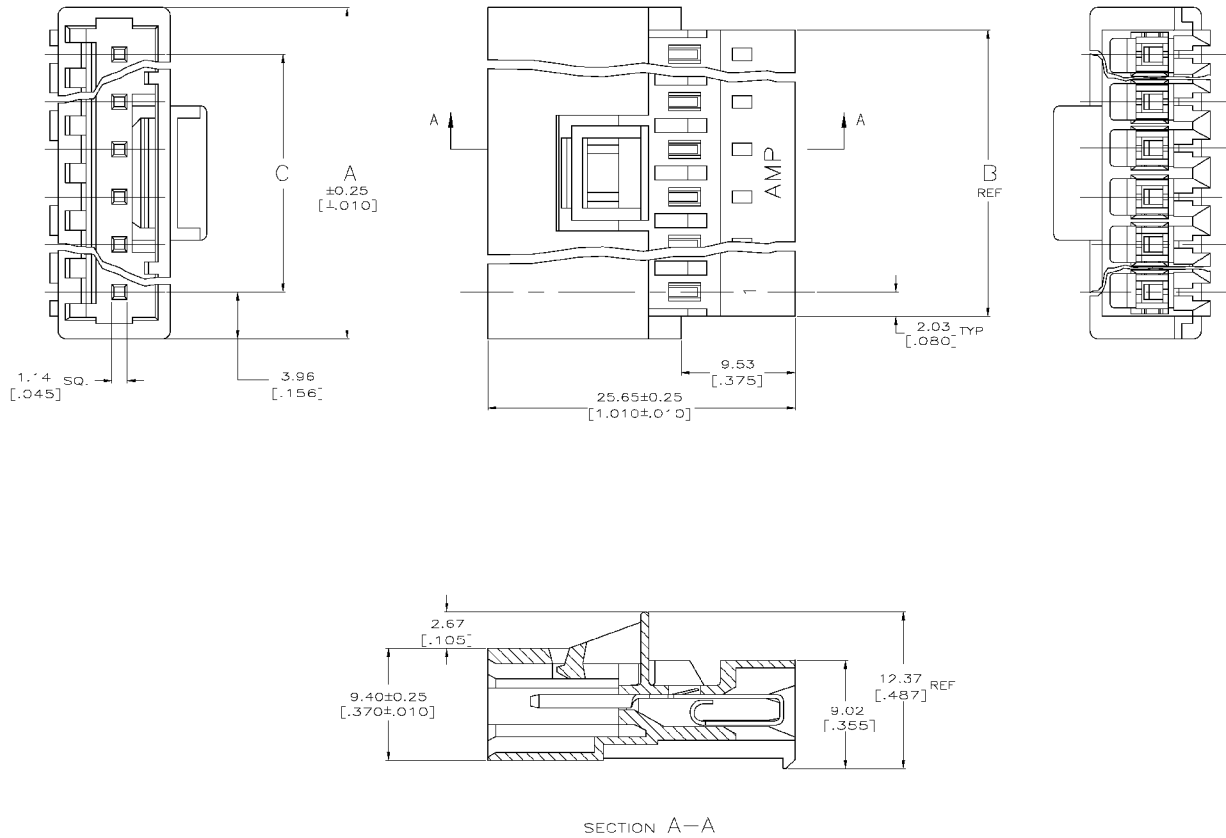


THIS DRAWING IS UNCONTROLLED. RELEASED FOR FABRICATION. ALL RIGHTS RESERVED.

REV	DATE	DESCRIPTION	BY	CHK	APP
1	13AUG03	REV PER ECN 0028-0398-03	SC	DB	

- MATERIAL: CONNECTOR - NYLON UL94-V2 (ORANGE)
CONTACTS - 0.30[.012] THICK COPPER ALLOY (BRIGHT TIN-LEAD 0.00203[.000060] MIN. THICK FOR CONTACTS 641435-2 T-IRU 2-641435-4). (BRIGHT TIN PLATE 0.00305[.00020] MIN. THICK FOR CONTACTS 3-641435-2 THRU 5-641435-4).
- CONTACTS ACCEPT #18 AWG SOLID, FUSED STRANDED OR STRANDED (7 STRANDS) WIRE WITH 2.41 [.095] MAX INSULATION DIA.
- BOW, IN ANY DIRECTION, NOT TO EXCEED 0.15 [.006] PER IN.
- HOUSING FEATURES: CLOSED END.
- DIMENSIONS IN BRACKETS ARE IN INC.-ES.



YES	91.14	[3.588]	95.20	[3.748]	99.06	[3.900]	24	5-641435-4
YES	55.47	[2.184]	59.54	[2.344]	63.40	[2.496]	15	4-641435-5
YES	43.59	[1.716]	47.65	[1.876]	51.51	[2.028]	12	4-641435-2
YES	31.70	[1.248]	35.76	[1.408]	39.62	[1.560]	9	3-641435-9
YES	19.81	[.780]	23.88	[.940]	27.74	[1.092]	6	3-641435-6
YES	11.89	[.468]	15.95	[.628]	19.61	[.780]	4	3-641435-4
YES	7.92	[.312]	11.99	[.472]	15.85	[.624]	3	3-641435-3
YES	3.96	[.156]	8.03	[.316]	11.89	[.468]	2	3-641435-2
NC	91.14	[3.588]	95.20	[3.748]	99.06	[3.900]	24	2-641435-4
NC	55.47	[2.184]	59.54	[2.344]	63.40	[2.496]	15	1-641435-5
NC	43.59	[1.716]	47.65	[1.876]	51.51	[2.028]	12	1-641435-2
NC	31.70	[1.248]	35.76	[1.408]	39.62	[1.560]	9	641435-9
NC	19.81	[.780]	23.88	[.940]	27.74	[1.092]	6	641435-6
NC	11.89	[.468]	15.95	[.628]	19.61	[.780]	4	641435-4
NC	7.92	[.312]	11.99	[.472]	15.85	[.624]	3	641435-3
NC	3.96	[.156]	8.03	[.316]	11.89	[.468]	2	641435-2
LEADFREE	C	B	A				NO. OF CIRCUITS	PART NO.



THIS DRAWING IS A CONTROLLED DOCUMENT. DATE: 13AUG2003. DRAWN BY: J. GARDNER. CHECKED BY: J. GARDNER. DATE: 13AUG2003. DIVISION: 01000000. PROJECT: 01000000. PRODUCT SPEC: 01000000. APPLICATION SPEC: 01000000. SCALE: 5:1. SHEET: 1 OF 1. CUSTOMER DRAWING.

Supernova Two Electronics Corporation, Harrisburg, PA 17109. MTA 156 POSTED CONNECTOR ASSEMBLY, 18 AWG. REV: A1, 00779, 641435.

KAC BUSINESS GROUP 3223 177-21, WORK BANNED