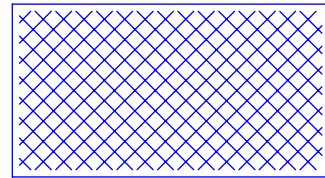


NOTES:

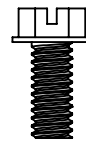
1. RACK GROUNDING EQUIPMENT JUMPER KIT
PART NUMBER: RGEJ1036PFY, RGEJ1096PF
2. ALL COMPONENTS THAT MAKE UP THIS KIT
ARE RoHS COMPLIANT.



CLEANING PAD (QTY. 1)



5cc TUBE ANTI-OXIDANT PASTE (QTY. 1)



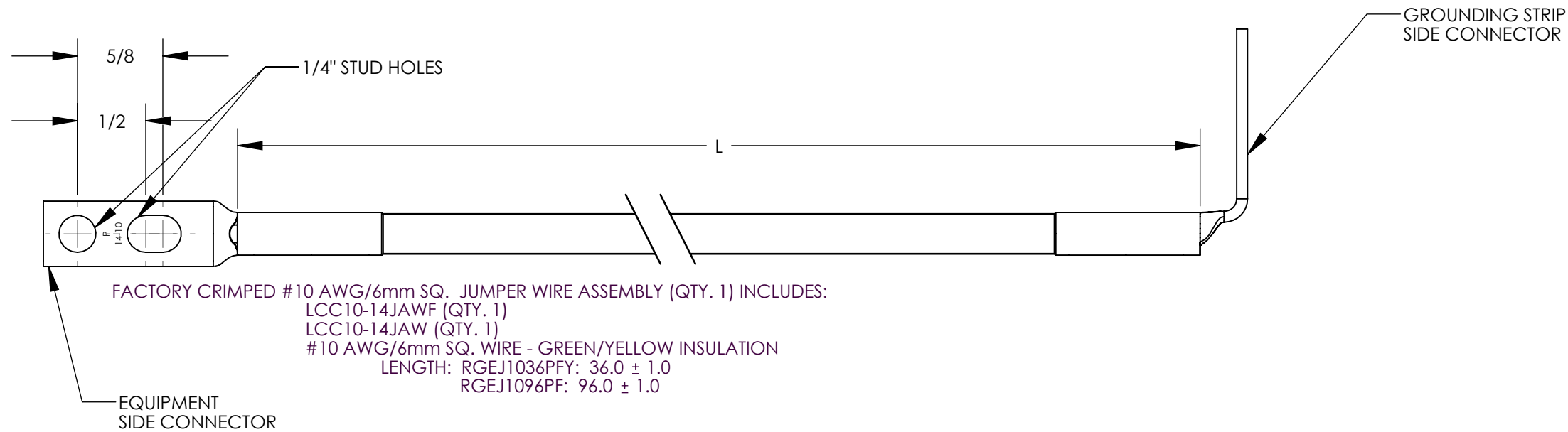
#12-24, M6, #10-32, & M5
SLOTTED HEX-HEAD ZINC PLATED
THREAD-FORMING SCREW (QTY. 2 OF EACH)



LISTED
GROUNDING AND BONDING EQUIPMENT



CERTIFIED



						PANDUIT CORP. TINLEY PARK, ILLINOIS			
						EQUIPMENT JUMPER (RGEJ1036PFY, RGEJ1096PF) CUSTOMER DRAWING			
03	12/12	JHNU	RGB	ADDED RGEJ1096PF	N41645BB-C41645	RGB	RGB	UNLESS OTHERWISE SPECIFIED DIMENSIONAL TOLERANCES ARE: (.X) ± (.XXX) ± (.XX) ± ANGLES ±	UNLESS OTHERWISE SPECIFIED, ALL DIMENSIONS ARE GIVEN IN INCHES, THIRD ANGLE PROJECTION
02	9/06	JHNU	CSH	REVISED NOTE 2: ADDED PACKAGE & CARTON WEIGHT	PC00542				
01	3/06	JHNU	CSH	REMOVED CE SYMBOL FROM DRAWING	PC00362			DRAWN BY JHNU	SCALE NONE
00	2/06	JHNU	CSH	DRAWING RELEASED	PC00325			DATE 2/06	DRAWING NO / CAD FILE C41645_03
REV	DATE	BY	CHK	DESCRIPTION	ECN	-R	SUP	CHK'D	DWG B SIZE