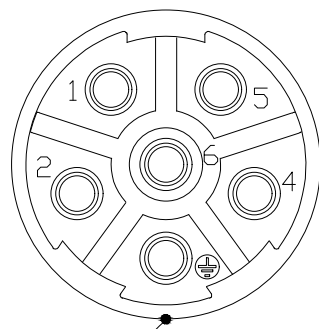


FEMALE END VIEW



1=L1  
2=L2  
PE=GN/YE  
4=L3  
5=BK  
6=WH

GROUND CONNECTED TO HOUSING

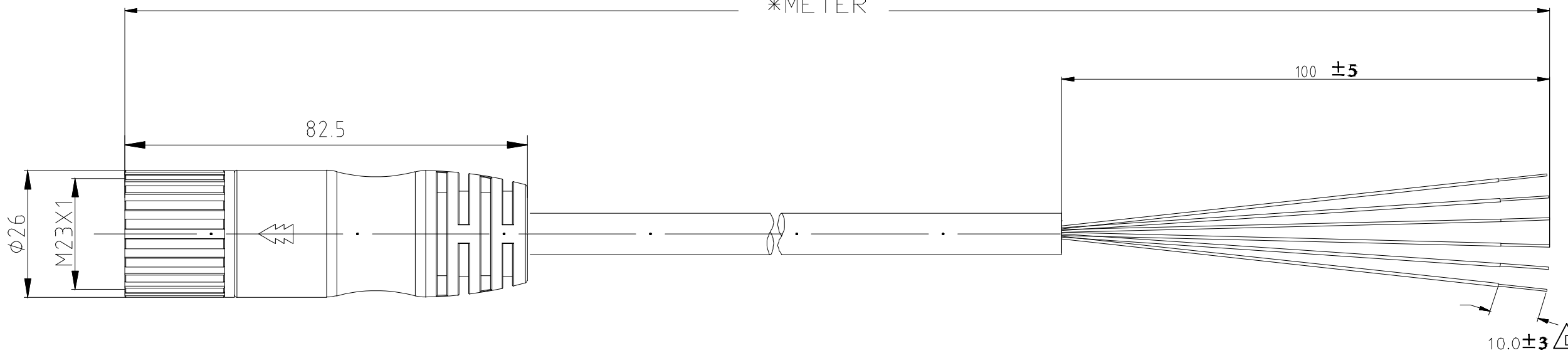
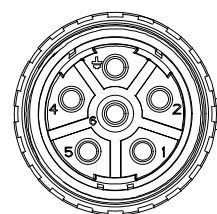
HARTING P/N	Revision	Cable length(mm)
21373800676050	01	5000 <sup>+200</sup> <sub>-0</sub>
21373800676100	01	10000 <sup>+400</sup> <sub>-0</sub>

SPECIFICATIONS

CONTACT CARRIER MATERIAL/COLOR	PBT/WHITE
MOLDED HEAD MATERIAL/COLOR	TPU/BLACK
CONTACT MATERIAL/COLOR	BRASS/SILVER
COUPLING NUT MATERIAL/PLATING	ZINC ALLOY/NICKEL
RATED CURRENT	14A
RATED VOLTAGE	630V
OUTER CABLR JACKET MATERIAL/COLOR	PUR/DRANGE
CONDUCTOR INSULATION MATERIAL	PVC
NUMBER OF CONDUCTORS (AWG)	4G1.5+(2x1.5)
OPERATING TEMPERATURE	-40°C — +80°C
PROTECTION CLASS	IEC IP67



\*METER



	All Dimensions in mm	Tech. Character.		Free size tol.		According to production drawing	
	All rights reserved	Created by LINI	Inspected by LIANL	Standardisation LIANL	Date 2021-09-03	State Final release	
	Department HCS - CN	Title M23_6P FE,int-thread,STR PUR cable,xxM				Doc-Key / ECM-Nr. /	
	HARTING Customised Solutions	Type TB	Number 2137 38 00 6 76 XXX			Rev. D	Page 1/1
D	Revised stripping tolerance (ECN21405)	Ivy Lin	09/03/21				
C	Change raw cable supplier (ECN21375)	Ivy Lin	08/10/21				
B	Update connector view (ECN20097)	Ivy Lin	04/13/20				
A	First issue.	Lucy Zheng	06/04/19				
Rev.	Description	Appr.	Date				