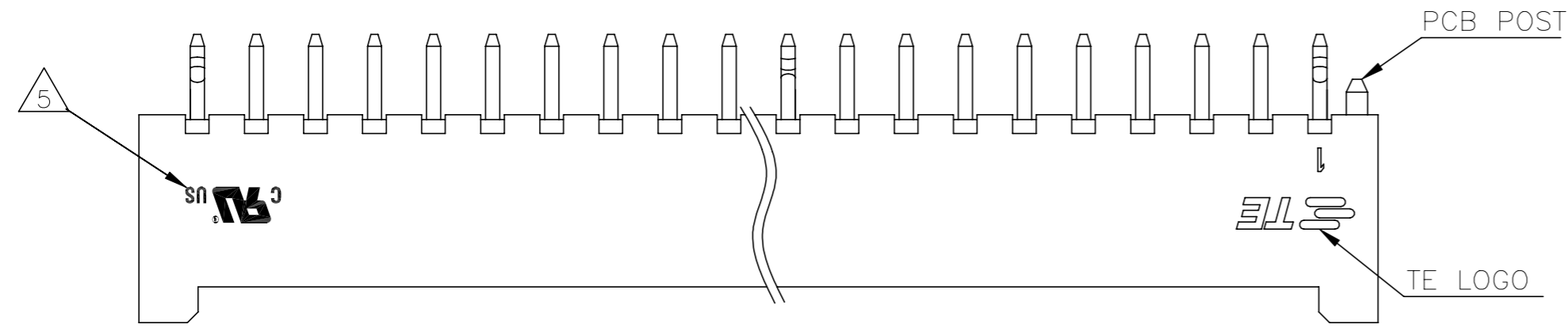
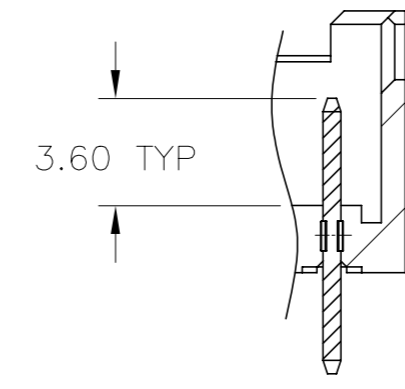
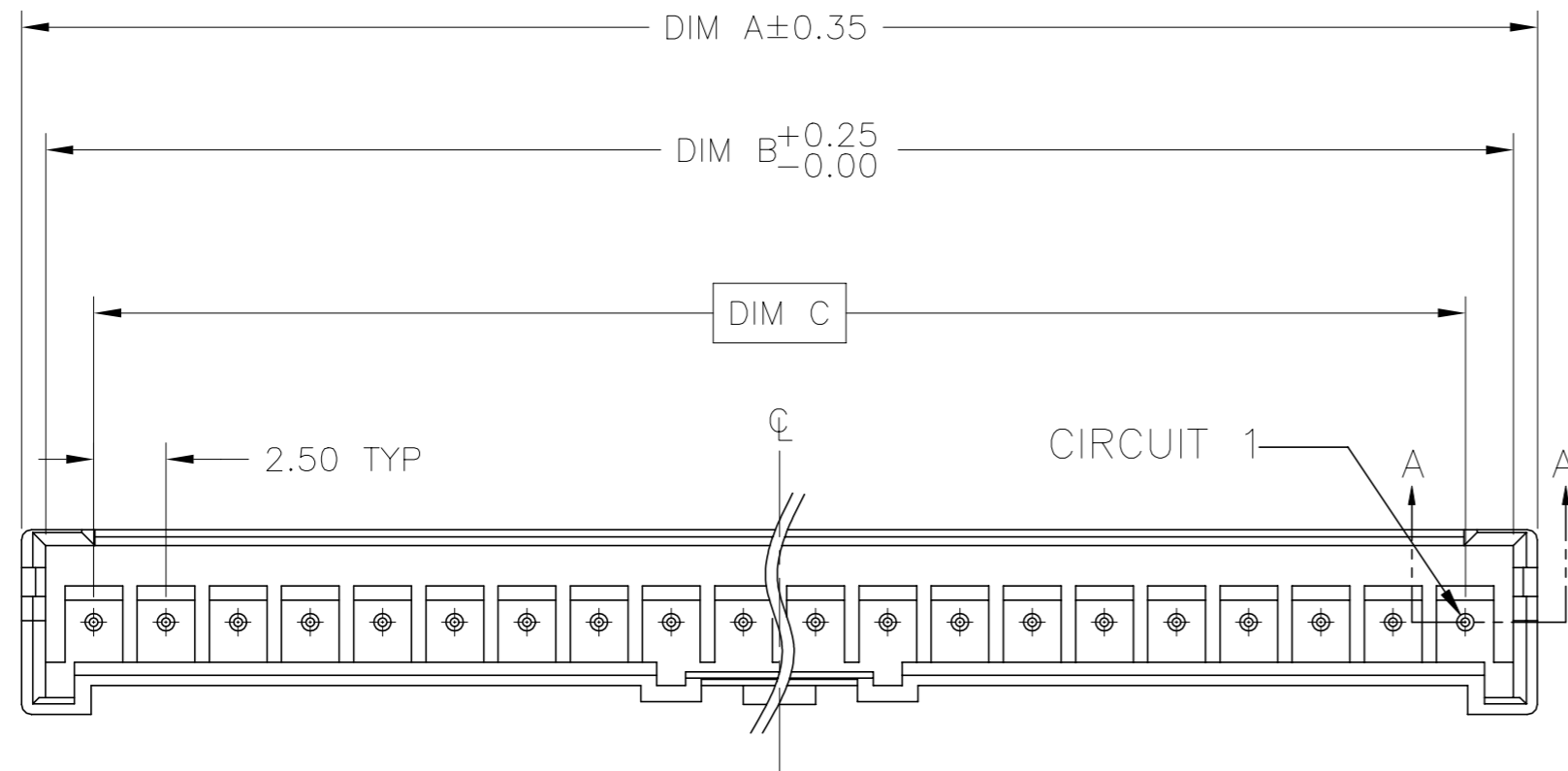


THIS DRAWING IS UNPUBLISHED. RELEASED FOR PUBLICATION
 © COPYRIGHT - By - ALL RIGHTS RESERVED.

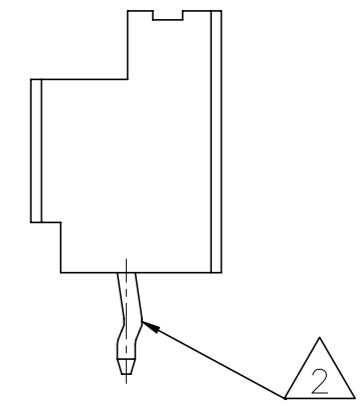
| REVISIONS | | | | | |
|-----------|-----|---------------------------|-----------|-----|------|
| P | LTR | DESCRIPTION | DATE | DWN | APVD |
| | A2 | REVISED PER ECR-20-101158 | 24DEC2020 | SK | DZ |



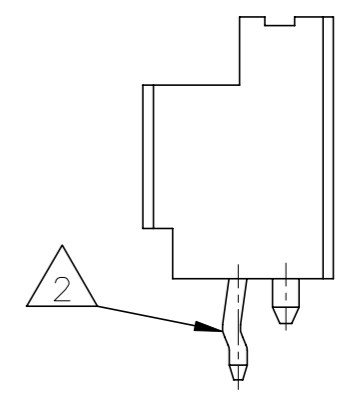
- 1 MATERIAL: HOUSING: PBT, UL94 V-0, TERMINAL: BRASS, NICKEL UNDER PLATING, Tin PLATING ON PIN AREA.
- 2 CONTACT SOLDER TAIL KINK DIRECTION (BOARLOCK) SEE BELOW TABLE.
- 3 RECOMMENDED MATING PART: []-2338183-[]
- 4 DIMENSIONS SHOWN REPRESENT PRODUCT IN DRY, AS MOLDED, CONDITION. ADDITIONAL 2% GROWTH DUE TO SUBSEQUENT MOISTURE
- 5 PARTS ARE UL-1977 CERTIFIED.



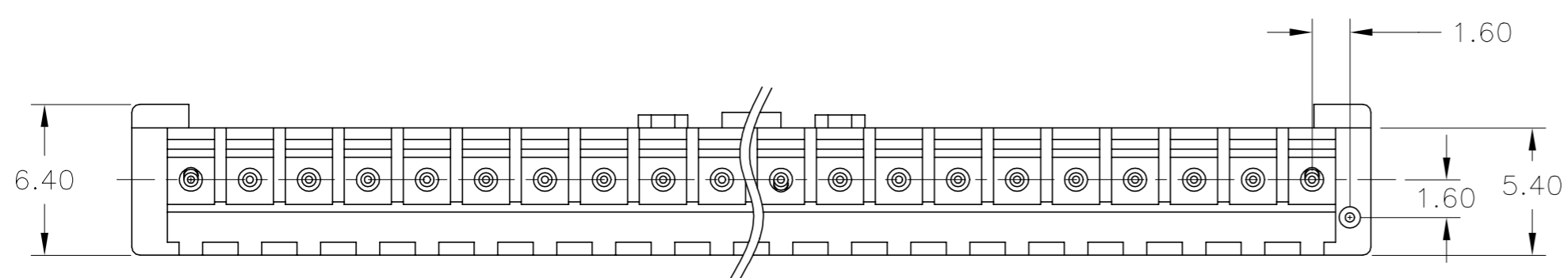
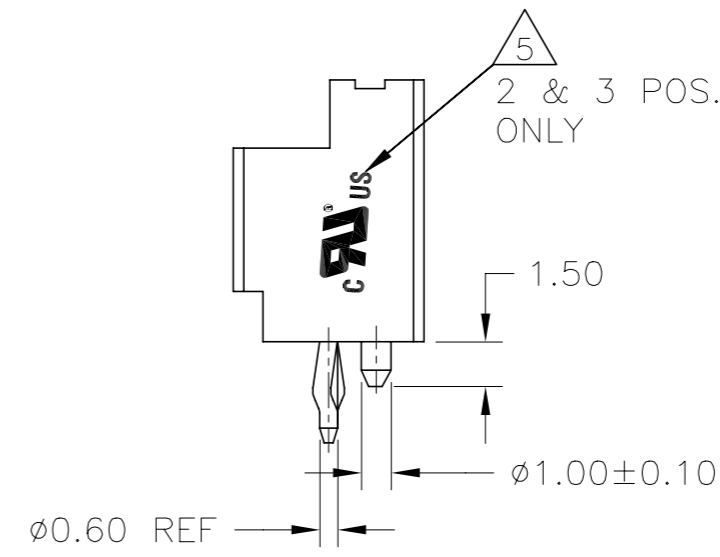
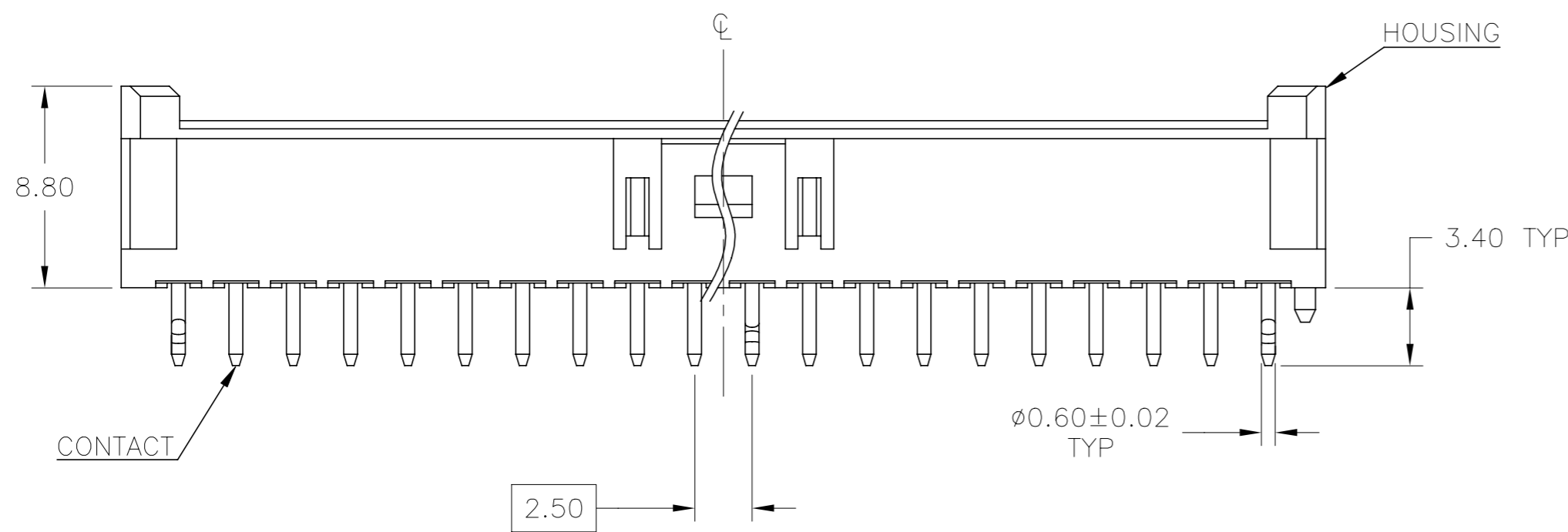
SECTION A-A



MIDDLE



SIDE



| | | | | |
|--|-------------|---------------------------|-----------------------|-----------------|
| THIS DRAWING IS A CONTROLLED DOCUMENT. | | DWN WARREN HUO 22OCT18 | | |
| DIMENSIONS: mm | | CHK DANIEL ZHANG 25OCT18 | | |
| TOLERANCES UNLESS OTHERWISE SPECIFIED: | | APVD DANIEL ZHANG 25OCT18 | NAME | |
| 0 PLC ± - | 1 PLC ± - | PRODUCT SPEC | 108-2418 | |
| 2 PLC ± 0.20 | 3 PLC ± - | APPLICATION SPEC | 114-13315 | |
| 4 PLC ± - | ANGLES ± 3° | WEIGHT - | SIZE A2 | CAGE CODE 00779 |
| MATERIAL 1 | FINISH 1 | CUSTOMER DRAWING | DRAWING NO. C=2338245 | RESTRICTED TO - |
| | | | SCALE N/A | SHEET 1 OF 2 |
| | | | | REV A2 |

4

3

2

1

THIS DRAWING IS UNPUBLISHED.

RELEASED FOR PUBLICATION

ALL RIGHTS RESERVED.

© COPYRIGHT - By -

REVISIONS

| P | LTR | DESCRIPTION | DATE | DWN | APVD |
|---|-----|-------------|------|-----|------|
| - | - | SEE SHEET 1 | - | - | - |

PRODUCT PROFILE

RECOMMENDED PCB LAYOUT

2 POSITION

3 POSITION

4 POSITION

5 POSITION

N= 6 THRU 20 POSITION

2

● STANDARD DIRECTION

○ NO KINK

| | | |
|---------------------------------|-----|-----|
| ● | ● | 2P |
| ● | ○ | 3P |
| ● | ○ | 4P |
| ● | ○ | 5P |
| ● | ○ | 6P |
| ● | ○ | 7P |
| ● | ○ | 8P |
| ● | ○ | 9P |
| ● | ○ | 10P |
| ● | ○ | 11P |
| ● | ○ | 12P |
| ● | ○ | 13P |
| ● | ○ | 14P |
| ● | ○ | 15P |
| ● | ○ | 16P |
| ● | ○ | 17P |
| ● | ○ | 18P |
| ● | ○ | 19P |
| ● | ○ | 20P |
| 2019181716151413121110987654321 | POS | |

| | | | | | | | | |
|-------|-------|-------|-----|---------------------|----------------------|-----------------------|------------------------|-----------------------|
| 47.50 | 50.83 | 52.50 | 20 | 2-2338245-0 | 4-2338245-0 | 6-2338245-0 | 8-2338245-0 | 2338245-1 |
| 45.00 | 48.33 | 50.00 | 19 | 1-2338245-9 | 3-2338245-9 | 5-2338245-9 | 7-2338245-9 | 9-2338245-9 |
| 42.50 | 45.83 | 47.50 | 18 | 1-2338245-8 | 3-2338245-8 | 5-2338245-8 | 7-2338245-8 | 9-2338245-8 |
| 40.00 | 43.33 | 45.00 | 17 | 1-2338245-7 | 3-2338245-7 | 5-2338245-7 | 7-2338245-7 | 9-2338245-7 |
| 37.50 | 40.83 | 42.50 | 16 | 1-2338245-6 | 3-2338245-6 | 5-2338245-6 | 7-2338245-6 | 9-2338245-6 |
| 35.00 | 38.33 | 40.00 | 15 | 1-2338245-5 | 3-2338245-5 | 5-2338245-5 | 7-2338245-5 | 9-2338245-5 |
| 32.50 | 35.83 | 37.50 | 14 | 1-2338245-4 | 3-2338245-4 | 5-2338245-4 | 7-2338245-4 | 9-2338245-4 |
| 30.00 | 33.33 | 35.00 | 13 | 1-2338245-3 | 3-2338245-3 | 5-2338245-3 | 7-2338245-3 | 9-2338245-3 |
| 27.50 | 30.83 | 32.50 | 12 | 1-2338245-2 | 3-2338245-2 | 5-2338245-2 | 7-2338245-2 | 9-2338245-2 |
| 25.00 | 28.33 | 30.00 | 11 | 1-2338245-1 | 3-2338245-1 | 5-2338245-1 | 7-2338245-1 | 9-2338245-1 |
| 22.50 | 25.83 | 27.50 | 10 | 1-2338245-0 | 3-2338245-0 | 5-2338245-0 | 7-2338245-0 | 9-2338245-0 |
| 20.00 | 23.33 | 25.00 | 9 | 2338245-9 | 2-2338245-9 | 4-2338245-9 | 6-2338245-9 | 8-2338245-9 |
| 17.50 | 20.83 | 22.50 | 8 | 2338245-8 | 2-2338245-8 | 4-2338245-8 | 6-2338245-8 | 8-2338245-8 |
| 15.00 | 18.33 | 20.00 | 7 | 2338245-7 | 2-2338245-7 | 4-2338245-7 | 6-2338245-7 | 8-2338245-7 |
| 12.50 | 15.83 | 17.50 | 6 | 2338245-6 | 2-2338245-6 | 4-2338245-6 | 6-2338245-6 | 8-2338245-6 |
| 10.00 | 13.33 | 15.00 | 5 | 2338245-5 | 2-2338245-5 | 4-2338245-5 | 6-2338245-5 | 8-2338245-5 |
| 7.50 | 10.83 | 12.50 | 4 | 2338245-4 | 2-2338245-4 | 4-2338245-4 | 6-2338245-4 | 8-2338245-4 |
| 5.00 | 8.33 | 10.00 | 3 | 2338245-3 | 2-2338245-3 | 4-2338245-3 | 6-2338245-3 | 8-2338245-3 |
| 2.50 | 5.83 | 7.50 | 2 | 2338245-2 | 2-2338245-2 | 4-2338245-2 | 6-2338245-2 | 8-2338245-2 |
| DIM C | DIM B | DIM A | POS | PART NO (RED COLOR) | PART NO (BLUE COLOR) | PART NO (BLACK COLOR) | PART NO (YELLOW COLOR) | PART NO (GREEN COLOR) |

THIS DRAWING IS A CONTROLLED DOCUMENT.

DWN WARREN HUO 22OCT18

CHK DANIEL ZHANG 25OCT18

APVD DANIEL ZHANG 25OCT18

NAME

PRODUCT SPEC

APPLICATION SPEC

114-13315

WEIGHT

CUSTOMER DRAWING

TE Connectivity

TE Connectivity

HEADER ASSEMBLY, EP2.5 SINGLE ROW

VERTICAL, WITH BOSS, COLORED, UL VERSION

SIZE CAGE CODE DRAWING NO RESTRICTED TO

A2 00779 C=2338245

SCALE N/A SHEET 2 of 2 REV A2

DIMENSIONS:

TOLERANCES UNLESS OTHERWISE SPECIFIED:

0 PLC ± -

1 PLC ± -

2 PLC ± 0.20

3 PLC ± -

4 PLC ± -

ANGLES ± 5°

MATERIAL

FINISH

1471-9 (1/15)