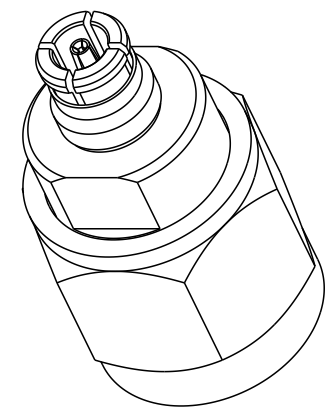
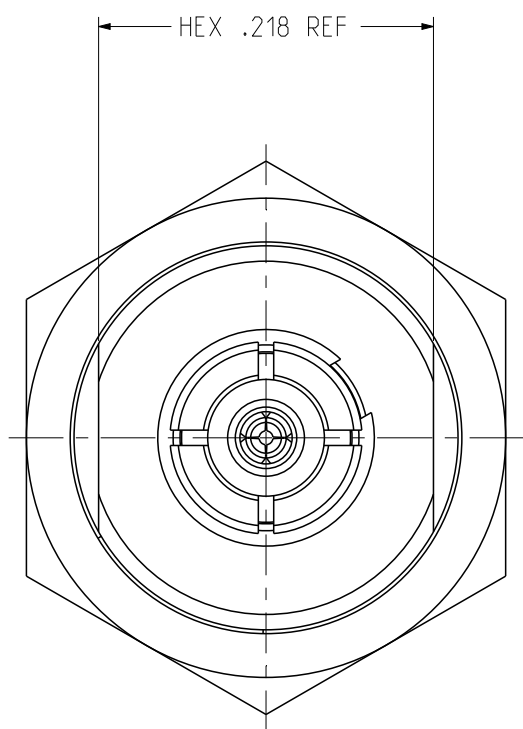
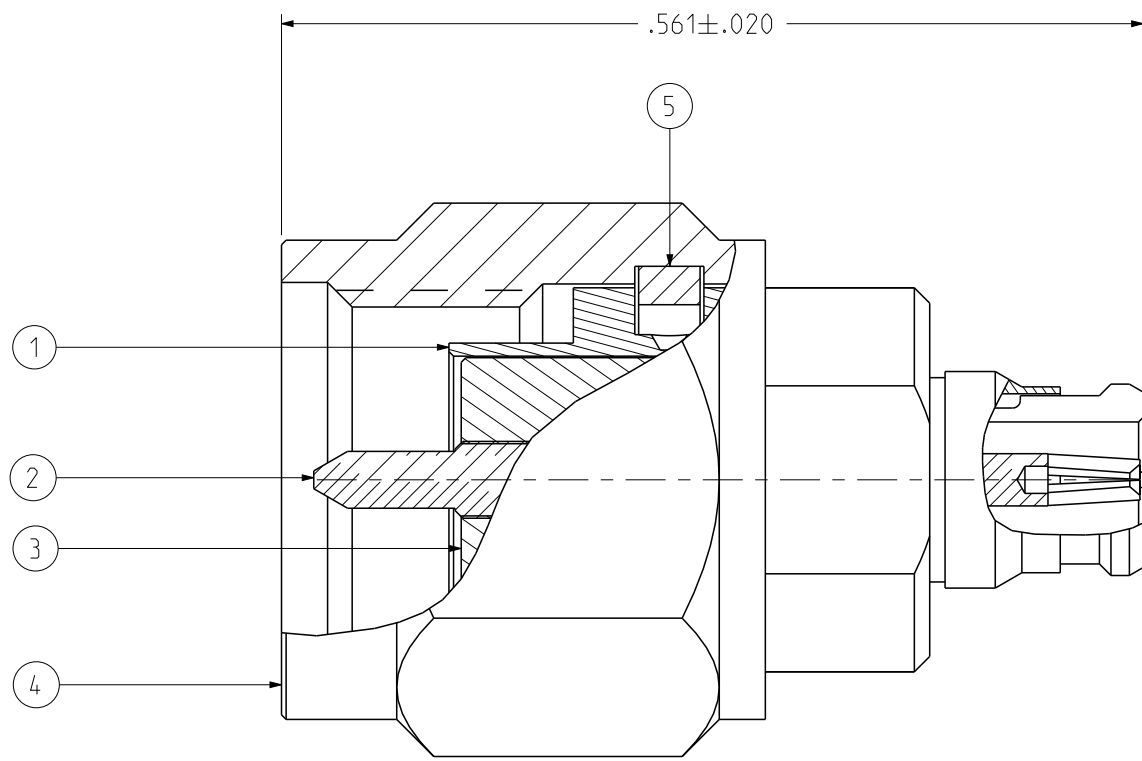


PART NUMBER	ITEM ① BODY	ITEM ② CONTACT	ITEM ③ INSULATOR	ITEM ④ COUPLING NUT	ITEM ⑤ COUPLING SPRING
134-1019-451	BERYLLIUM COPPER GOLD PL .00005 MIN OVER NICKEL PL .00005 MIN OVER COPPER PL .00005 MIN	BERYLLIUM COPPER GOLD PL .00005 MIN OVER NICKEL PL .00005 MIN OVER COPPER PL .00005 MIN	TEFLON	BRASS GOLD PL .00001 MIN OVER NICKEL PL .00005 MIN OVER COPPER PL .00005 MIN	BERYLLIUM COPPER UNPLATED

REV	ECO	DATE
1	INITIAL RELEASE	26FEB2019
2	EC-1906003	04JUN2019
3	EC-1908012	29AUG2019



SCALE 4:1

NOTES:

1. ELECTRICAL SPECIFICATIONS:

- 1.1 IMPEDANCE: 50 OHMS
- 1.2 FREQUENCY RANGE: 0-26.5 GHz
- 1.3 VSWR: 1.20 MAX, 0-18GHz
1.30 MAX, 18-26.5GHz
- 1.4 WORKING VOLTAGE: 335 VRMS MAX AT SEA LEVEL
- 1.5 DIELECTRIC WITHSTANDING VOLTAGE: 1000 VRMS MIN AT SEA LEVEL
- 1.6 INSULATION RESISTANCE: 10000 MEGOHM MIN
- 1.7 CONTACT RESISTANCE:
 - 1.7.1 CENTER CONTACT - INTIAL 5 MILLIOHM MAX, AFTER ENVIRONMENTAL 8 MILLIOHM MAX
 - 1.7.2 OUTER CONDUCTOR - GOLD PLATED INITIAL 1 MILLIOHM MAX, AFTER ENVIRONMENTAL 1.5 MILLIOHM MAX
- 1.8 CORONA LEVEL: 250 VOLTS MINIMUM AT 70,000 FEET
- INSERTION LOSS: .1 dB MAX AT 1GHz
- RF LEAKAGE: -50 dB AT 2.5 GHz
- RF HIGH POTENTIAL WITHSTANDING VOLTAGE: 700 VRMS AT 4 AND 7 MHZ

2. MECHANICAL SPECIFICATIONS:

- 2.1 ENGAGE/DISENGAGE FORCE (SMP): 3.4 LBS MAX ENGAGEMENT
5 LBS TYPICAL DISENGAGEMENT
- 2.2 ENGAGE/DISENGAGE TORQUE (SMA): 2 IN LBS MAX
- 2.3 MATING TORQUE (SMA): 7-10 IN LBS MAX
- 2.4 CONTACT RETENTION FORCE: 6 LBS MIN
- 2.5 DURABILITY: 500 CYCLES MIN

3. ENVIRONMENTAL:

(MEETS OR EXCEEDS THE APPLICABLE PARAGRAPH OF MIL-PRF-39012)

- 3.1 THERMAL SHOCK: MIL-STD-202, METHOD 107, CONDITION B
- 3.2 OPERATING TEMPERATURE: -65 °C TO 165 °C
- 3.3 CORROSION: MIL-STD-202, METHOD 101, CONDITION B
- 3.4 SHOCK: MIL-STD-202, METHOD 213, CONDITION B
- 3.5 VIBRATION: MIL-STD-202, METHOD 204, CONDITION B
- 3.6 MOISTURE: MIL-STD-202, METHOD 106

	Model No: 134-1019-451/460	JOHNSON	
	RoHS2 <input checked="" type="checkbox"/> 2011/65/EU UNLESS OTHERWISE SPECIFIED UNITS: INCH .XX ±.02 .XXX ±.010 ANGLES ±2°	Cage Code 3RD ANGLE PROJECTION Drawn by: Roman. Yao Date: 2/26/2019	Title: ASSEMBLY, ADAPTER BETWEEN SERIES SMA PLUG TO SMP JACK Drawing No. 134-1019-451/460 Size B DO NOT SCALE DRAWING Workmanship Std/Sheet NONE 1 OF 1