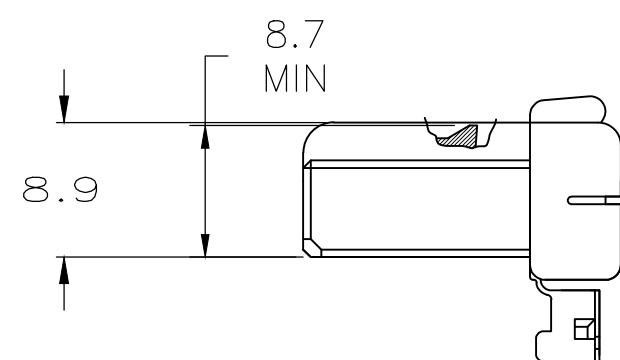
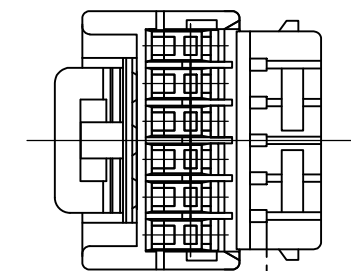
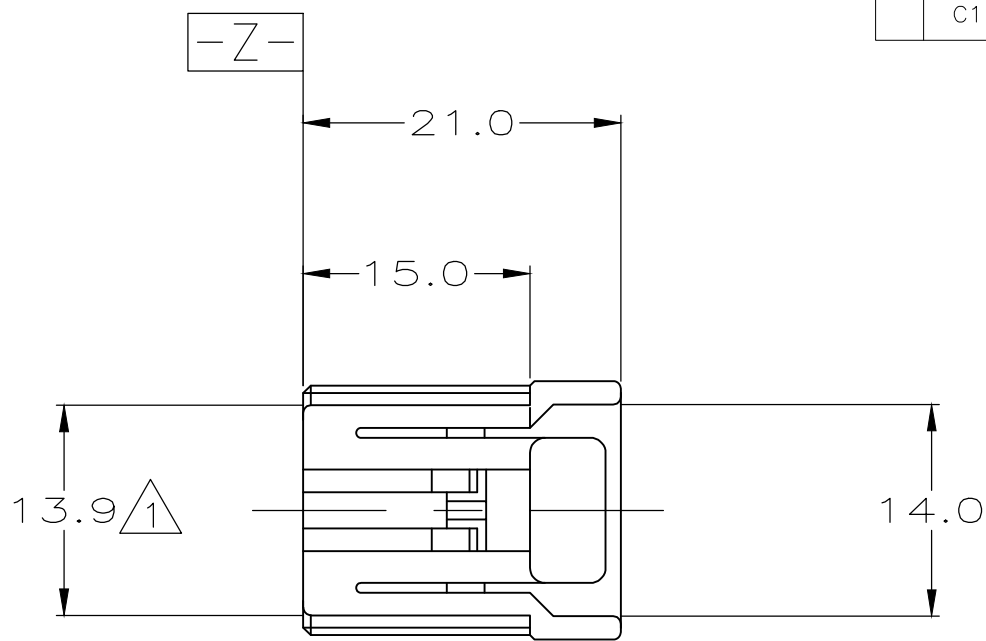
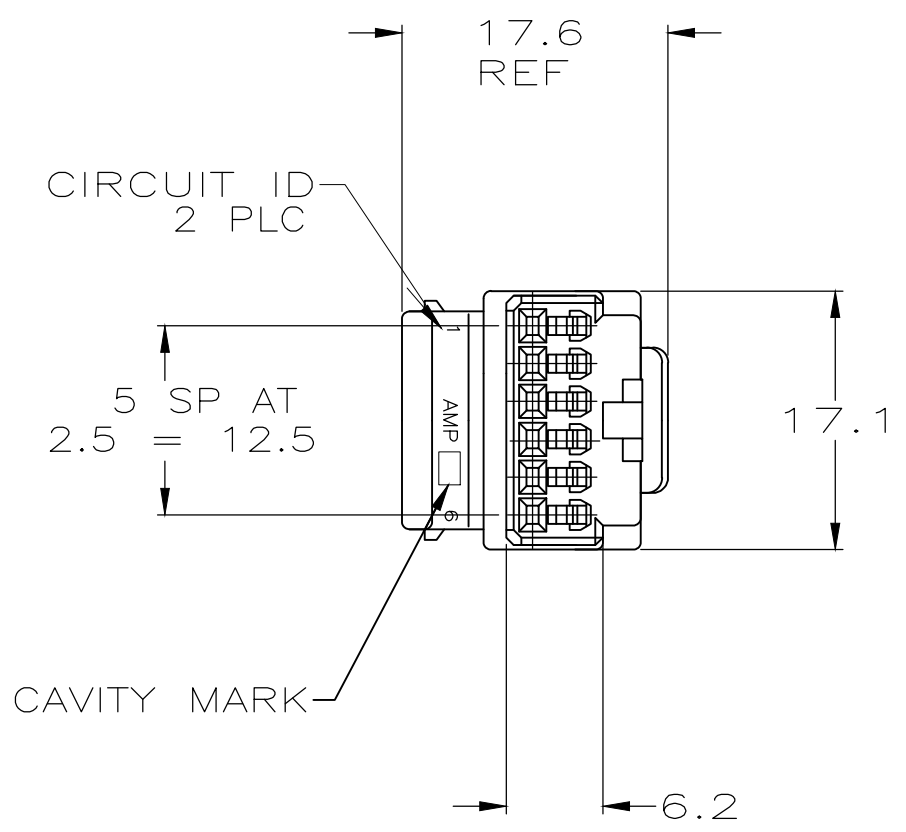


REVISIONS					
P	LTR	DESCRIPTION	DATE	DWN	APVD
	C	EC OK80-0110-02	25APR02	JRB	SSA
	C1	REV PER ECO-20-011282	12AUG2020	GTG	MT



- 1. MUST BE HELD BETWEEN -Z- AND 2MM
- 2. THE MATING CAP ASSEMBLY PART NUMBER IS 175506(SCREW MOUNTING TYPE) OR 776203(BOARDLOCK MOUNTING TYPE)
- 3. APPLIED RECEPTACLE CONTACT IS 173681

OBSOLETE	YELLOW	776204-7
	BLACK	776204-2
	COLOR	PART NUMBER

THIS DRAWING IS A CONTROLLED DOCUMENT.		DWN P. YEAGER 5-22-96	 TE Connectivity					
DIMENSIONS: mm		CHK R. GRAY 5-22-96				NAME		
		APVD R. GRAY 5-22-96				6 POSN PLUG HOUSING .040 SERIES MULTI-LOCK I/O CONN		
		PRODUCT SPEC 108-5281				-		
TOLERANCES UNLESS OTHERWISE SPECIFIED:		APPLICATION SPEC	SIZE	CAGE CODE	DRAWING NO	RESTRICTED TO		
0 PLC ± 0.25 1 PLC ± 0.15 2 PLC ± 0.1 3 PLC ± - 4 PLC ± - ANGLES ± -		WEIGHT	A3	00779	C-776204	-		
MATERIAL		FINISH	CUSTOMER DRAWING			SCALE 2:1		
-		-	SHEET 1 OF 1			REV C1		