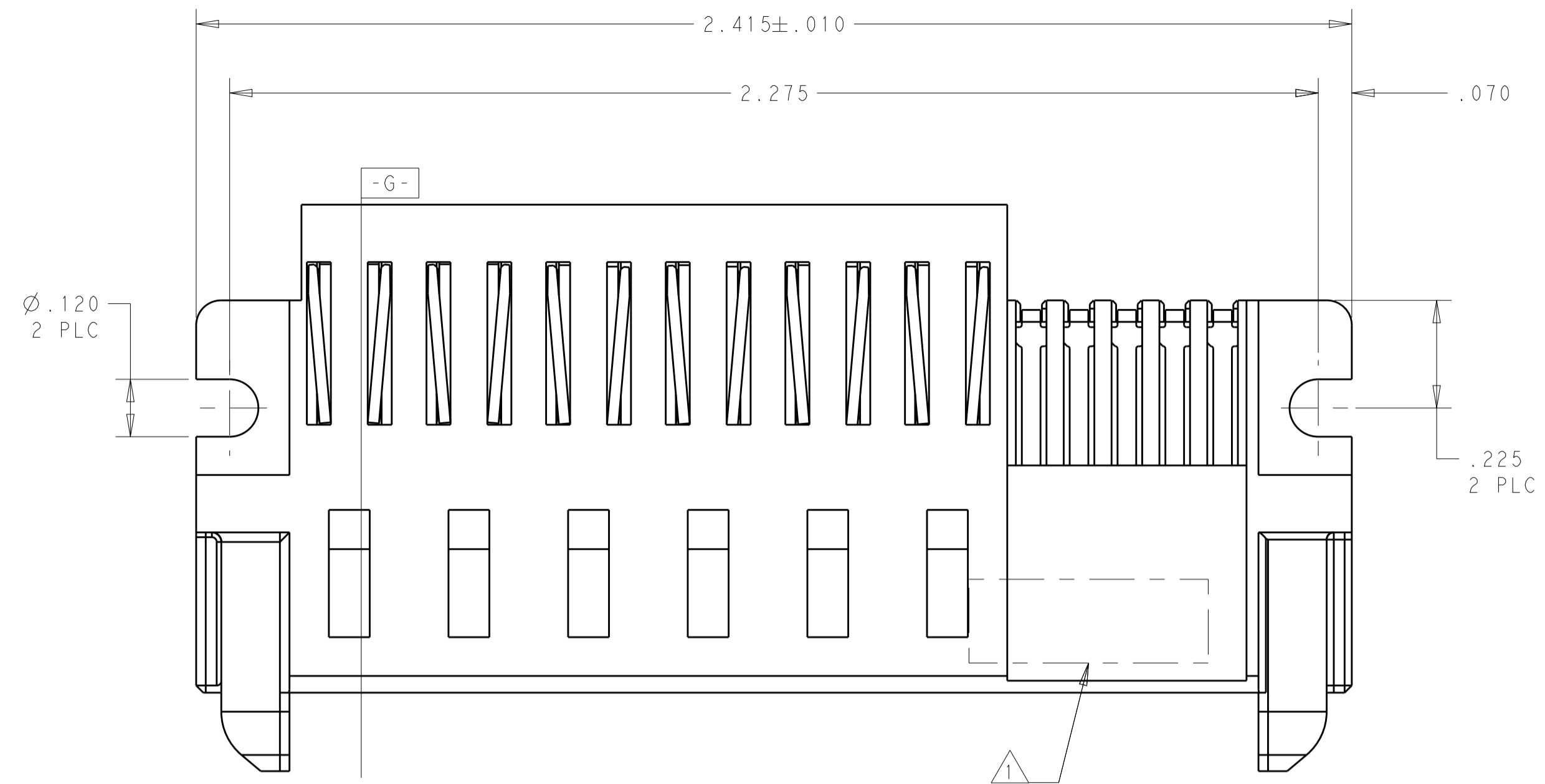
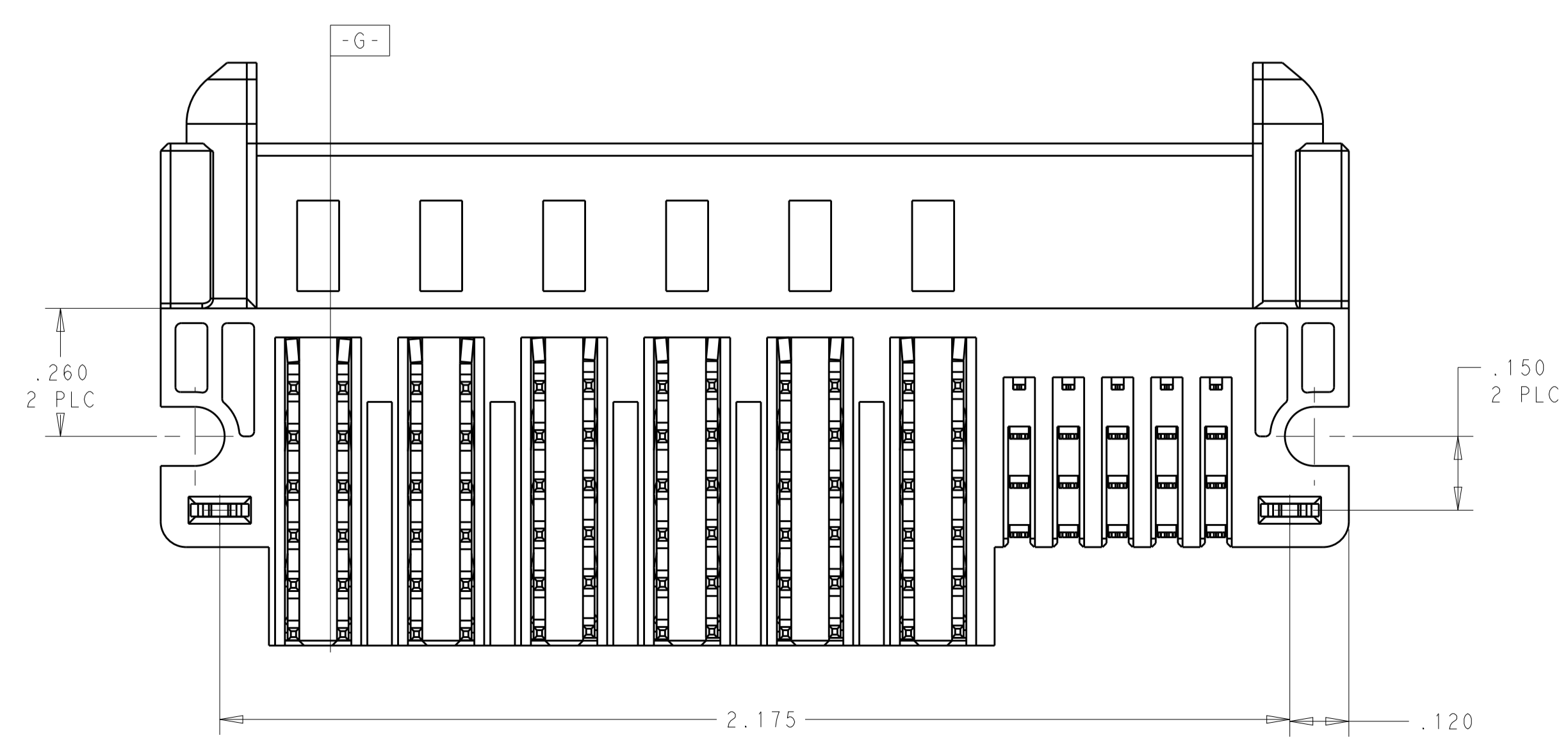
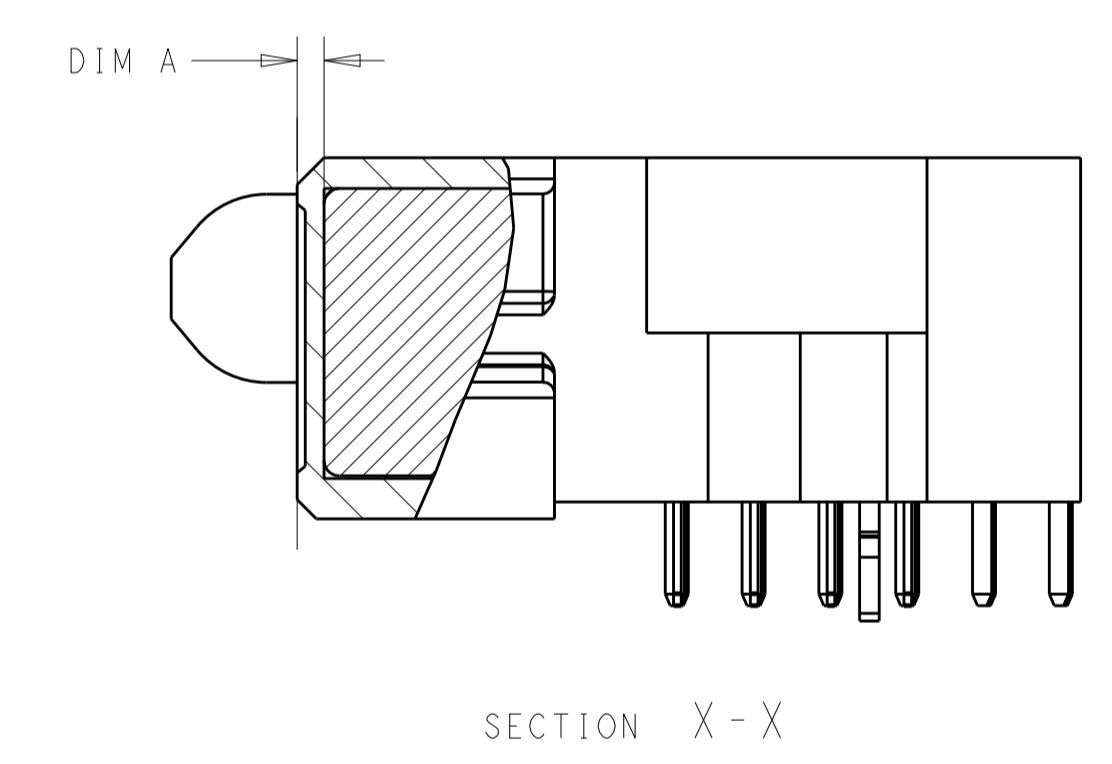
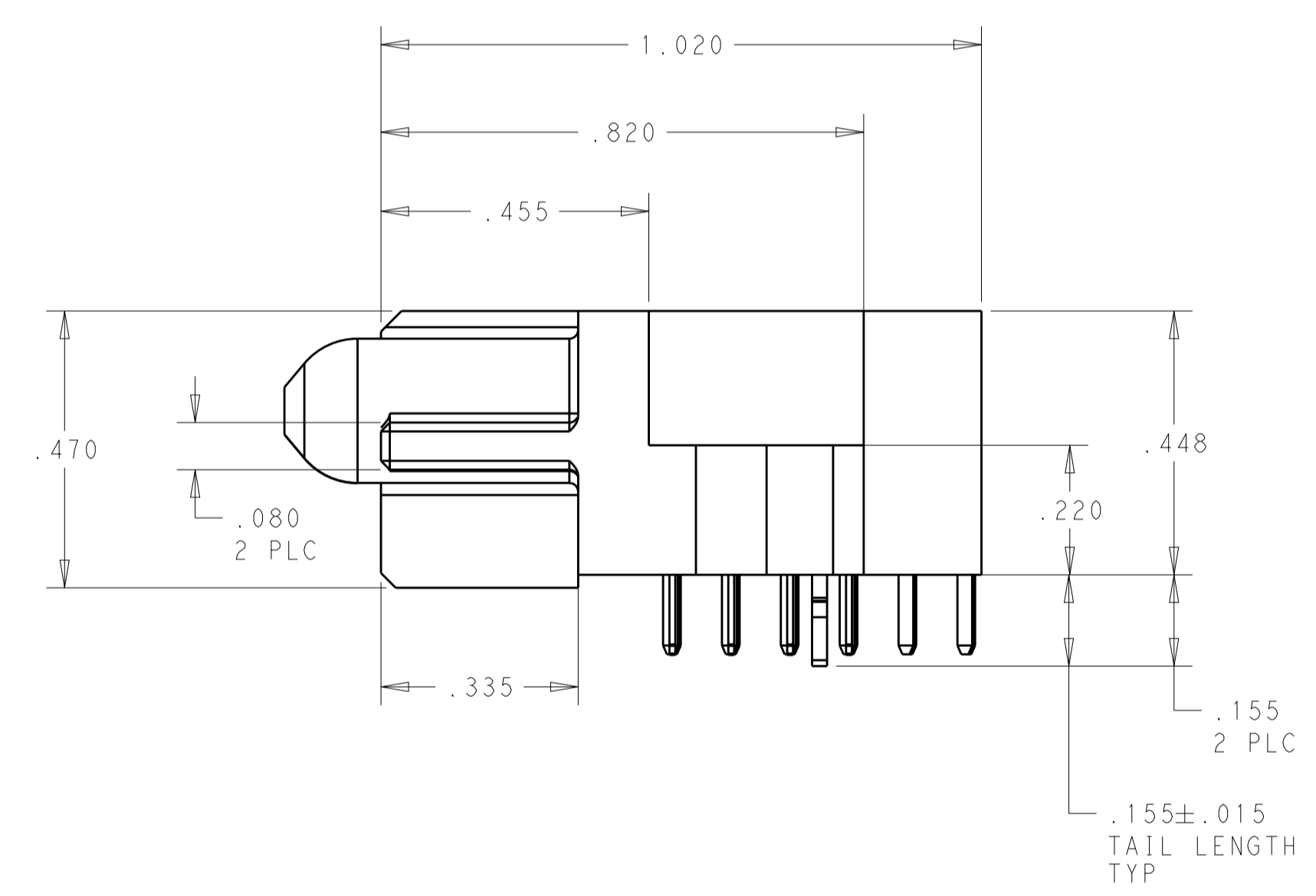
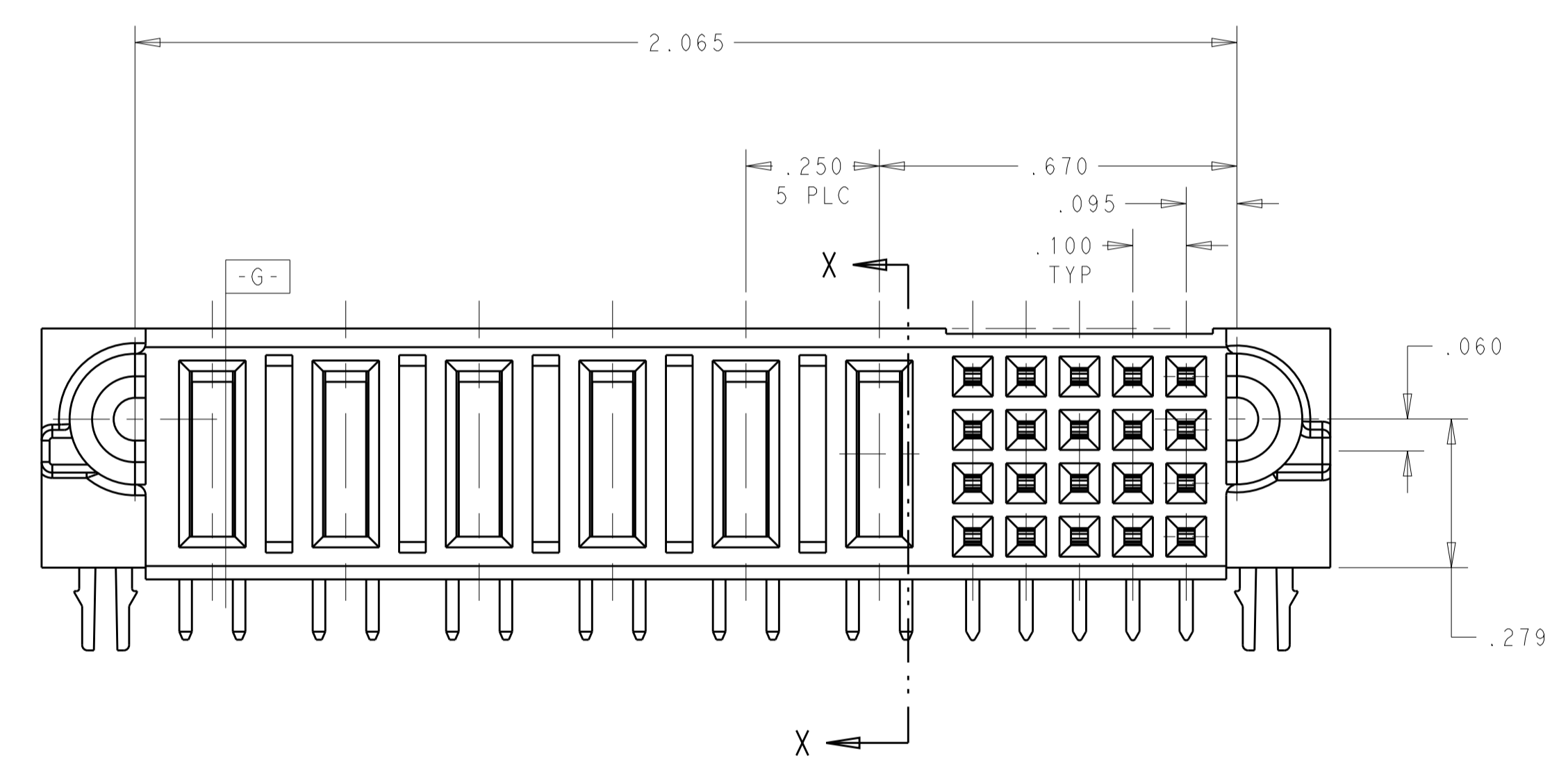


REVISIONS				
P.	LTN	DESCRIPTION	DATE	DWN APVD
5		REVISED PCB LAYOUT	04NOV2018	CZ SZ
A		REV PER ECR-19-013892	06SEP2019	CZ SZ



- 1 "TE", PART NUMBER, AND DATECODE TO BE MARKED IN AREA SHOWN. PARTS UNDER 2.00 LONG MAY BE MARKED ON BOTH SIDES.
- 2 MATERIAL:
HOUSING - GLASS FILLED HIGH TEMP THERMO PLASTIC, BLACK, UL94 V-0
SIGNAL CONTACT - COPPER ALLOY
POWER CONTACT - HIGH CONDUCTIVITY COPPER ALLOY
- 3 CONTACT PLATING: NOBLE METAL PLATING ON CONTACT FUNCTIONAL AREA OF POWER AND SIGNAL CONTACTS.
- 4 MECHANICAL CONNECTOR KEEP OUT ZONE.
- 5 DATUM AND BASIC DIMENSIONS ESTABLISHED BY CUSTOMER.
- 6 PCB - HOLE DIAMETERS ARE FINISHED HOLE SIZE.
- 7 PCB - .0453±.0010 DRILLED HOLES PLATED WITH .0003 MIN Sn OVER .001 TO .003 Cu PLATING TO ACHIEVE A .040 ±.003 HOLE.



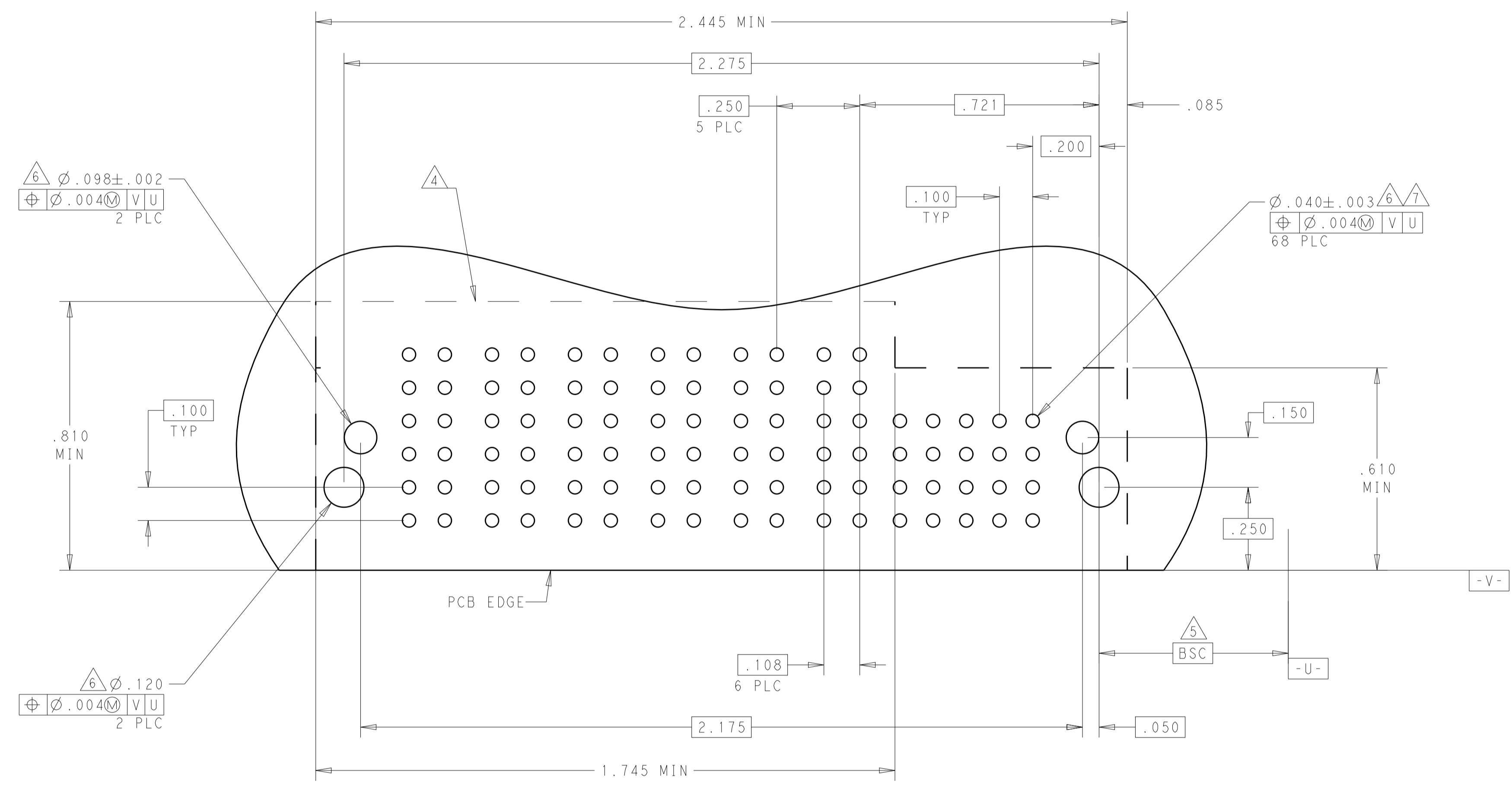
20S+6P	2343045-1
DESCRIPTION	PART NUMBER

THIS DRAWING IS A CONTROLLED DOCUMENT.		DWN C. ZHOU 09OCT2018	TE Connectivity	
DIMENSIONS: INCHES		CHK C. ZHOU 09OCT2018		
TOLERANCES UNLESS OTHERWISE SPECIFIED:		APVD S. ZHAO 09OCT2018	NAME RIGHT ANGLE RECEPTACLE ASSEMBLY SOLDER	
0 PLC ± 1 PLC ± 2 PLC ± 3 PLC ±0.010 4 PLC ± ANGLES ±7°		PRODUCT SPEC 108-2292	SIZE CAGE CODE DRAWING NO A100779C=2343045-1	
MATERIAL		APPLICATION SPEC 114-13251	RESTRICTED TO	
FINISH		WEIGHT	SCALE 4:1 SHEET 1 OF 2 REV A	
CUSTOMER DRAWING				

REVISIONS				
P.	LTN	DESCRIPTION	DATE	APVD
-	-	SEE SHEET 1	-	-

PART NUMBER	ROWS	POWER					SIGNAL					
		P6	P5	P4	P3	P2	P1	5	4	3	2	1
2343045-1	D							H	H	H	H	H
	C							G	G	G	G	G
	B							F	F	F	F	F
	A	HD						E	E	E	E	E

20S+6P



RECOMMENDED PCB LAYOUT

.078	STD SOLDER POWER CONTACT, .135 TAIL LENGTH	RM
-	STD SOLDER SIGNAL CONTACT, .135 TAIL LENGTH, ROW D	H
-	STD SOLDER SIGNAL CONTACT, .135 TAIL LENGTH, ROW C	G
-	STD SOLDER SIGNAL CONTACT, .135 TAIL LENGTH, ROW B	F
-	STD SOLDER SIGNAL CONTACT, .135 TAIL LENGTH, ROW A	E
.035	MFBL SOLDER POWER CONTACT, .135 TAIL LENGTH	RA
-	HOLD DOWN, MULTI-BEAM	HD
DIM A	DESCRIPTION	IDENTIFIER

THIS DRAWING IS A CONTROLLED DOCUMENT.

DWNS	C. ZHOU	09OCT2018
CHK	C. ZHOU	09OCT2018
APVD	S. ZHAO	09OCT2018

STE TE Connectivity

NAME: RIGHT ANGLE RECEPTACLE ASSEMBLY
SOLDER

DIMENSIONS: INCHES	TOLERANCES UNLESS OTHERWISE SPECIFIED:
0 PLC ±.005	1 PLC ±.005
2 PLC ±.005	3 PLC ±.005
4 PLC ±.005	5 PLC ±.005
6 PLC ±.005	7 PLC ±.005
8 PLC ±.005	9 PLC ±.005
ANGLES	±.020

PRODUCT SPEC	108-2292
APPLICATION SPEC	114-13251
SIZE	CAGE CODE DRAWING NO
WEIGHT	A100779C=2343045-1
CUSTOMER DRAWING	SCALE 4:1 SHEET 2 OF 2 REV A