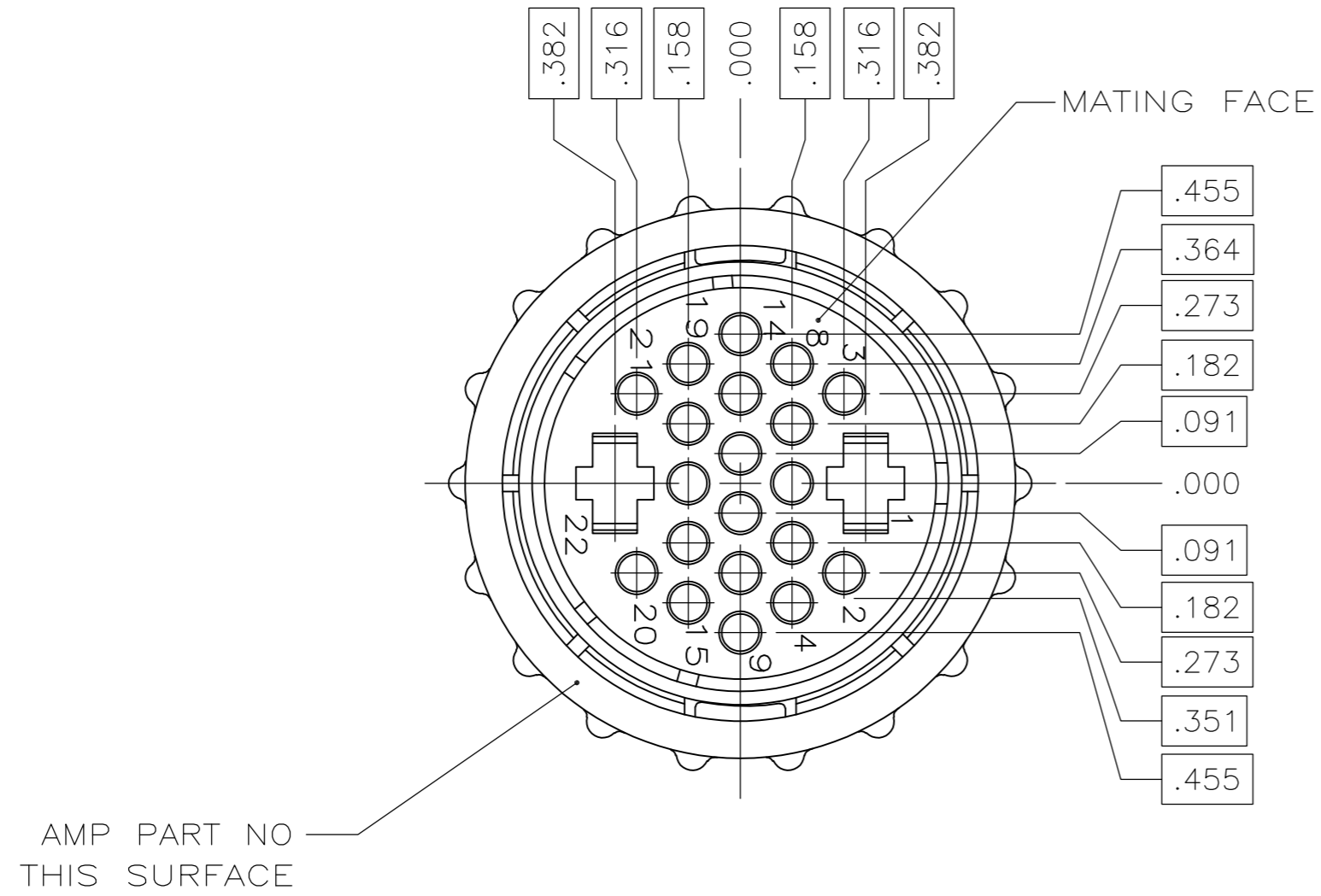
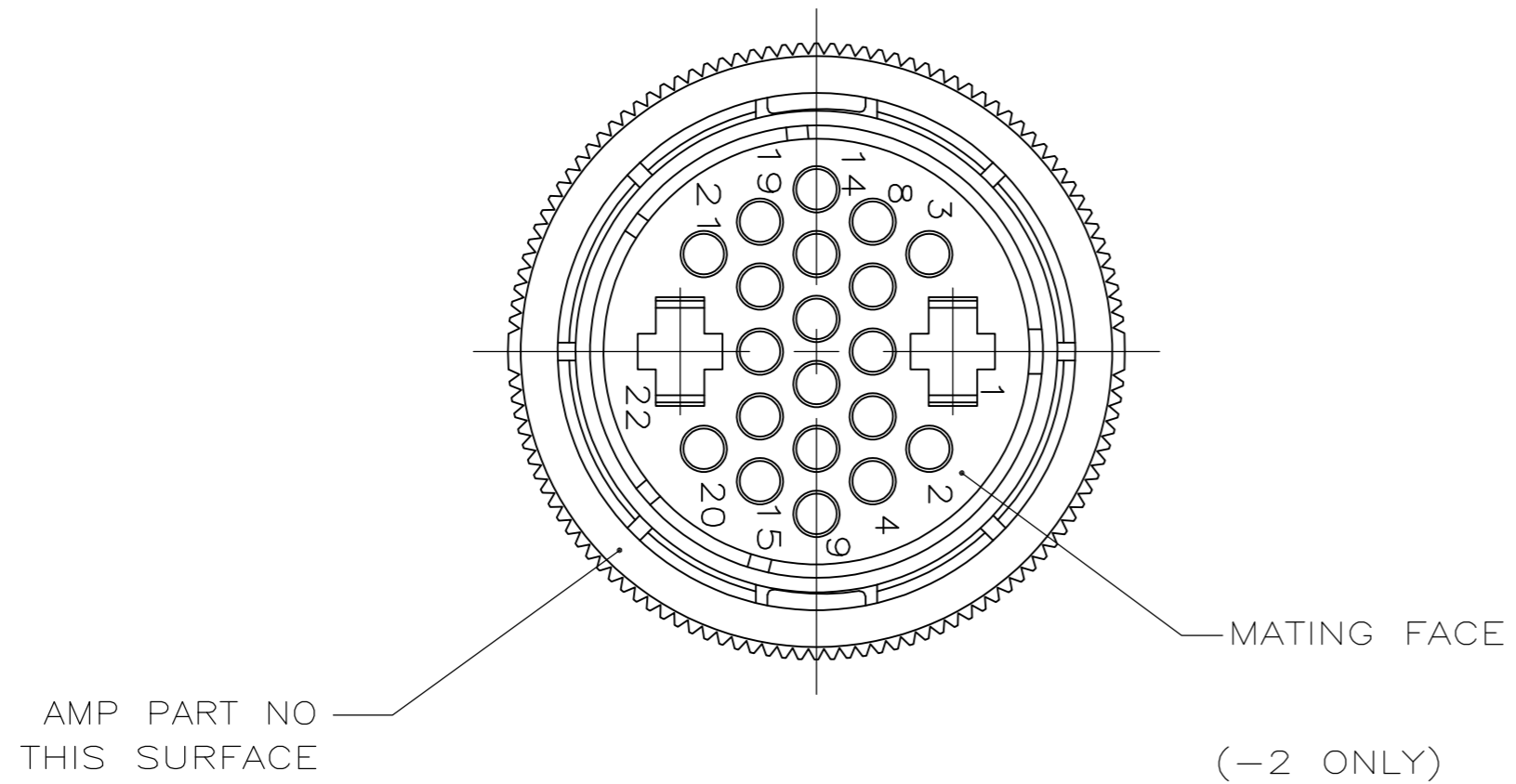


THIS DRAWING IS UNPUBLISHED. RELEASED FOR PUBLICATION  
 © COPYRIGHT - By - ALL RIGHTS RESERVED.

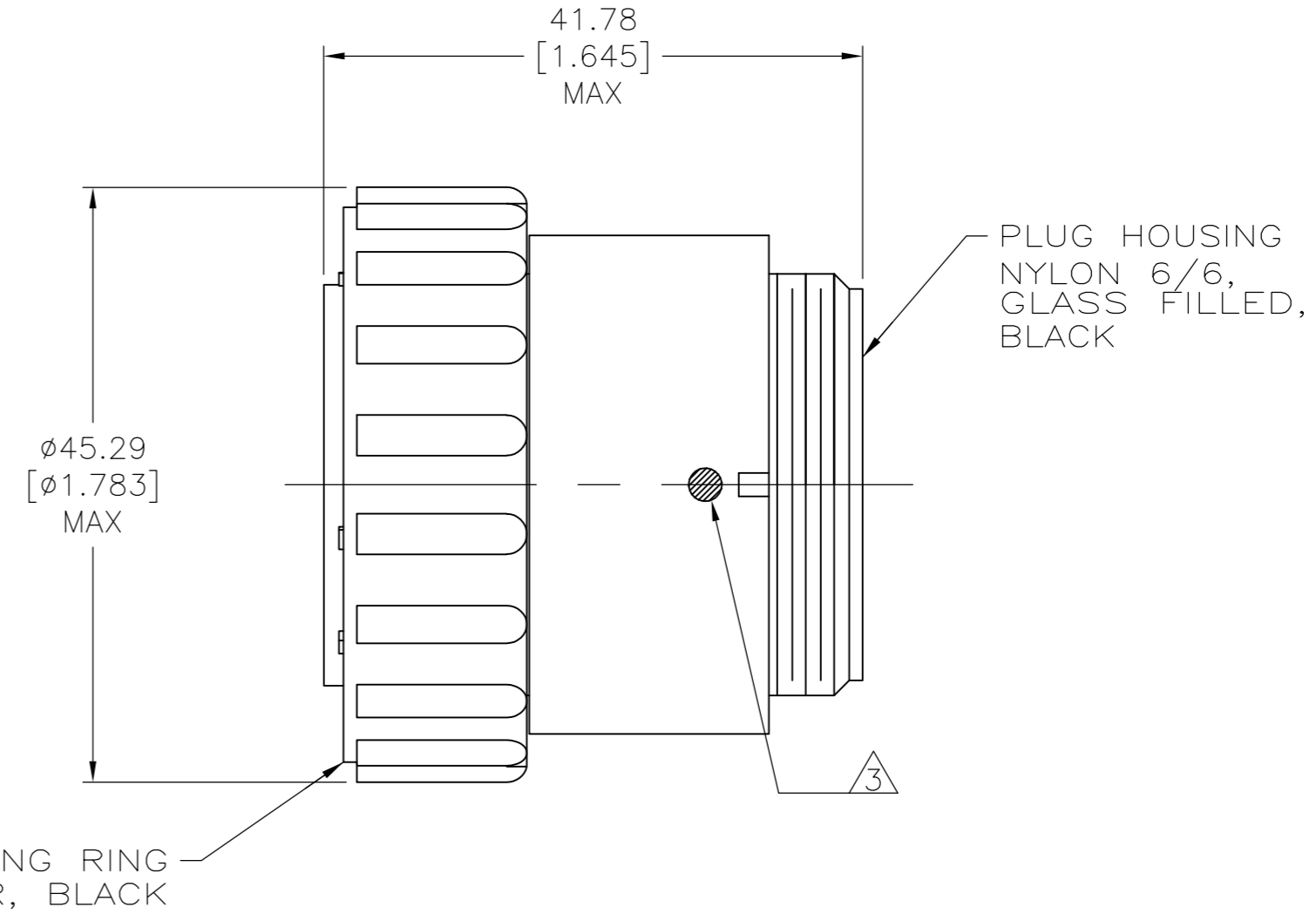
REVISIONS					
P	LTR	DESCRIPTION	DATE	DWN	APVD
G2		REVISED PER ECO-16-004800	10SEP2016	NK	MZ



(-1 AND -3 ONLY)



(-2 ONLY)



- 1 CONTACT CAVITIES IDENTIFIED BY CHARACTERS ON FRONT AND REAR FACES OF CONNECTOR.
- 2 WILL ACCEPT (20) MULTIMATE & (2) TYPE XII SOCKET CONTACTS.
- 3 WHITE DOT ONLY APPEARS ON 206612-3 ASSEMBLY.
- 4 PRELIMINARY PART NUMBER.

OBSOLETE	-206612-3-
	206612-2
	206612-1
	PART NUMBER

THIS DRAWING IS A CONTROLLED DOCUMENT.		DWN S. RIDGLEY BG 31 JUL 90	<b>TE</b> TE Connectivity	
DIMENSIONS: INCHES		CHK R. STONE 26 APR 91		
TOLERANCES UNLESS OTHERWISE SPECIFIED:		APVD K. BEAVER 03 APR 91	NAME	
0 PLC ± -		PRODUCT SPEC	108-10024	
1 PLC ± -		APPLICATION SPEC	-	
2 PLC ± -		WEIGHT	A2 00779 C=206612	
3 PLC ± -		CUSTOMER DRAWING	SCALE 2:1	SHEET 1 of 1
4 PLC ± -			REV G2	
ANGLES ± -				
FINISH -				