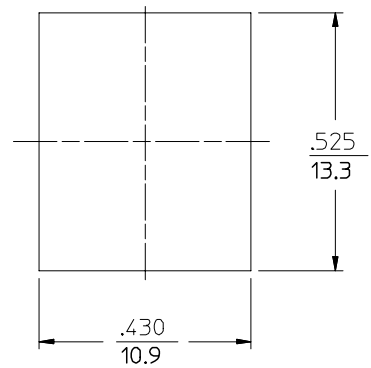
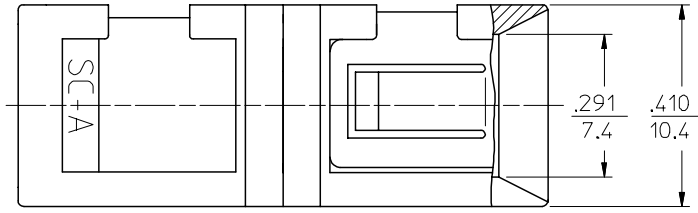
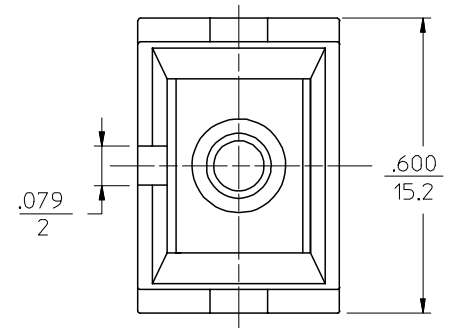
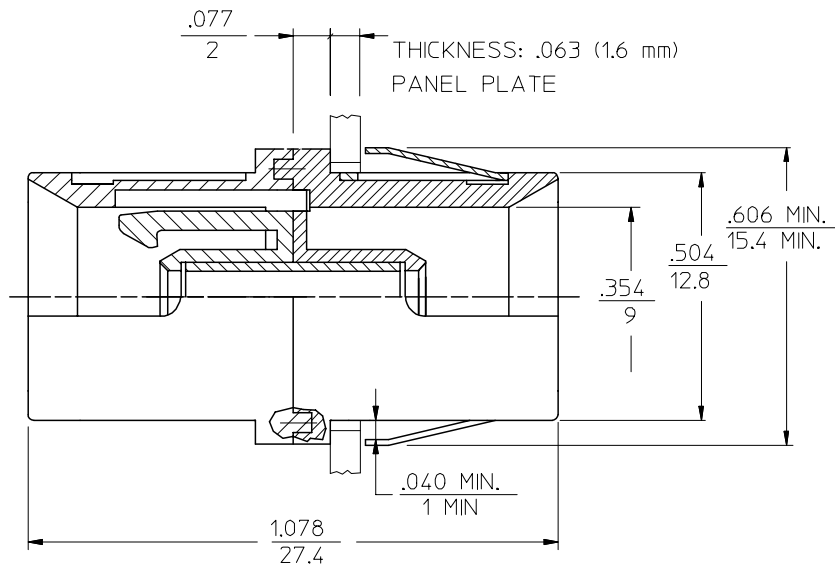


| P/N OF ADAPTER | MATERIAL OF SPLIT SLEEVE | COLOR OF ADAPTER SHELL |
|----------------|--------------------------|------------------------|
| 86170-0000 | ZR | BLACK |
| 86171-0000 | PHOSPHOR BRONZE | |
| 86170-0020 | ZR | GREEN |
| 86171-0020 | PHOSPHOR BRONZE | |
| 86170-0030 | ZR | RED |
| 86171-0030 | PHOSPHOR BRONZE | |
| 86170-0050 | ZR | BLUE |
| 86194-0170 | PHOSPHOR BRONZE | BLACK |
| 86194-0730 | PHOSPHOR BRONZE | RED |



RECOMMENDED MOUNTING HOLE



- NOTES:
- ALL DIMENSIONS ARE GIVEN IN $\frac{\text{INCHES}}{\text{mm}}$.
 - DUST CAPS ARE NOT SHOWN.

RESTRICTED RELEASE
DRAWING MAY CHANGE WITHOUT
CUSTOMER NOTIFICATION

| | | | |
|--|------------------------|------|------------------------|
| Fiber Optics Division Downers Grove, Illinois | | | |
| TITLE: | BSC BACK PANEL ADAPTER | Size | Scale |
| Drawing No. | 861XX-00X0 CD | B | 4:1 |
| | | | REV. Sheet 1 of 1 |