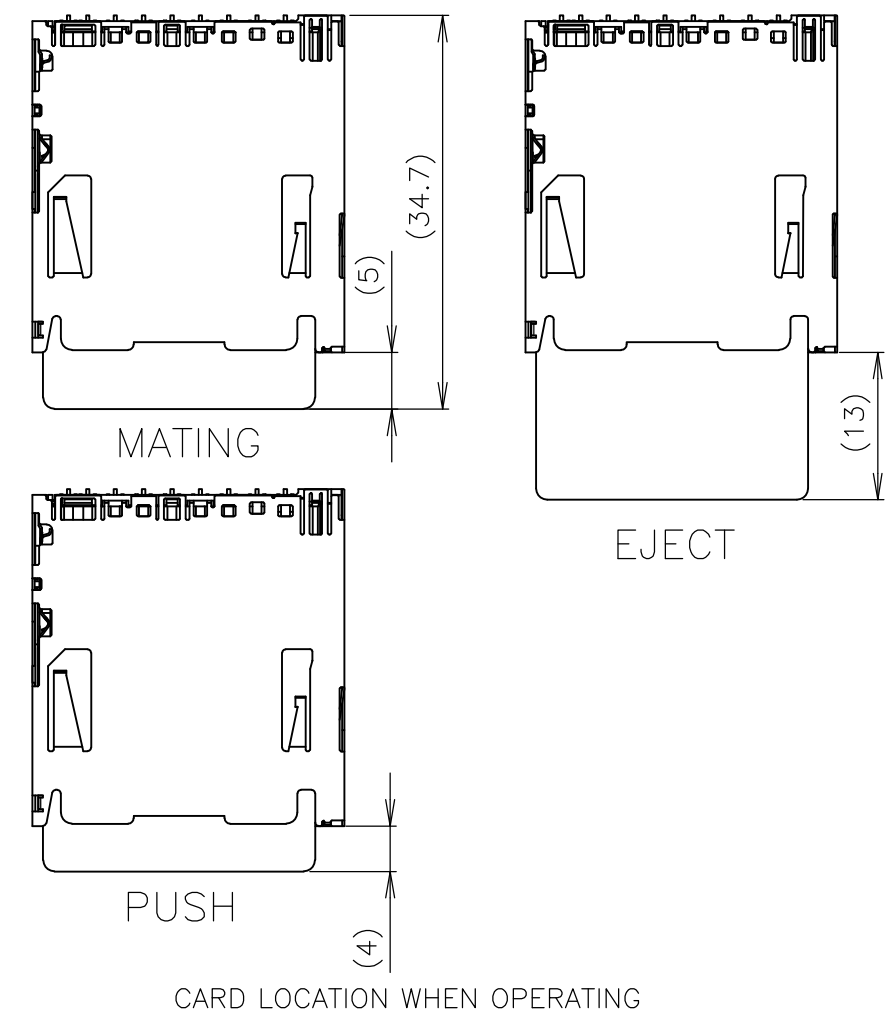
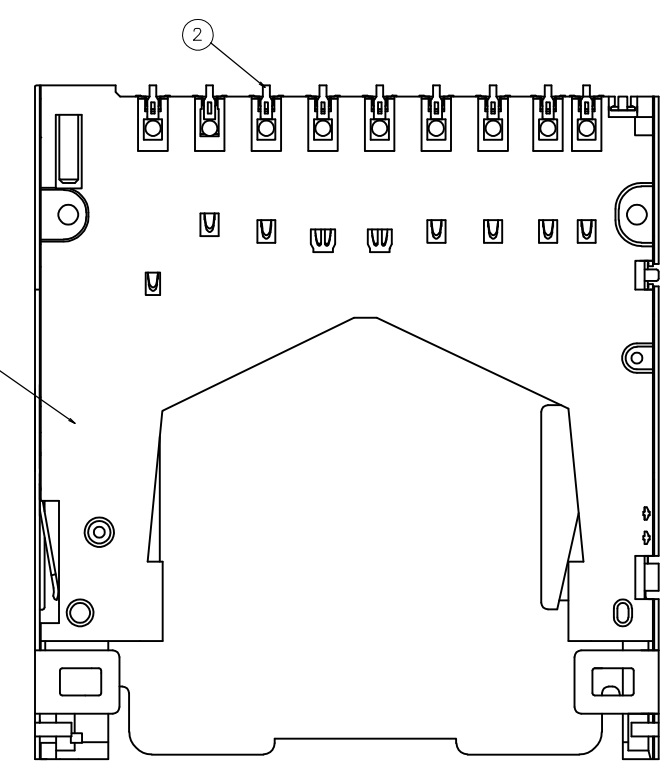
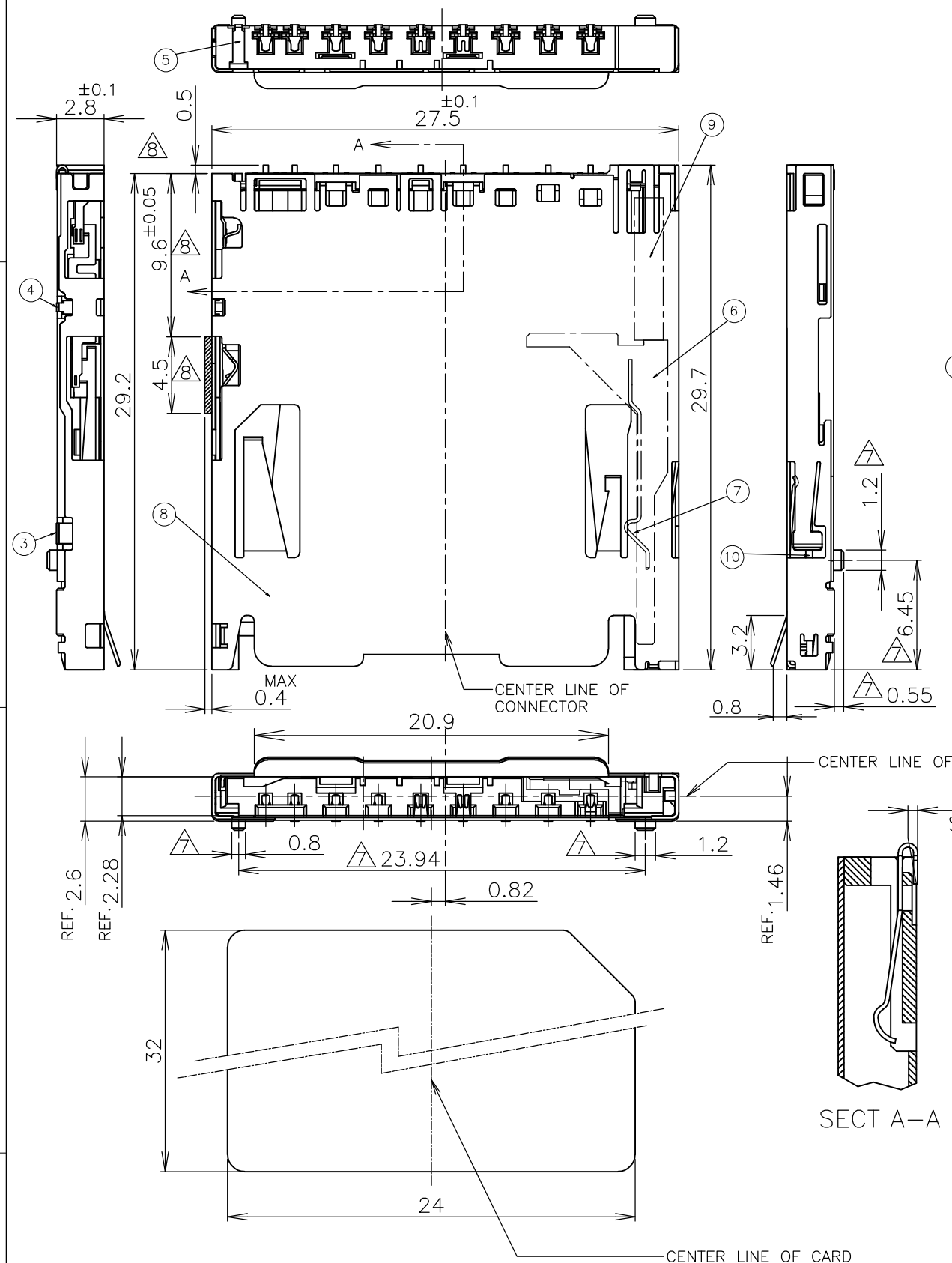


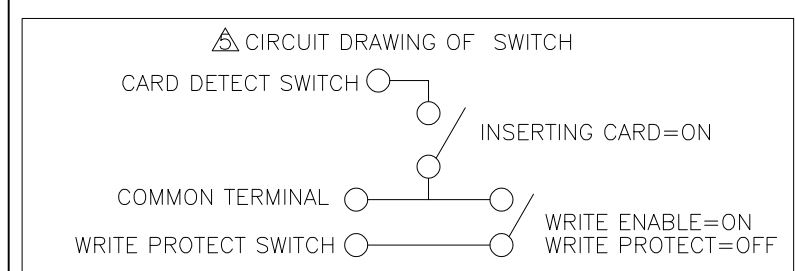
THIS DRAWING IS UNPUBLISHED. RELEASED FOR PUBLICATION MAR , 2003.  
 © COPYRIGHT 2004 By - ALL RIGHTS RESERVED.

LOC	DIST	REVISIONS 変更					
J	/	P	LTR	DESCRIPTION	DATE	DWN	APVD
		D		REVISED	04SEP2015	M.T	K.K



- △ カード認識スイッチ用パッド
- △ コモン端子用パッド
- △ ライトプロテクトスイッチ用パッド
- 4 カード挿入時の接触の順番  
PIN #3,4 — PIN #2,5,6,7,8,9  
カード認識スイッチ — PIN #1
- △ スイッチの回路図
- 6 本製品は浸漬による洗浄は行わないこと。
- △ ボス無しタイプには、適用なし。
- △ スイッチ可動エリア
- △ 材料&仕上げはテーブルを参照のこと。
- 10 コプラナリティは、0.1mm以下。
- △ PAD FOR CARD DETECT SWITCH
- △ PAD FOR COMMON TERMINAL
- △ PAD FOR WRITE PROTECT SWITCH
- 4 THE SEQUENCE OF CONTACT DURING CARD INSERTION  
PIN #3,4 — PIN #2,5,6,7,8,9  
CARD DETECT SWITCH — PIN #1
- △ CIRCUIT DRAWING OF SWITCH
- 6 DON'T WASH BY IMMERSING THE CONNECTOR IN FLUID
- △ NO APPLIED TO WITHOUT BOSS TYPE.
- △ SWITCH MOVING AREA
- △ REFER TO THE TABLE FOR MATERIAL AND FINISH.
- 10 COPLANARITY IS 0.1MAX.

ITEM	DESCRIPTION	MATERIAL	FINISH	QTY
10	CAM ROD	SUS	-	1
9	COIL SPRING	SWP	-	1
8	SHELL	COPPER ALLOY	TIN PLATE	1
7	HOOK SPRING	SUS	-	1
6	SLIDER	THERMOPLASTIC	-	1
5	SWITCH C	COPPER ALLOY	Au ON CONTACT AREA OVER Ni AND Sn ON SOLDER TINE OVER Ni.	1
4	SWITCH B	COPPER ALLOY	Au ON CONTACT AREA AND SOLDER TINE OVER Ni.	1
3	SWITCH A	COPPER ALLOY	Au ON CONTACT AREA OVER Ni AND Sn ON SOLDER TINE OVER Ni.	1
2	CONTACT	COPPER ALLOY	Au ON CONTACT AREA OVER Ni AND Sn ON SOLDER TINE OVER Ni.	1
1	HOUSING	THERMOPLASTIC	-	1
ITEM	DESCRIPTION	△ MATERIAL	△ FINISH	QTY



-1, -2 : AS SHOWN

WITHOUT	1939870-2
WITH	1939870-1
BOSS	PART NUMBER

THIS DRAWING IS A CONTROLLED DOCUMENT.

DIMENSIONS: 単位: 耗 MM

TOLERANCES UNLESS OTHERWISE SPECIFIED: 一般公差

0 PLC	± 0.3
1 PLC	± 0.3
2 PLC	± 0.3
3 PLC	± 0.3
4 PLC	± 0.3
ANGLES	± 3'

MATERIAL 材料

FINISH 仕上

DWN Y.OKOSHI 05SEP06  
 CHK Y.NAKAZAWA 05SEP06  
 APVD Y.YAMAMOTO 05SEP06

PRODUCT SPEC 製品規格 108-78220  
 APPLICATION SPEC 取付適用規格

WEIGHT

CUSTOMER DRAWING

SCALE 尺度 3:1

SHEET 1 OF 4

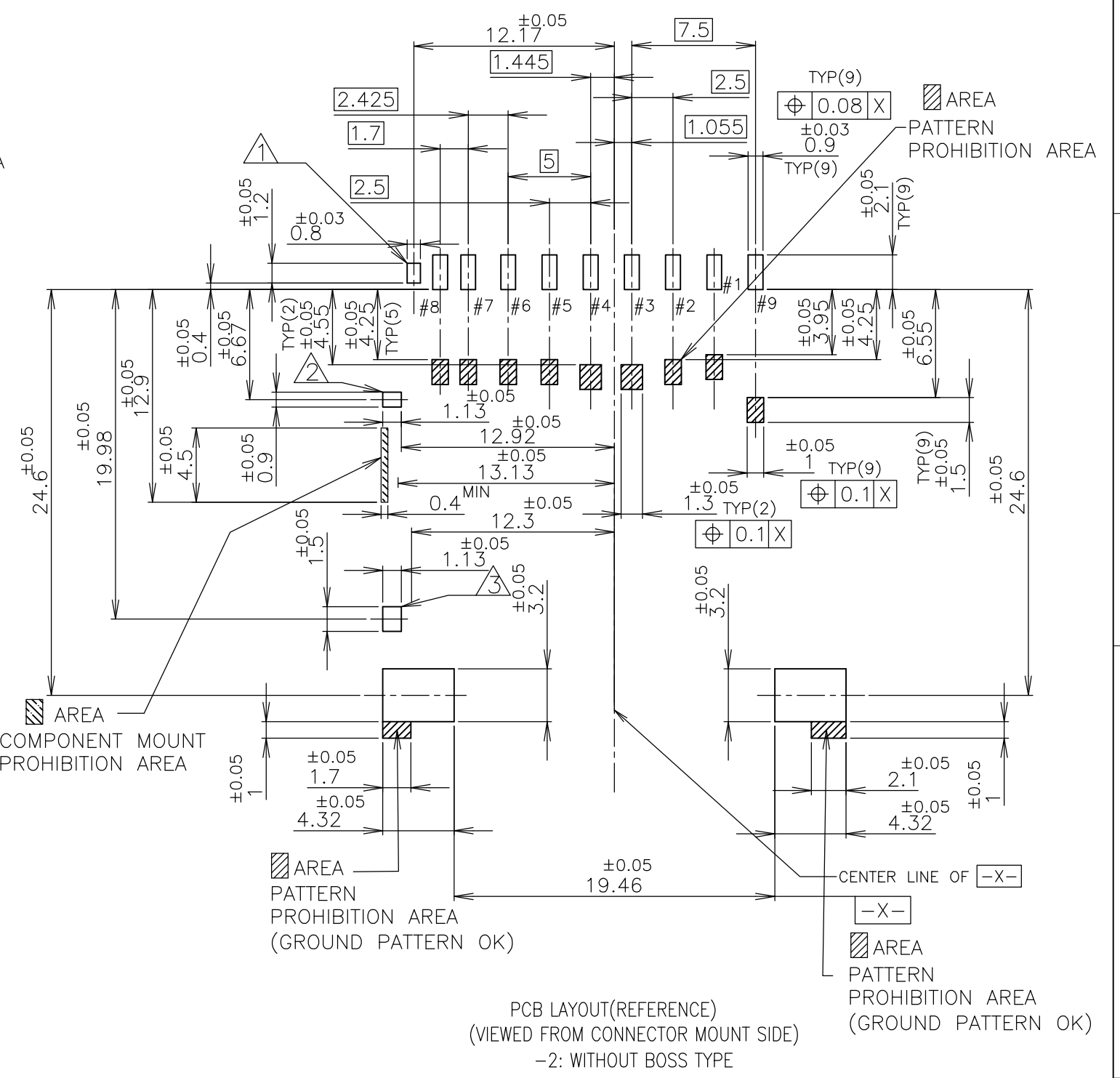
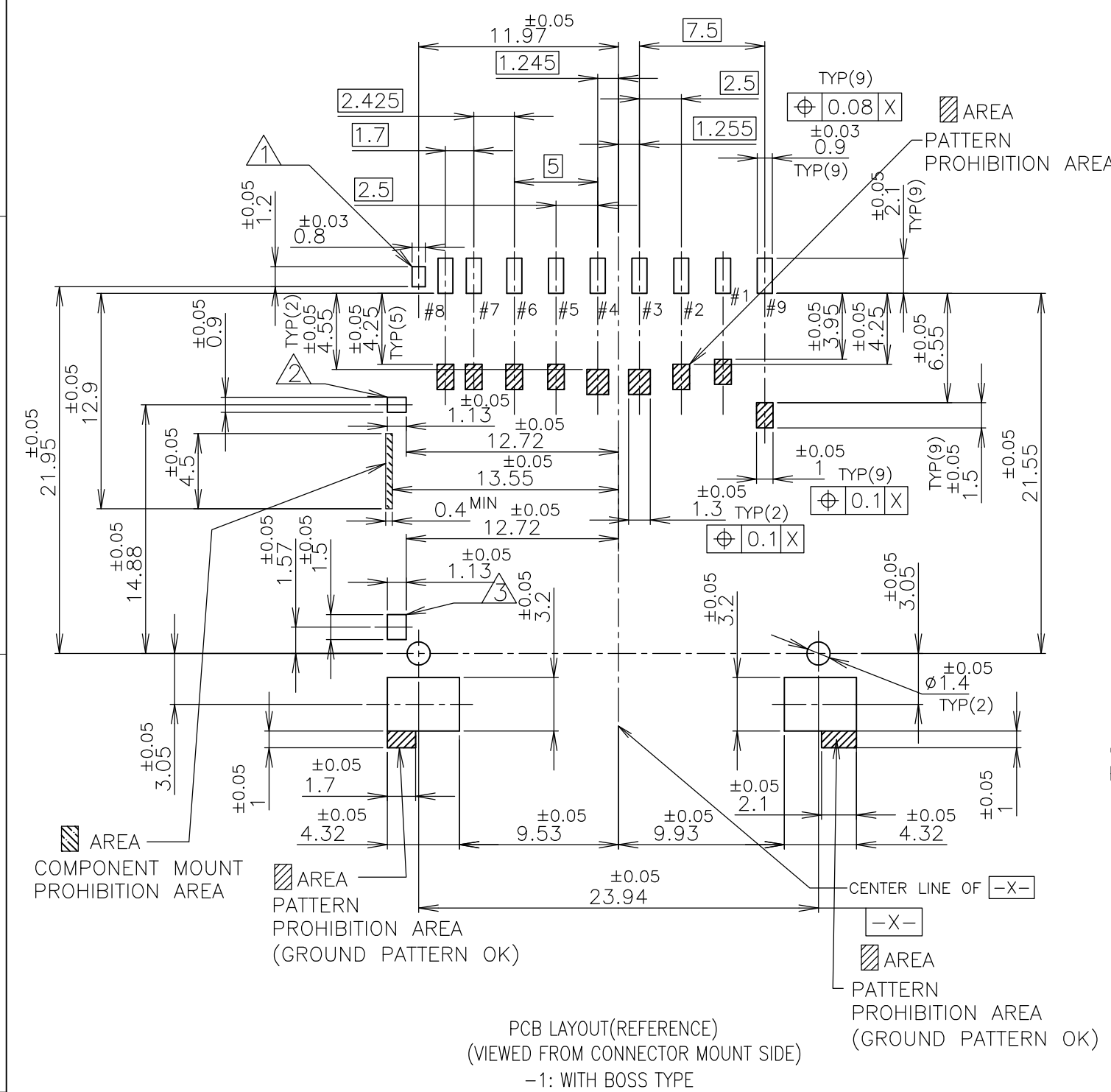
REV D

SD MEMORY CARD CONNECTOR  
 PUSH PUSH TYPE  
 STANDARD H0

SIZE A3 CAGE CODE 00779 DRAWING NO 1939870 RESTRICTED TO 番号

THIS DRAWING IS UNPUBLISHED. RELEASED FOR PUBLICATION MAR , 2003.  
 © COPYRIGHT 2004 By - ALL RIGHTS RESERVED.

LOC	DIST	REVISIONS			DATE	DWN	APVD
		P	LTR	DESCRIPTION			
J	/			SEE SHEET 1	-	-	-



THIS DRAWING IS A CONTROLLED DOCUMENT.		DWN	-		
DIMENSIONS: 単位: 耗 MM		CHK	-		
TOLERANCES UNLESS OTHERWISE SPECIFIED: 一般公差		APVD	-		
0 PLC ± 0.3		PRODUCT SPEC	-		
1 PLC ± 0.3		製品規格	-		
2 PLC ± 0.3		APPLICATION SPEC	-		
3 PLC ± 0.3		取付適用規格	-		
4 PLC ± 0.3		WEIGHT	-		
ANGLES ± 3'		NAME		SD MEMORY CARD CONNECTOR	
MATERIAL		CAGE CODE		PUSH PUSH TYPE	
材料		DRAWING NO		STANDARD H0	
FINISH		RESTRICTED TO		-	
仕上		番号		-	
CUSTOMER DRAWING		A300779		G-1939870	
SCALE		SHEET		REV	
尺度 3:1		2 OF 4		D	

THIS DRAWING IS UNPUBLISHED.

RELEASED FOR PUBLICATION MAR , 2003.

© COPYRIGHT 2004 By -

ALL RIGHTS RESERVED.

LOC

DIST

REVISIONS

變更

DESCRIPTION

DATE

DWN

APVD

P

LTR

SEE SHEET 1

### PIN ASSIGNMENT

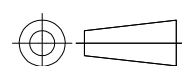
PIN#	SD MODE			SPI MODE		
	NAME	TYPE	DESCRIPTION	NAME	TYPE	DESCRIPTION
1	CD/DAT3	I/O/PP	CARD DETECT/ DATA LINE[BIT 3]	CS	I	CHIP SELECT(NEG TRUE)
2	CMD	PP	COMMAND/RESPONSE	DI	I	DATA IN
3	Vss1	S	SUPPLY VOLTAGE GROUND	VSS	S	SUPPLY VOLTAGE GROUND
4	Vdd	S	SUPPLY VOLTAGE	VDD	S	SUPPLY VOLTAGE
5	CLK	I	CLOCK	SCLK	I	CLOCK
6	Vss2	S	SUPPLY VOLTAGE GROUND	VSS2	S	SUPPLY VOLTAGE GROUND
7	DAT0	I/O/PP	DATA LINE[BIT 0]	DO	O/PP	DATA OUT
8	DAT1	I/O/PP	DATA LINE[BIT 1]	RSV		
9	DAT2	I/O/PP	DATA LINE[BIT 2]	RSV		

### SWITCH PIN ASSIGNMENT

△1	CARD DETECT SWITCH
△2	COMMON TERMINAL
△3	WRITE PROTECT SWITCH

THIS DRAWING IS A CONTROLLED DOCUMENT.

DIMENSIONS:  
單位: 耗  
MM



TOLERANCES UNLESS  
OTHERWISE SPECIFIED:  
一般公差

0 PLC	± 0.3
1 PLC	± 0.3
2 PLC	± 0.3
3 PLC	± 0.3
4 PLC	± 0.3
ANGLES	± 3°

MATERIAL  
材料

FINISH  
仕上

DWN

CHK

APVD

PRODUCT SPEC  
製品規格

APPLICATION SPEC  
取付適用規格

WEIGHT

CUSTOMER DRAWING



SD MEMORY CARD CONNECTOR  
PUSH PUSH TYPE  
STANDARD H0

SIZE

CAGE CODE

DRAWING NO  
番号

RESTRICTED TO

A3

00779

G-

1939870

SCALE  
尺度 4:1

SHEET  
3 OF 4

REV  
D

4

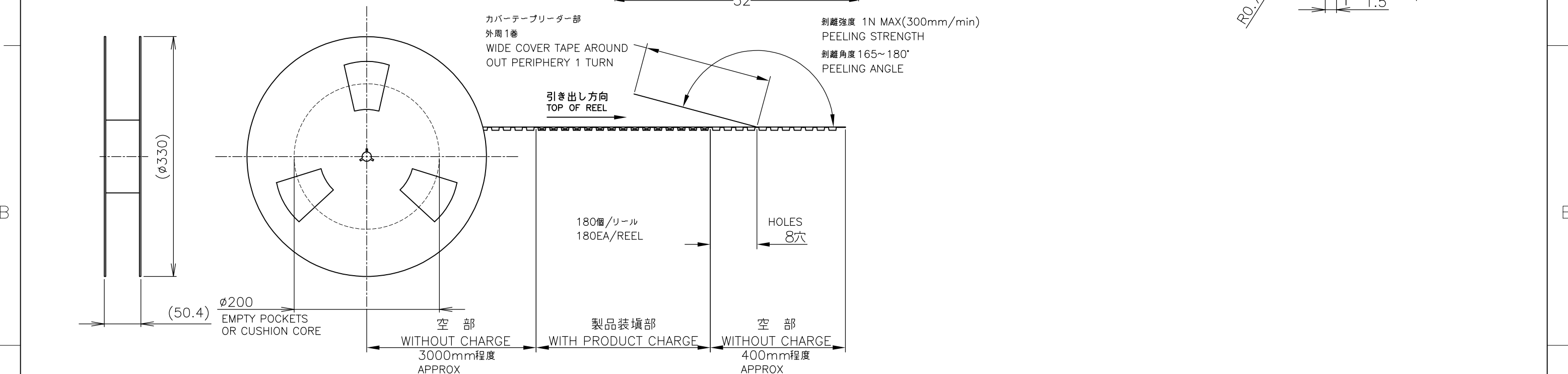
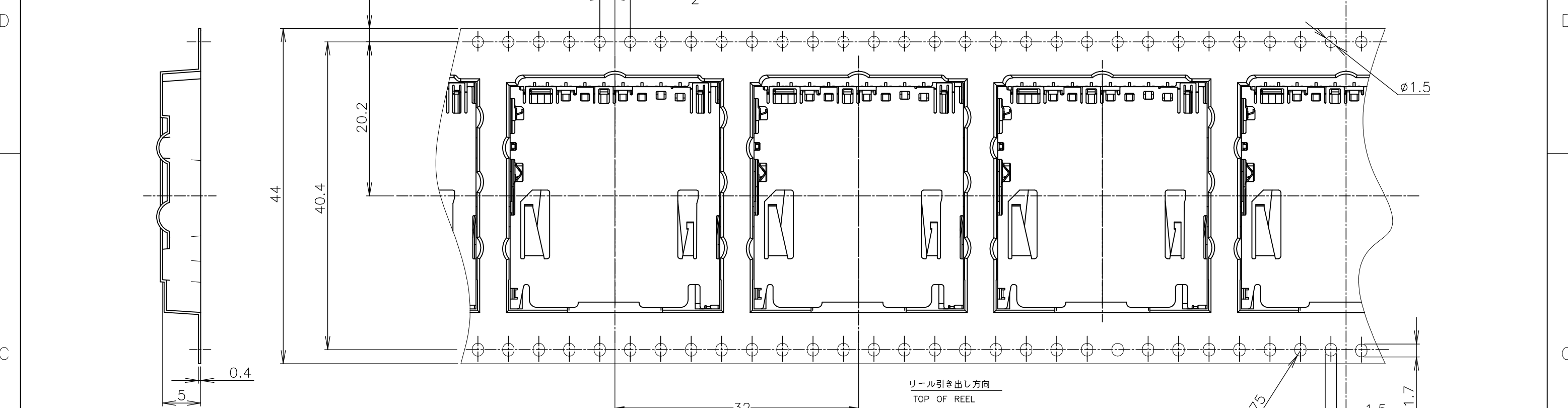
3

2

1

THIS DRAWING IS UNPUBLISHED. RELEASED FOR PUBLICATION MAR , 2003.  
 © COPYRIGHT 2004 By - ALL RIGHTS RESERVED.

LOC	DIST	REVISIONS		
J	/	変更	DATE	DWN
P	LTR	DESCRIPTION		APVD
		SEE SHEET 1	-	-



THIS DRAWING IS A CONTROLLED DOCUMENT.		DWN	-		TE Connectivity
		CHK	-		
		APVD	-		
DIMENSIONS: 単位: 耗 MM		TOLERANCES UNLESS OTHERWISE SPECIFIED: 一般公差		NAME 名称	
		0 PLC ± 0.3 1 PLC ± 0.3 2 PLC ± 0.3 3 PLC ± 0.3 4 PLC ± 0.3 ANGLES ± 3°		SD MEMORY CARD CONNECTOR PUSH PUSH TYPE STANDARD H0	
MATERIAL 材料		FINISH 仕上		SIZE CAGE CODE DRAWING NO 番号	
				A3 00779 C-1939870	
				RESTRICTED TO	
				-	
		CUSTOMER DRAWING		SCALE 尺度 2:1 SHEET 4 OF 4 REV D	