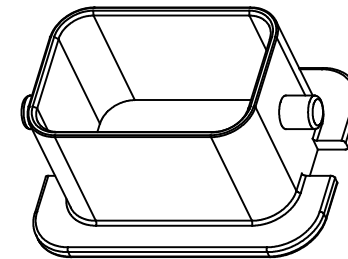
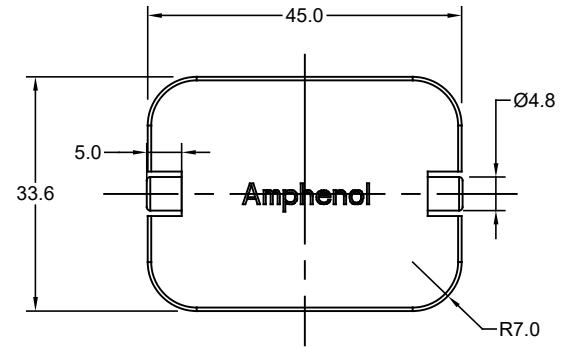
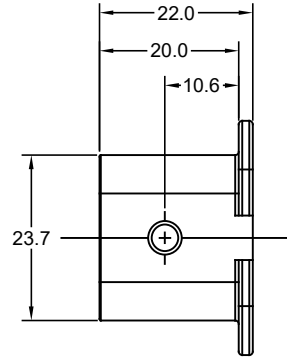
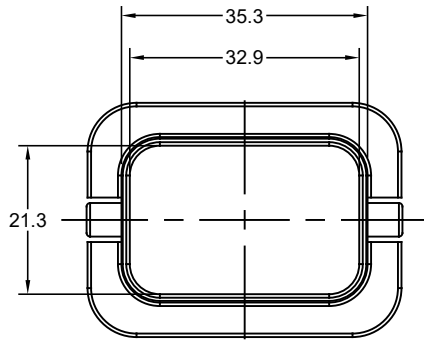


REVISIONS					
REV	ECO	DESCRIPTION	DATE	BY	APPR
A1	-	RELEASED DRAWING	May-15-2019	Flan	Tommy
A2	-	UPDATE DRAWING	Jun-29-2020	Ronald	Tommy



NOTES: (UNLESS OTHERWISE SPECIFIED)

- MATERIAL:
THERMOPLASTIC, UL94 V-0, WHITE.
- SPECIFICATIONS:
 - MATING CYCLES DURABILITY: 50 CYCLES MIN.
 - PROTECTION: IP54.
 - RoHS COMPLIANT.
- ALL DIMENSIONS ARE FOR REFERENCE USE ONLY.

TITLE: DURALOK ATV DUST CAP FOR PLUG
 DWG NO: PL000762
 REV: A2
 SH: 1
 OF: 1

QUANTITY	PART NUMBER	DESCRIPTION	ITEM
MATERIALS LIST			
<small>UNLESS OTHERWISE SPECIFIED</small> 1) All dimensions are in metric(mm) 2) Tolerances are as follows: 1 PL DEC ±0.30 Fractions ±1/64 2 PL DEC ±0.15 Angles ±1° 3 PL DEC ±0.08 3) Note reference =		SIGNATURES DATE DRAWN: Ronald Jun-29-2020 CHECKED: Flan Jun-30-2020 ENGINEER: APPROVAL: Tommy Jun-30-2020 CUSTOMER:	<div style="text-align: center;">Amphenol</div> Sine Systems - www.amphenol-sine.com 44724 Morley Drive Clinton Township, MI 48036
<small>MATERIAL SPECIFICATIONS:</small> <small>PROCESS SPECIFICATIONS:</small> <small>NEXT ASSY:</small>		<small>THIS DRAWING IS SUPPLIED FOR INFORMATION ONLY. DESIGN FEATURES, SPECIFICATIONS AND PERFORMANCE DATA SHOWN HEREON ARE THE PROPERTY OF THE AMPHENOL CORPORATION. NO RIGHTS OF REPRODUCTION ARE IMPLIED. ALL DIMENSIONS ARE SUBJECT TO NORMAL MANUFACTURING VARIATIONS.</small>	DURALOK ATV DUST CAP FOR PLUG SIZE: B TYPE: C- DWG NO: PL000762 REVISION: A2 SCALE: NONE SHEET 1 OF 1