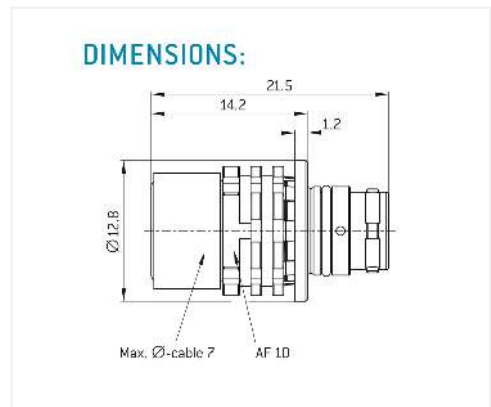
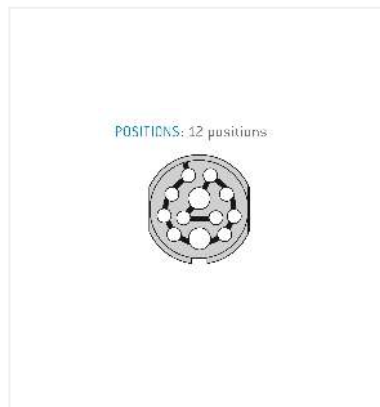
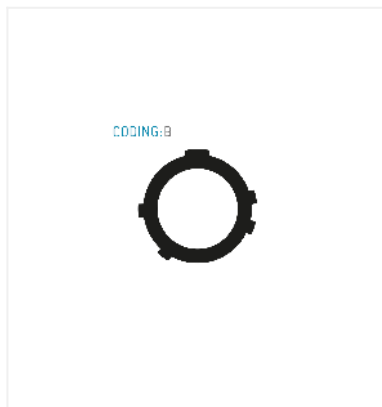


General information

Part number	A10WBM-P12XMM0-0000
Termination	solder
Size	0
Locking principle	break
Coding	b_key_amc
Cable Diameter	cable_amchd_0
Cable outlet	overmolding



Contact insert description

Number of contacts	12
Contact type	pins
Contact diameter	10_03_2_07mm
Insulator material	peek
Wire cross section	22_awg_28_awg
Termination	solder
Data transmission	usb_32

reverse_gender_on_request

Connection diagram

con_usb_32

Technical information

Nominal current single contact	1_5_a	iec_60512_5_2
Test voltage	075_kv_dc	eia_364_20f

safety_text

Mechanical and environmental data

Degree of protection*	ipsk8_ip6k9k
Operating temperature	51_125_c
Mating cycles	5000

mated

Material and surface treatments

Housing	ruthenium
Contact	cu_alloy_gold

data_text

safety_text_2

data_text

ul_text

illustrative_text