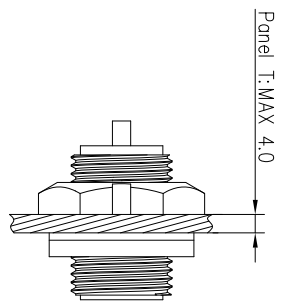
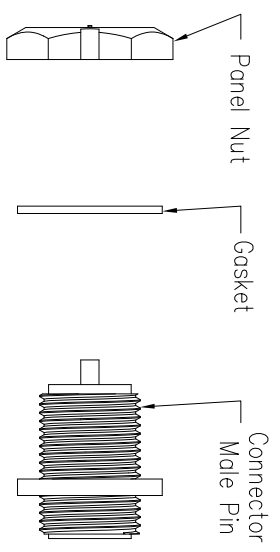
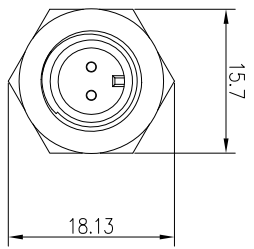
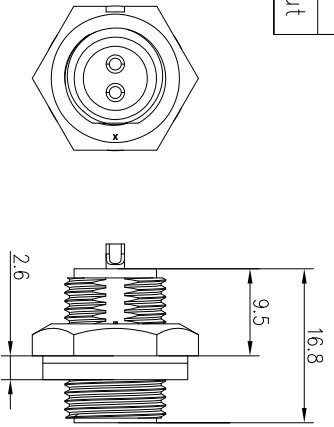
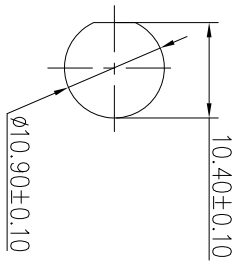


REV.	ECN NO.	DESCRIPTION	SIGN	DATE
C1	N/A	INITIAL DRAWING	Victory	2019/08/23

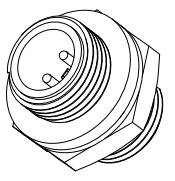


21XXX515-03

Pin Number

2 Pin	P/N: 21002515-03	P/N: 21003515-03	P/N: 21004515-03
3 Pin			
4 Pin			

Pin Assignments Front View



- Specification:
1. Operation Temperature: -45°C~105°C.
 2. Insulation Resistance: 100MΩ at DC 500V.
 3. Contact Resistance: <10mΩ.
 4. Withstand Voltage: 1500V AC.
 5. Operating Current: 5A.
 6. Operating Voltage: AC 110V.
 7. Waterproof Rate: IP67(Mated).
 8. Connector: Nylon+GF, Black.
 9. Panel Nut: Nylon, Black.
 10. Gasket: Silicon, Gray.
 11. Male Pin: Copper Alloy Gold Plated.
 12. Torque Rate: 0.5~0.7N • m.
 13. RoHS Compliant.
 14. UL Compliant.
 15. Mating Cap P/N: 806-00028-00

UNIT: mm		DESCRIPTION	Mini Series Screw Type Rear Mount With Male Pin
TOLERANCE		SCALE:	4:5
.X	±0.25	REV	C1
.XX	±0.15	SIZE	A4
.XXX	±0.05	SHEET	1 OF 1
ANGLES	±1°	* : Inspection Item	

CHOGORI

PART NO	21XXX515-03	DRAWN BY	Victory	DATE	2019/08/23
DWG NO		CHECKED BY	Ivan	DATE	2019/08/23
CUSTOMER		APPROVED BY	Ponson	DATE	2019/08/23