

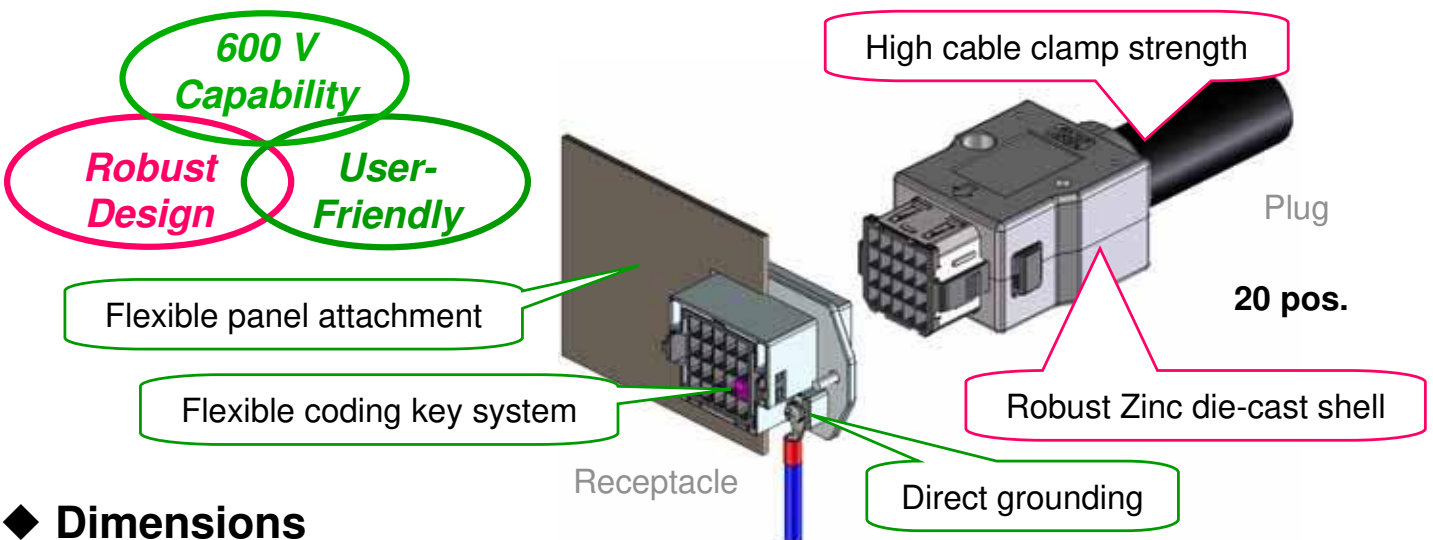
High Power Supply Die-Casting Connector for Industrial Machines



◆ Features

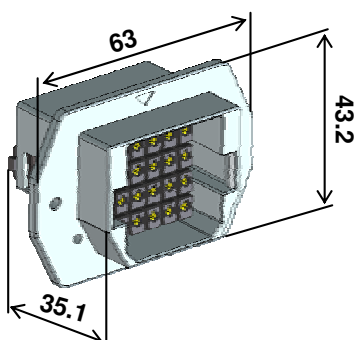
1. 600 V capability supporting NFPA79 compliant cables
2. Robust and enhanced shielding die-cast shell
3. Side lock with clear tactile click
4. In-line type is also available.
5. 3-point contacts and sequential mate contact structure
6. Flexible and varieties of coding key system
7. Security standard (TÜV/UL) to be approved
8. RoHS compliant, Halogen-free product*

*This product satisfies halogen free requirements defined as 900 ppm maximum chlorine, 900 ppm maximum bromine, and 1500 ppm maximum total of chlorine and bromine.

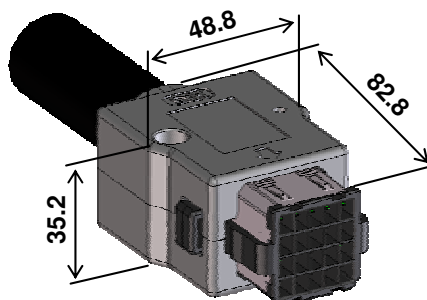


◆ Dimensions

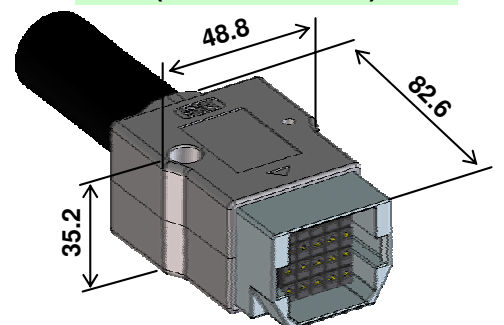
Panel Attachment Receptacle (Female Contact)



Cable Plug (Male Contact)



In-Line Receptacle (Female Contact)



All the dimensions in millimeters.

Specifications herein are subject to change without notice. Contact Hirose for latest specifications, drawings or availabilities.