

HFTX. Oil level sight glass

Technopolymer

METRIC

BSP

RoHS

PA-T

+100°
-30°



MATERIAL

Transparent polyamide based (PA-T) technopolymer. Avoid contact with alcohol or detergents containing alcohol.



PACKING RING

NBR synthetic rubber.



STANDARD EXECUTIONS

- **HFTX.**: with matte anodised aluminium star-shaped contrast screen with red central level point.
- **HFTX/SL**: without contrast screen.



MAXIMUM CONTINUOUS WORKING TEMPERATURE

100°C.



FEATURES

The particular shape of the magnifying lens increases and improves visibility even from side positions.



TECHNICAL DATA

The tightening torque indicated in the table guarantees an optimal tightness, keeping the packing ring in the correct position.



NOTE

For use with other fluids with special additives, please contact ELESA Sales Department.



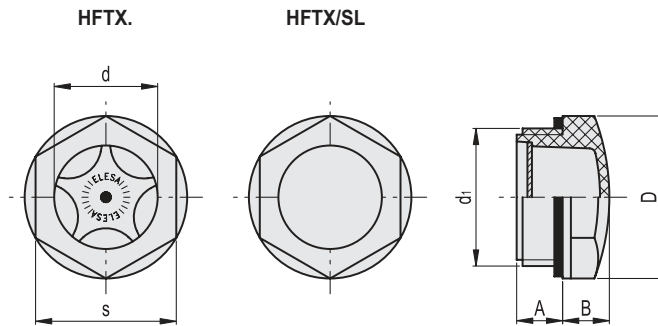
ACCESSORIES ON REQUEST

Brass nut type GH. (see page 1201) for fitting to reservoirs with wall thickness smaller than 5 mm.



ELESA Original design

Conversion Table	
1 mm = 0.039 inch	
d	
mm	inch
9	0.35
11	0.43
14	0.55
18	0.71
20	0.79
22	0.87
25	0.98
30	1.18



HFTX.		HFTX/SL		METRIC				METRIC		Tightening torque [Nm]	⚖️
Code	Description	Code	Description	d1	A	B	D	d	s		
13661	HFTX.11-M16x1.5	13666	HFTX.11/SL-M16x1.5	M16x1.5	8	7	22	11	19	2+3	4
13681	HFTX.14-M20x1.5	13686	HFTX.14/SL-M20x1.5	M20x1.5	9.5	8	26	14	22	8+10	5
13701	HFTX.18-M25x1.5	13706	HFTX.18/SL-M25x1.5	M25x1.5	8	9	31.5	18	27	8+10	8
13711	HFTX.19-M27x1.5	13716	HFTX.19/SL-M27x1.5	M27x1.5	9	9	31.5	20	27	8+10	8
13726	HFTX.21-M26x1.5	13728	HFTX.21/SL-M26x1.5	M26x1.5	13	9	31.5	18	27	8+10	8
13731	HFTX.22-M30x1.5	13736	HFTX.22/SL-M30x1.5	M30x1.5	9	10	35	22	30	8+10	10
13751	HFTX.26-M35x1.5	13756	HFTX.26/SL-M35x1.5	M35x1.5	11	10	40	25	34	8+10	13
13771	HFTX.31-M40x1.5	13776	HFTX.31/SL-M40x1.5	M40x1.5	11.5	13	47	30	40.5	8+10	20

HFTX.		HFTX/SL		BSP				METRIC		Tightening torque [Nm]	⚖️
Code	Description	Code	Description	d1	A	B	D	d	s		
13651	HFTX.9-1/4	13656	HFTX.9/SL-1/4	G 1/4	10	6	18	9	15	2+3	3
13671	HFTX.12-3/8	13676	HFTX.12/SL-3/8	G 3/8	7.5	7	22	11	19	3+5	4
13691	HFTX.15-1/2	13696	HFTX.15/SL-1/2	G 1/2	10.5	8	26	14	22	4+6	5
13721	HFTX.20-3/4	13727	HFTX.20/SL-3/4	G 3/4	10.5	9	31.5	20	27	6+8	8
13741	HFTX.24-1	13746	HFTX.24/SL-1	G 1	11	10	40	25	34	8+10	12
13761	HFTX.30-1¼	13766	HFTX.30/SL-1¼	G1 1/4	11.5	13	47	30	40.5	8+10	20

Accessories for hydraulic systems