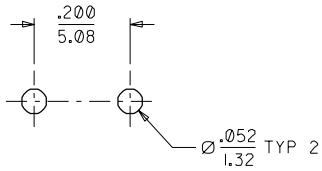
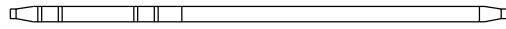
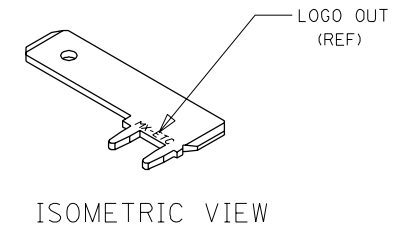
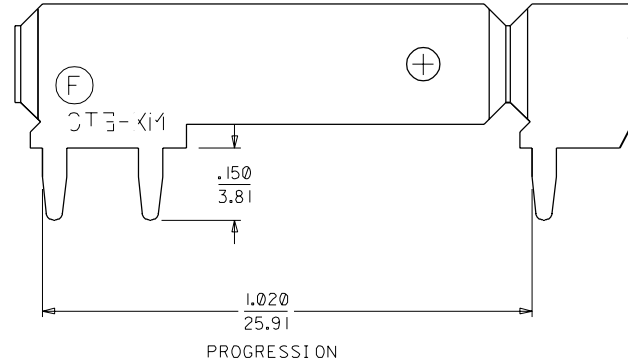
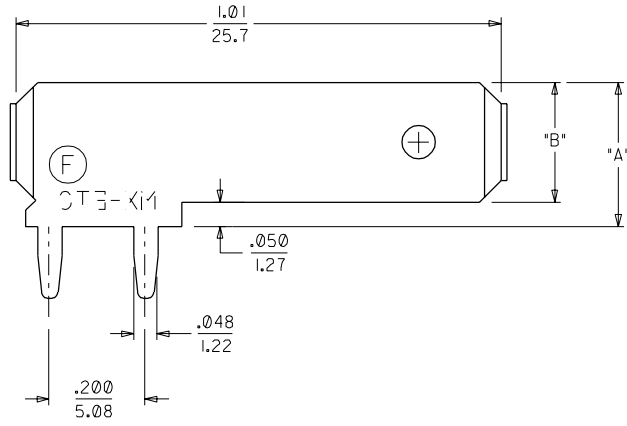
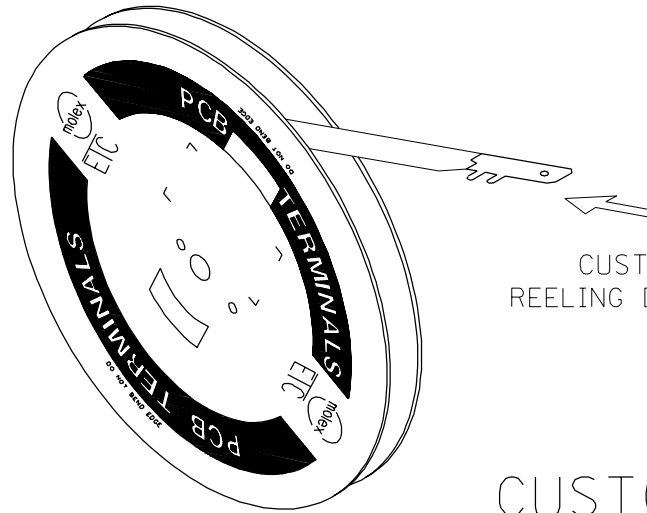


MATERIAL NUMBER	ENGINEERING NUMBER	CUSTOMER NUMBER	CARRIER	PLATING SEE NOTE 6 & 7.	DIMENSION "A"	DIMENSION "B"	HOLE
197114001	19711-4001	-	LOOSE	TIN/LEAD	.300	.250	YES
197114003	19711-4003	-	STRIP	TIN/LEAD	.300	.250	YES
197114005	19711-4005	-	LOOSE	TIN/LEAD	.300	.250	OMIT
197114007	19711-4007	-	STRIP	TIN/LEAD	.300	.250	OMIT



RECOMMENDED P.W.B.
HOLE LAYOUT



CUSTOMER DRAWING

- NOTES:
1. BARE EDGES PERMISSIBLE AT CARRIER CUT OFF.
 2. MATERIAL: BRASS.
 3. MATERIAL THICKNESS: .032 ±.001/(0.813 ±0.03)
 4. TAB CONFORMS TO NEMA SPECIFICATIONS.
 5. ALL DIMENSIONS AND NOTES ARE REFERENCE ONLY UNLESS NOTED.
 6. PLATING: THICKNESS:90/10 TIN/LEAD: 150 μ in(3.81μm) MIN THICKNESS.
 7. FINISH: MATTE

MOVED LOGO FARSD EC NO. ETC2002-0182 DRAWING: 01/12/12 CHK: HEB 01/12/12 APPR: RWD 01/12/12	QUALITY SYMBOLS MAJOR $\nabla = 0$ CRITICAL $\nabla = 0$	GENERAL TOLERANCES: (UNLESS SPECIFIED)	SCALE: 5:1 DESIGN UNITS: <input type="checkbox"/> mm <input checked="" type="checkbox"/> INCH	DIMENSIONS: <input type="checkbox"/> mm <input checked="" type="checkbox"/> INCH <input type="checkbox"/> mm ONLY	SHT REV REVISE ON CAD ONLY
	DESCRIPTION 4 PLACES ±0. ±. 3 PLACES ±0. ±.005 2 PLACES ±0.13 ±.01 1 PLACE ±0.25 ±. ANGULAR: ± 1/2 °	DRAWN BY & DATE JH 98/04/28 CHECKED BY & DATE RWD 98/04/28 APPROVED BY & DATE RWD 98/04/28	TITLE: QUICK DISCONNECT PCB MOUNTABLE .250 X .032 TAB MOLEX INCORPORATED		
REV F	DRAFT WHERE APPLICABLE MUST REMAIN WITHIN DIMENSIONS	CAD FILENAME SD-19711-400 .DGN	MATERIAL NO. SEE CHART	DRAWING NO. SD-19711-400	SHEET NO. 1 OF 1 SIZE C