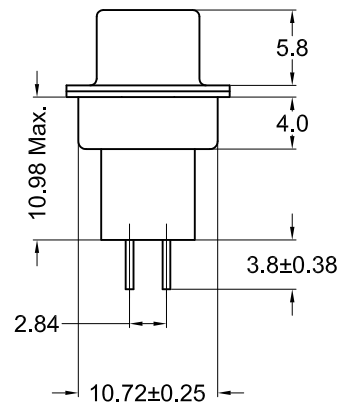


Recommended PCB Layout
(Top View)

Boardlock not shown
in this view



Material and Finish

Shell: Steel, Nickel plated
 Insulator: PBT thermoplastic with glass-fiber reinforcement, UL94V-0 rated
 Color: Black

Contact Material:
 Socket - Phosphor Bronze

Contact Plating Options:

Standard: gold flash on mating end, tin on termination end, nickel underplate on entire contact

15 Option: 15u" gold on mating end, tin on termination end, nickel underplate on entire contact

30 Option: 30u" gold on mating end, tin on termination end, nickel underplate on entire contact

Electrical Specifications

Rated Current: 2A
 Rated Voltage: 30V RMS
 Insulation Resistance: more than 1000 megohms at 500V DC
 Contact Resistance: 13 milliohms max.
 Dielectric Withstanding Voltage: 1000V for 1 minute
 Operating Temperature: -55°C to +105°C

Part Number	Contact Area Plating Finish
K88X-CD-37S-BR	Gold Flash (standard option)
K88X-CD-37S-BR15	15u" Gold (15 option)
K88X-CD-37S-BR30	30u" Gold (30 option)

Tolerances
X.X ± 0.25
X.XX ± 0.15
Unless Stated Otherwise



REV.	DATE	DESCRIPTION	REV. BY	CHK. BY	DRAWN BY	DATE
A1	08/14/09	New Drawing	S. Vien	H. MA	S. Vien	05/29/09
A2	12/08/10	ECO# 10-091	S. Vien	H. MA		
A3	12/31/17	ECO #17-035	G. Serrato	C. Furumasu		
					UNITS	
					mm	

K88X-CD-37S-BR

D-Sub, Vertical, High Profile, RoHS Compliant

37 Pos., Female, Boardlocks

