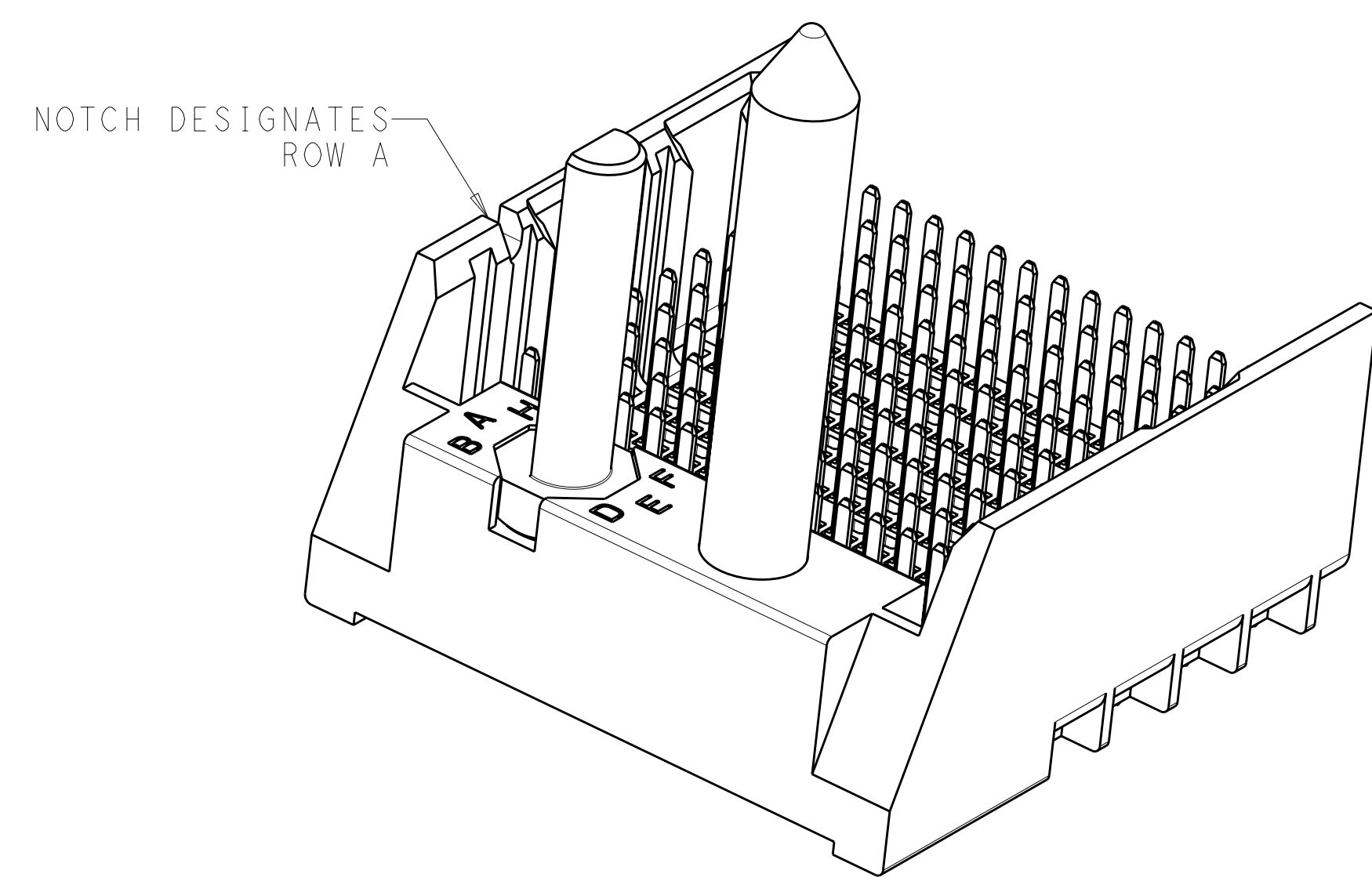
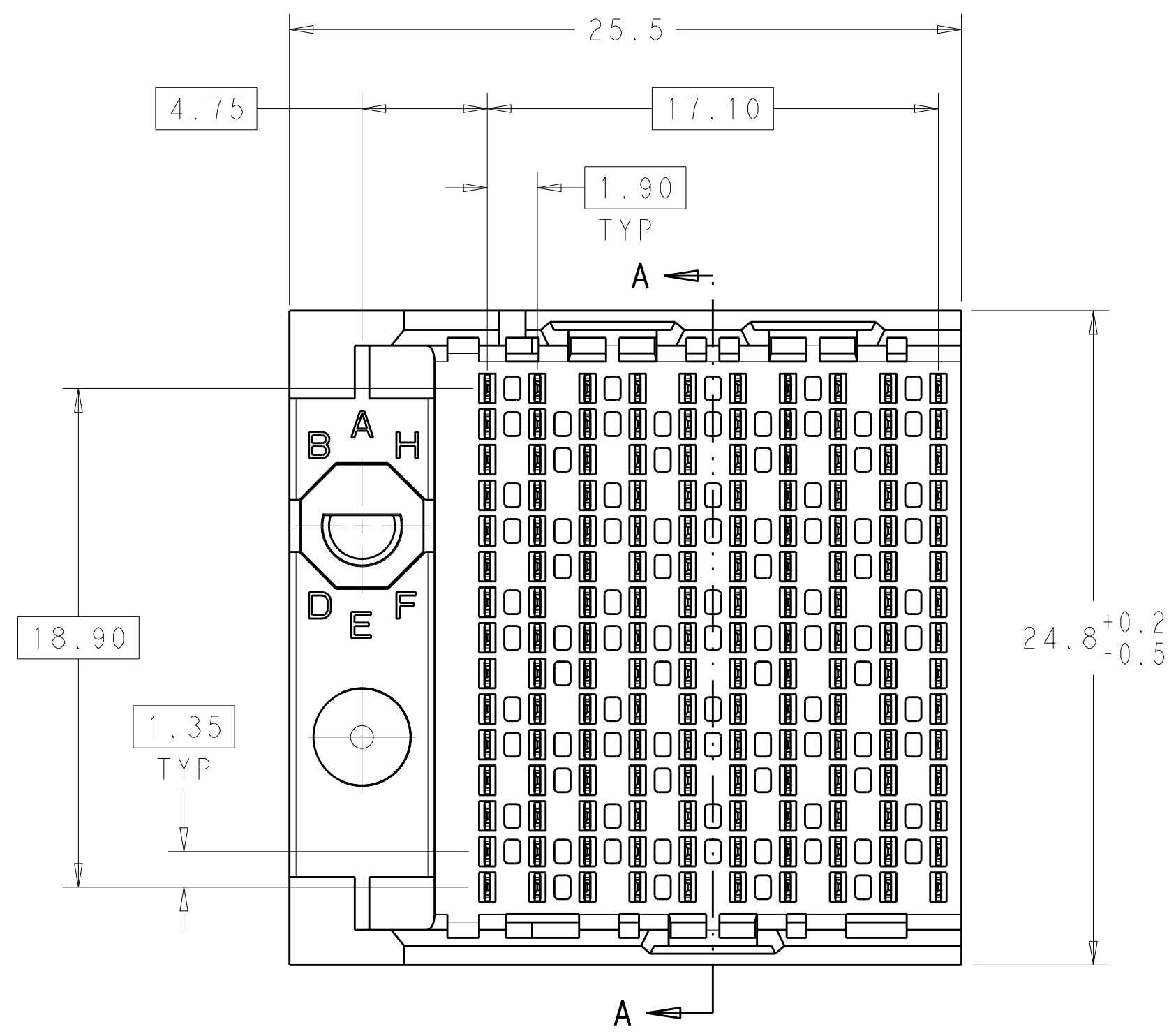
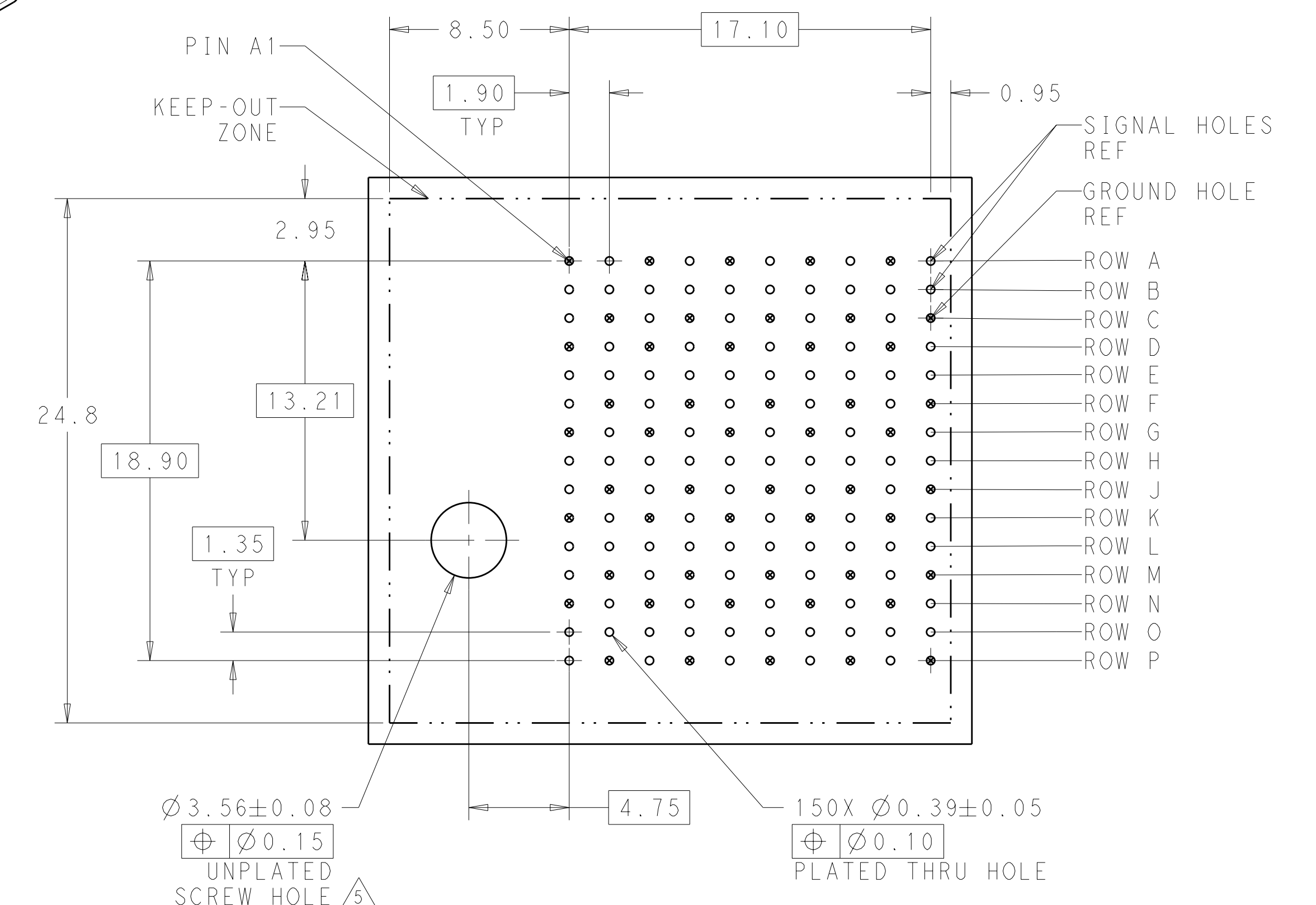


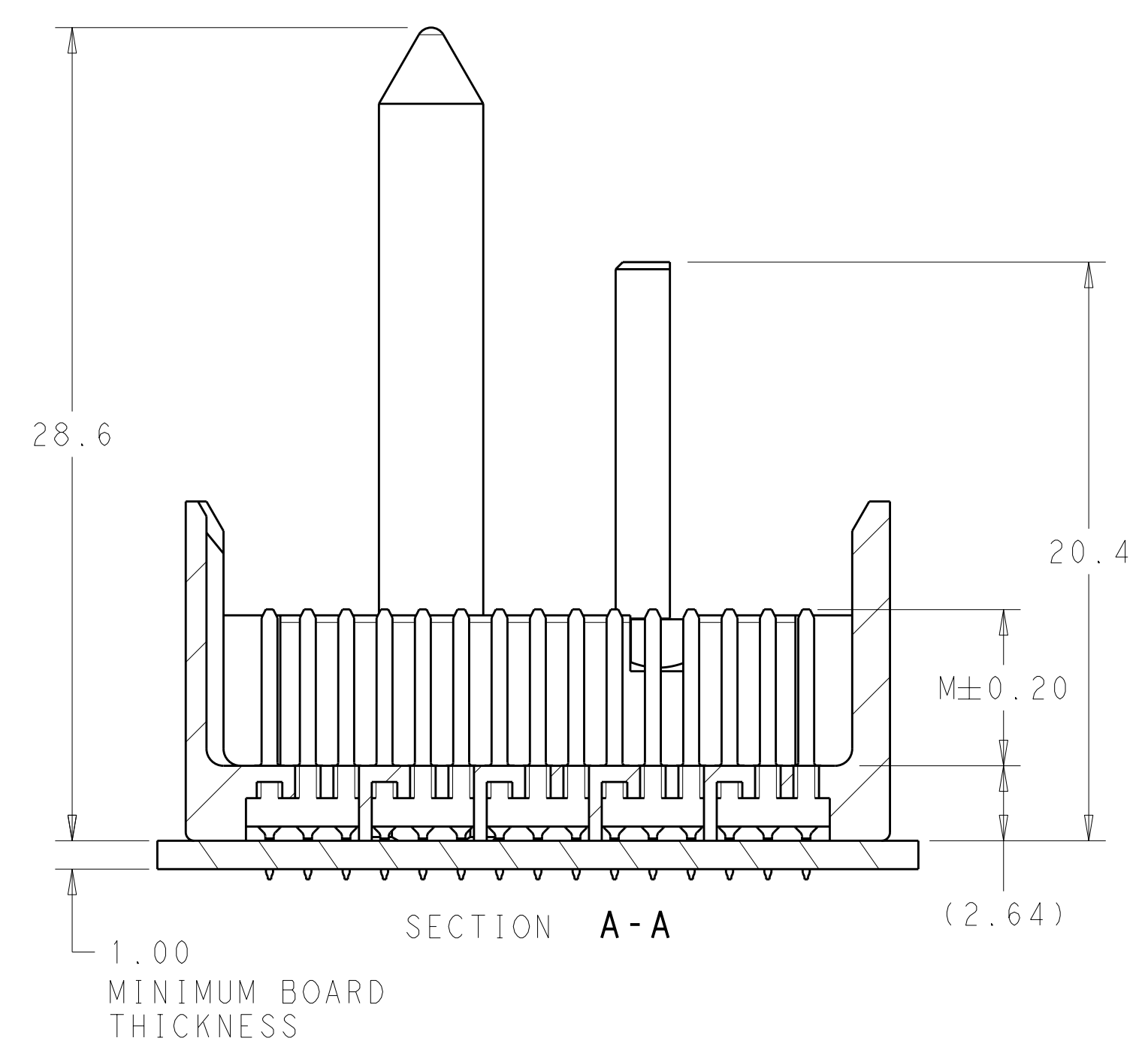
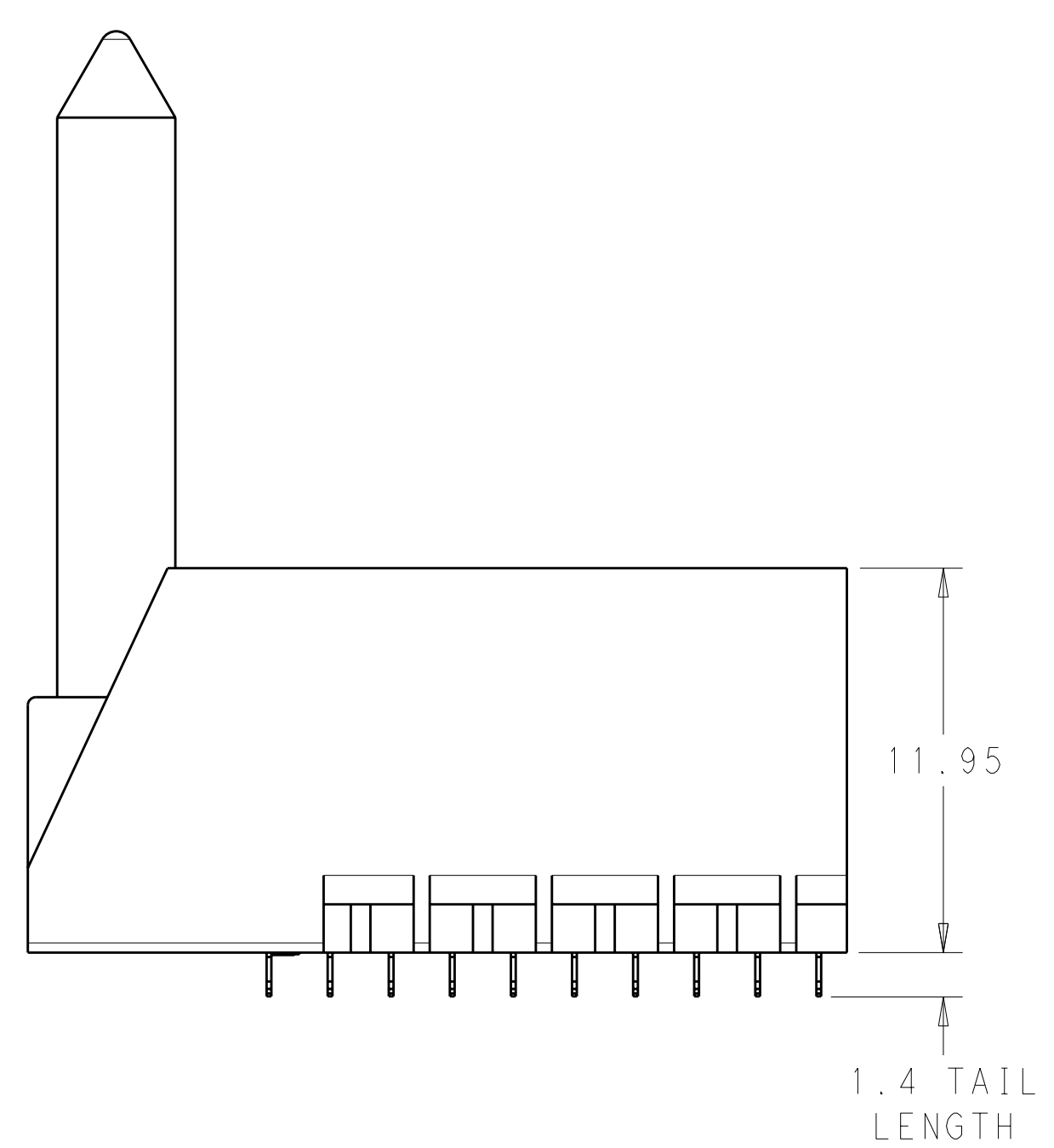
LOC		DIST		REVISIONS			
AD	00	P	LTR	DESCRIPTION	DATE	DWN	APVD
		1		DRAWING CREATED BY AUTOMATION PROGRAM	24FEB2011	JKS	JE
		A		RELEASED	24FEB2012	BC	DY



- 1 MATERIAL:
HOUSING: LCP, GLASS FILLED, UL94V-0.
TERMINALS: HIGH PERFORMANCE COPPER ALLOY.
- 2 FINISH:
30µ" MIN GOLD IN CONTACT AREA. SELECTIVE TIN ON PCB TAILS, NICKEL OVERALL.
- 3 FINISH:
30µ" MIN GOLD IN CONTACT AREA. SELECTIVE TIN-LEAD ON PCB TAILS, NICKEL OVERALL.
- 4. SCREWS PACKAGED IN END OF PACKAGING TUBE.
- 5 FOR GROUNDED GUIDE PIN USE Ø3.56±0.08 PTH, Ø3.66 DRILL, AND Ø6.5 PAD.
- 6. KEYING PIN SHOWN IN POSITION A, SEE KEYING CHART ON SHEET 2 FOR OTHER POSITIONS.



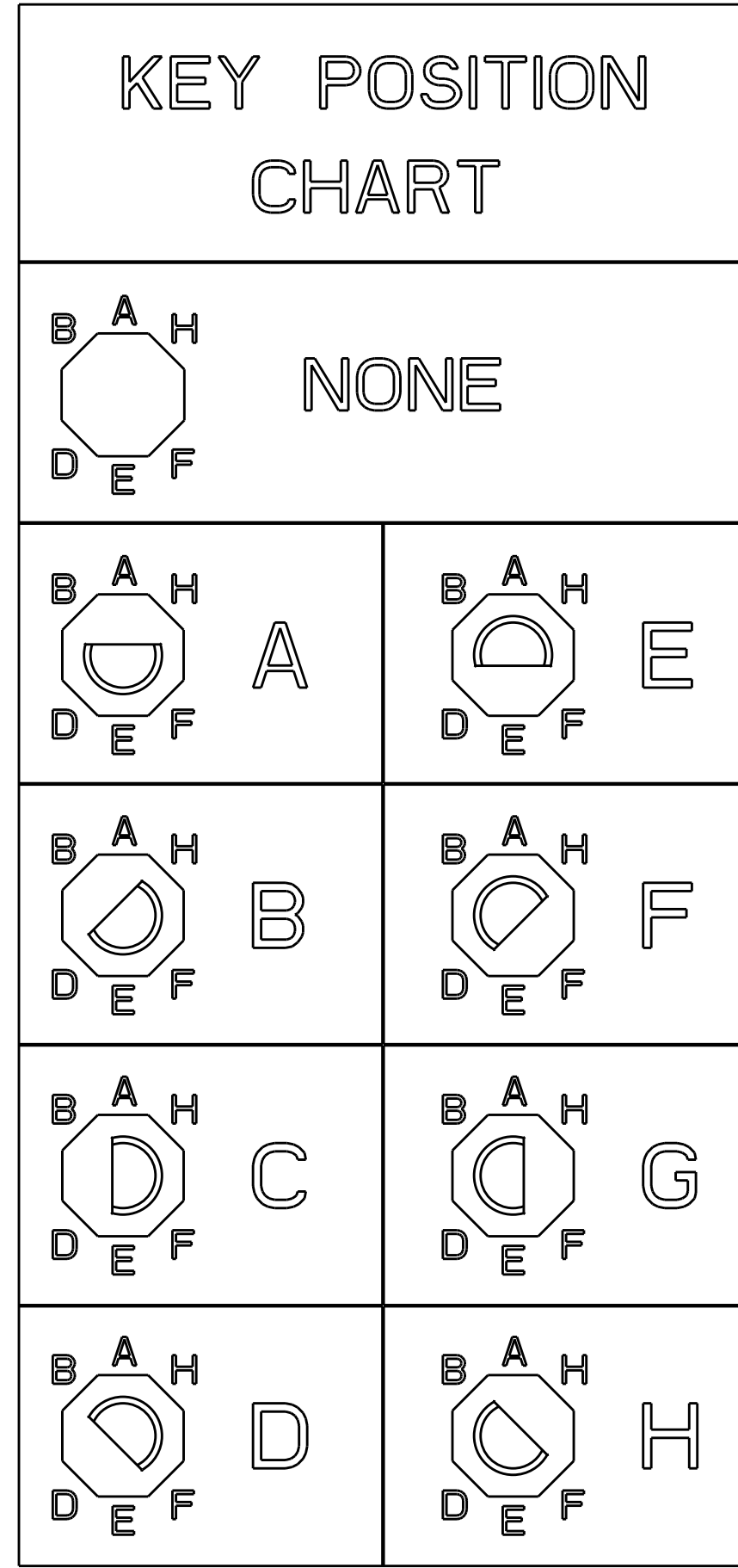
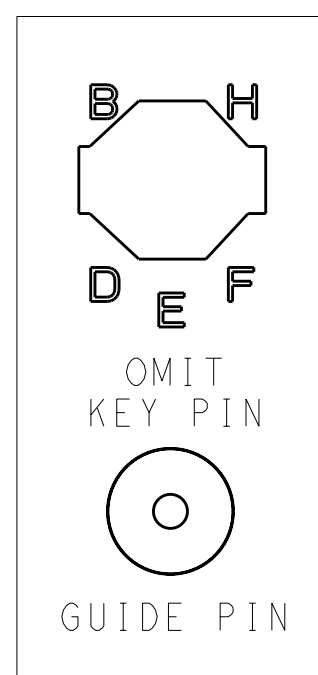
LEFT GUIDED BACKPLANE HOLE PATTERN (CONNECTOR SIDE)



THIS DRAWING IS A CONTROLLED DOCUMENT.		DWN J. K. SHOBER 24FEB2011	STE TE Connectivity
DIMENSIONS: mm		CHK J. EARY 24FEB2011	
TOLERANCES UNLESS OTHERWISE SPECIFIED:		APVD J. EARY 24FEB2011	
9 PLC ± 1 PLC ±0.25 3 PLC ±0.13 5 PLC ± 4 PLC ± ANGLES ± FINISH SEE TABLE		NAME IMPACT, 5 PAIR, 10 COLUMN, HEADER PRODUCT SPEC LEFT GUIDED, OPEN END WALL APPLICATION SPEC SELECT LOAD, SIGNAL MODULE, 0.39 PTH SIZE CAGE CODE DRAWING NO. RESTRICTED TO WEIGHT A1100779C=2180313 CUSTOMER DRAWING SCALE 5:1 SHEET 1 OF 2 REV A	

LOC	DIST	REV	DATE	BY	APPD
AD	00	-	-	-	-
DESCRIPTION			DATE	DWN	APPD
SEE SHEET 1			-	-	-

2180313-1										
PART NUMBER		FINISH								
CONTACT LAYOUT										
A = 4.5mm (DIM M)										
B = 4.9mm (DIM M)										
C = 5.5mm (DIM M)										
COLUMNS										
	1	2	3	4	5	6	7	8	9	10
A	A	C	C	C	C	C	C	C	C	C
B	C	C	C	C	C	C	C	C	C	C
C	C	C	C	C	C	C	C	C	C	C
D	C	C	C	C	C	C	C	C	C	C
E	C	C	C	C	C	C	C	C	C	C
F	C	C	C	C	C	C	C	C	C	C
G	C	C	C	C	C	C	C	C	C	C
H	C	C	C	C	C	C	C	C	C	C
J	C	C	C	C	C	C	C	C	C	C
K	C	C	C	C	C	C	C	C	C	C
L	C	C	C	C	C	C	C	C	C	C
M	C	C	C	C	C	C	C	C	C	C
N	C	C	C	C	C	C	C	C	C	C
O	C	C	C	C	C	C	C	C	C	C
P	C	C	C	C	C	C	C	C	C	C



REFER TO WWW.TE.COM FOR PRODUCT AVAILABILITY

THIS DRAWING IS A CONTROLLED DOCUMENT.		DWN	J. K. SHOBER	24FEB2011		TE Connectivity								
DIMENSIONS:		CHK	J. EARY	24FEB2011										
mm	TOLERANCES UNLESS OTHERWISE SPECIFIED:	APVD	J. EARY	24FEB2011	NAME	IMPACT, 5 PAIR, 10 COLUMN, HEADER LEFT GUIDED, OPEN END WALL SELECT LOAD, SIGNAL MODULE, 0.39 PTH								
	9 PLC ±	PRODUCT SPEC			SIZE	CAGE CODE	DRAWING NO	RESTRICTED TO						
	2 PLC ±0.25	APPLICATION SPEC			A1100779	C=2180313								
	5 PLC ±0.13	WEIGHT			CUSTOMER DRAWING		SCALE	5:1	SHEET	2	OF	2	REV	A
	4 PLC ±													
	ANGLES ±													
MATERIAL	FINISH													
	SEE TABLE													