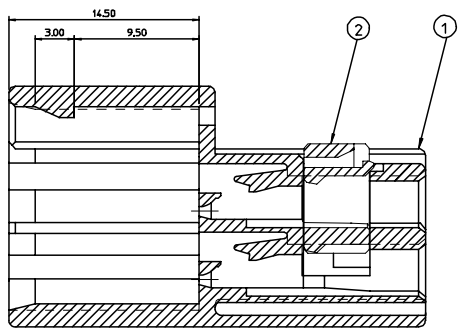
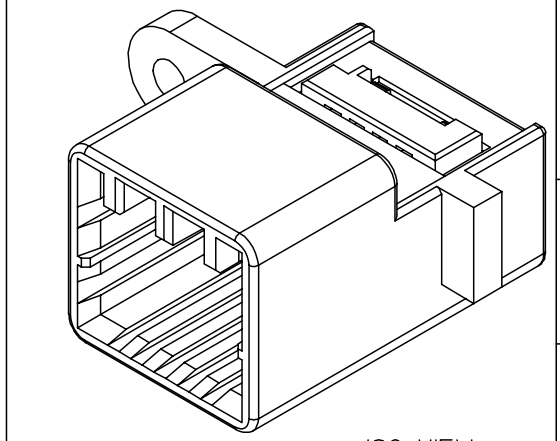
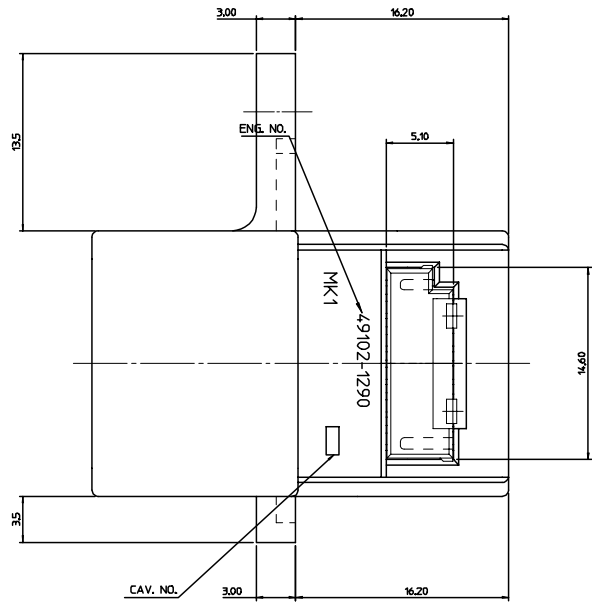


DWG. NO. SD-49102-001
 SIMILAR ITEM
 PROJECT NO.
 E
 D
 C
 B
 DO NOT SCALE DRAWING
 DIMENSION IN METRIC

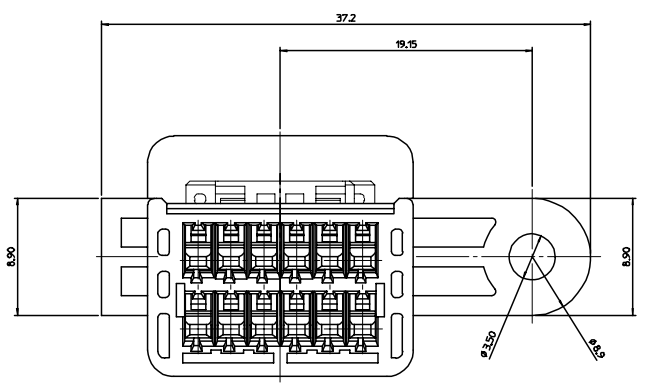
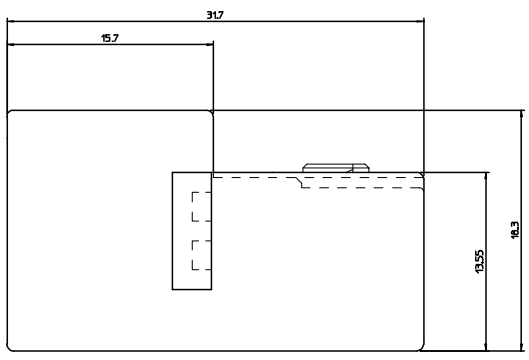
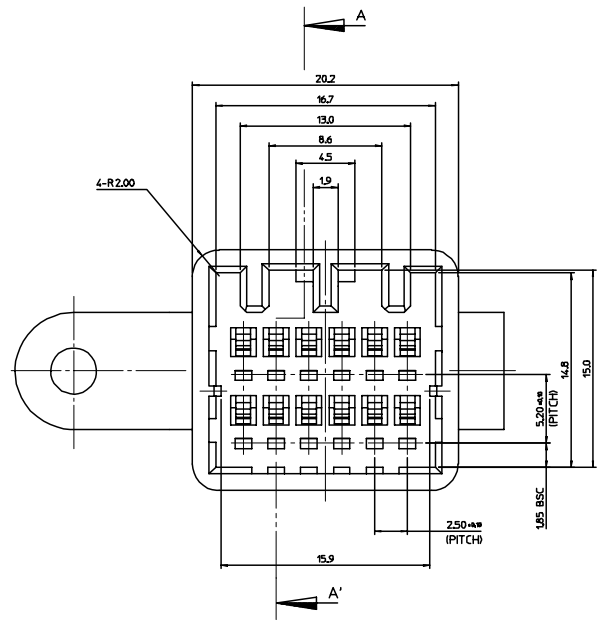


SECTION A-A'



ISO VIEW

NO.	PART NAME	PART NO.	MATERIAL	REMARKS
1	M/HSG 12P	49102-1290	POLYESTER	NATURAL
2	M/TPA	49103-1283	POLYESTER	YELLOW



- <NOTE>
1. MATERIAL : POLYESTER(PBT) UL 94HB
 2. APPLICABLE TERMINAL : 50660-9001
 3. APPLICATION FEMALE HOUSING : 64002-1215

MATERIAL NO.	ENG. NO.
491021210	49102-1210

NEW RELEASE ECN NO. ADR2005-0162 DRAWN: JMKR 05/02/14 CHK: B.C.YOON 05/02/14 APPLICABLE	QUALITY SYMBOLS MAJOR CRITICAL	GENERAL TOLERANCES (UNLESS SPECIFIED) mm inch	SCALE 4:1	DESIGN UNITS <input checked="" type="checkbox"/> mm <input type="checkbox"/> inch	THIRD ANGLE PROJECTION <input checked="" type="checkbox"/> <input type="checkbox"/>	DIMENSIONS: mm inch mm mm only	SHT REV	
	DESCRIPTION REV	4 PLACES ±0.1 ± 3 PLACES ±0.1 ± 2 PLACES ±0.2 ± 1 PLACE ±0.3 ± ANGULAR: ± 1°	DRAWN BY & DATE S.M.JMKH 04/08/31	CHECKED BY & DATE B.C.YOON 04/08/31	APPROVED BY & DATE C.W.LEE 04/08/31	CAD FILE NAME SD49102JHI	TITLE .040 MIRROR MALE HSG 12P ASS'Y	SEE TABLE
MATERIAL NO. 491021210		ENG. NO. 49102-1210	MATERIAL NO. SEE TABLE		DRAWING NO. SD-49102-001	SHEET NO. 10F1	SIZE C	
DRAFT WHERE APPLICABLE MUST REMAIN WITHIN DIMENSIONS		THIS DRAWING CONTAINS INFORMATION THAT IS PROPRIETARY TO MOLEX INCORPORATED AND SHOULD NOT BE USED WITHOUT WRITTEN PERMISSION.						KOREA MX-A2