

## **TPS3860xxEVM-736 Evaluation Modules**

---



---



---

This user's guide describes the evaluation modules (EVM) for the TPS386000 (TPS386000EVM-736) and TPS386040 (TPS386040EVM-736). The TPS386000 and TPS386040 are quad supervisors with built-in watchdog timer (WDT), manual reset, programmable delay, and a windowed or positive and negative monitor.

### **Contents**

1	Description .....	2
	1.1 General Features .....	2
	1.2 Orderable Options .....	2
2	Schematic .....	3
3	EVM Input/Output Connectors .....	4
4	General Operation and Functionality .....	4
	4.1 Input Power .....	4
	4.2 Supervisor Inputs .....	4
	4.3 RESET Outputs .....	5
	4.4 RESET Timing Delay .....	6
	4.5 Watchdog Timer Function .....	7
5	EVM Assembly Drawings and Layout Guidelines .....	8
	5.1 PCB Drawings .....	8
	5.2 Layouts Guidelines .....	10
6	Bill of Materials .....	11

### **List of Figures**

1	TPS3860xxEVM-736 Schematic .....	3
2	RESET1 Timing for VCC1 From 0 V to 3.3 V .....	6
3	WDT Timing and Operation .....	7
4	Top-Side Placement/Routing .....	8
5	Top-Side Layout/Routing .....	9
6	Bottom-Side Layout/Routing .....	10

### **List of Tables**

1	EVM Input/Output Connectors .....	4
2	TPS3860xxEVM-736 Bill of Materials .....	11

## 1 Description

The TPS3860xxEVM-736 can be used to evaluate the various features of the TPS3860xx family of supervisors. Through resistor dividers, each supervisor can be individually configured to monitor voltages as low as 0.4 V with the EVM initially being set up for 3.3 V - 12%, 2.5 V - 6%, and 1.8 V - 7 % for supervisors 1 through 3, respectively. The fourth supervisor (SENSE4L and SENSE4H) can be configured for either windowed or positive and negative monitoring, with the EVM default being set as a 1.2 V  $\pm$  7% windowed supervisor. The delays for each supervisor can also be individually set through timing capacitors. An input and output are provided for the WDT as well as an input for the manual reset.

### 1.1 General Features

- Inputs provided for all four supervisors, including a negative supply input for the fourth supervisor
- Placeholders to configure supervisor 4 for positive and negative monitoring
- Watchdog timer input and output
- Manual reset input
- Replaceable timing capacitors to independently program the delay of each supervisor

### 1.2 Orderable Options

- TPS386000EVM-736 - 4-channel supervisor/sequencer with open-drain RESET outputs
- TPS386040EVM-736 - 4-channel supervisor/sequencer with push-pull RESET outputs

2 Schematic

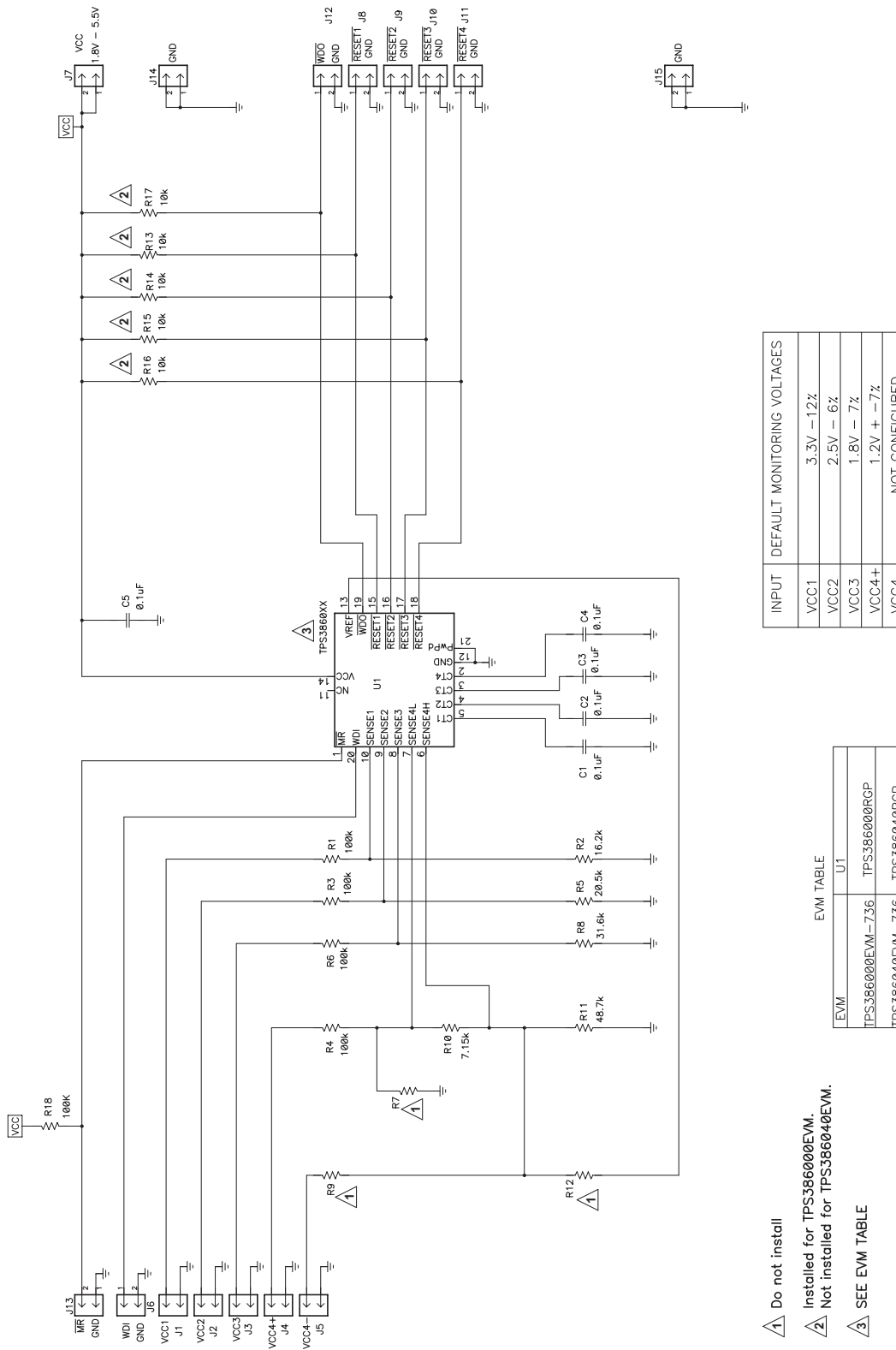


Figure 1. TPS3860xxEVM-736 Schematic

### 3 EVM Input/Output Connectors

**Table 1. EVM Input/Output Connectors**

Connector	Description
J1	Supervisor-1 input and GND (default: 3.3 V - 12%)
J2	Supervisor-2 input and GND (Default: 2.5 V - 6%)
J3	Supervisor-3 input and GND (Default: 1.8 V - 7%)
J4	Supervisor-4 window and positive supply input and GND (default: 1.2 V $\pm$ 7%)
J5	Supervisor-4 negative supply input and GND (default: not configured)
J6	Watchdog timer input and GND
J7	VCC connector (1.8 V – 5.5 V)
J8	RESET1 output and GND
J9	RESET2 output and GND
J10	RESET3 output and GND
J11	RESET4 output and GND
J12	Watchdog timer output and GND
J13	Manual reset input and GND
J14	GND
J15	GND

### 4 General Operation and Functionality

The following paragraphs describe the functionality and operation of the TPS3860xxEVM-736.

#### 4.1 Input Power

The TPS3860xx family of supervisors requires a VCC voltage between 1.8 V and 5.5 V. This voltage can be supplied through J7 and its return through J14. The chip itself only requires 12  $\mu$ A to operate.

#### 4.2 Supervisor Inputs

The TPS3860xx supervisor inputs (SENSE1, SENSE2, SENSE3, SENSE4L, and SENSE4H) can be used to monitor voltages down to 0.4 V. The default EVM configuration monitors 3.3 V - 12%, 2.5 V - 6%, 1.8 V - 7%, and 1.2 V  $\pm$  7% through supervisors 1 through 4, respectively. If voltages other than the defaults are desired, the SENSE input trip points can be adjusted by changing the resistor dividers using the following equations as given in the data sheet ( $R_U$  is the upper resistor,  $R_L$  is the lower):

$$V_{ITN} = 400 \text{ mV}$$

$$R_U = R_L \times \left( \frac{V_{CC\_TARGET}}{V_{ITN}} \right) - 1$$

$$V_{CC\_ACTUAL} = V_{ITN} \times \left( \frac{R_U}{R_L} + 1 \right)$$

Example for 3.3 V – 12% :

$$V_{CC\_TARGET} = 2.904 \text{ V, Choose } R_L = 34.0 \text{ k}\Omega$$

$$R_U = 34.0 \text{ k}\Omega \times \left( \frac{2.904 \text{ V}}{0.4 \text{ V}} - 1 \right) = 212.84 \text{ k}\Omega \text{ (Choose 215 k}\Omega)$$

$$V_{CC\_ACTUAL} = 0.4 \text{ V} \times \left( \frac{215 \text{ k}\Omega}{34.0 \text{ k}\Omega} + 1 \right) = 2.929 \text{ V}$$

(1)

Additionally, the SENSE4H input can be used along with  $V_{REF}$  to monitor negative voltages applied at J5. The EVM is not configured by default for negative voltage monitoring. In order to use this feature, R10 and R11 need to be removed and R7, R9, and R12 need to be installed. The values for the resistor dividers can be calculated using the equations from the data sheet, including the equations for using a windowed supervisor. The following is an example of setting up a positive and negative supervisor for a -5-V supply ( $R_U$  is the resistor from  $V_{REF}$  to SENSE4H, and  $R_L$  is the resistor from SENSE4H to VCC4-):

$$V_{REF} = 1.2 \text{ V, } V_{ITP} = 400 \text{ mV}$$

$$R_L = R_U \times \frac{V_{ITP} - V_{CC\_TARGET}}{V_{REF} - V_{ITP}}$$

$$V_{CC\_ACTUAL} = V_{ITP} - \frac{R_L}{R_U} \times (V_{REF} - V_{ITP})$$

Example for – 5 V – 12% :

$$V_{CC\_target} = - 4.4 \text{ V, Choose } R_U = 49.9 \text{ k}\Omega$$

$$R_L = 49.9 \text{ k}\Omega \times \frac{0.4 \text{ V} - (- 4.4 \text{ V})}{1.2 \text{ V} - 0.4 \text{ V}} = 299.4 \text{ k}\Omega \text{ (Choose 301 k}\Omega)$$

$$V_{CC\_ACTUAL} = 0.4 \text{ V} - \frac{301 \text{ k}\Omega}{49.9 \text{ k}\Omega} \times (1.2 \text{ V} - 0.4 \text{ V}) = - 4.426 \text{ V}$$

(2)

### 4.3 RESET Outputs

The TPS3860xxEVM-736 RESET outputs can be used to reset power supplies or processors when the power supply voltage drops below the setpoint. They can also be used to sequence power supplies to avoid violating the maximum voltage ratings of devices. The TPS386000 has open-drain outputs and are pulled up by 10-k $\Omega$  resistors installed as R13–R16 by default on the TPS386000EVM-736. The TPS386040 has push-pull outputs, and R13–R16 are not installed on the TPS386040EVM-736.

#### 4.4 RESET Timing Delay

The time delay for each supervisor can be adjusted by the capacitor at the CT1–CT4 pins. The EVM has been configured with 0.1- $\mu\text{F}$  capacitors on each of these pins for a nominal delay of 413.7 ms. Figure 2 shows the operation of the RESET output with respect to the supervised voltage. The top trace shows VCC1 as it ramps up from 0 V to 3.3 V and the bottom trace shows the delay before RESET1 goes high. To change this delay, the following equations from the data sheet can be used to calculate a new timing capacitor:

$$C_{CT} \text{ (nF)} = [t_{\text{DELAY}} \text{ (ms)} - 0.5 \text{ (ms)}] \times 0.242$$

$$t_{\text{DELAY\_ACTUAL}} \text{ (ms)} = \frac{C_{CT} \text{ (nF)}}{0.242} + 0.5 \text{ (ms)}$$

Example for 200 ms :

$$t_{\text{DELAY\_TARGET}} = 200 \text{ ms}$$

$$C_{CT} \text{ (nF)} = [200 - 0.5] \times 0.242 = 48.279 \text{ nF (Choose } 0.047 \mu\text{F)}$$

$$t_{\text{DELAY\_ACTUAL}} \text{ (ms)} = \frac{47}{0.242} + 0.5 = 194.7 \text{ ms}$$

(3)

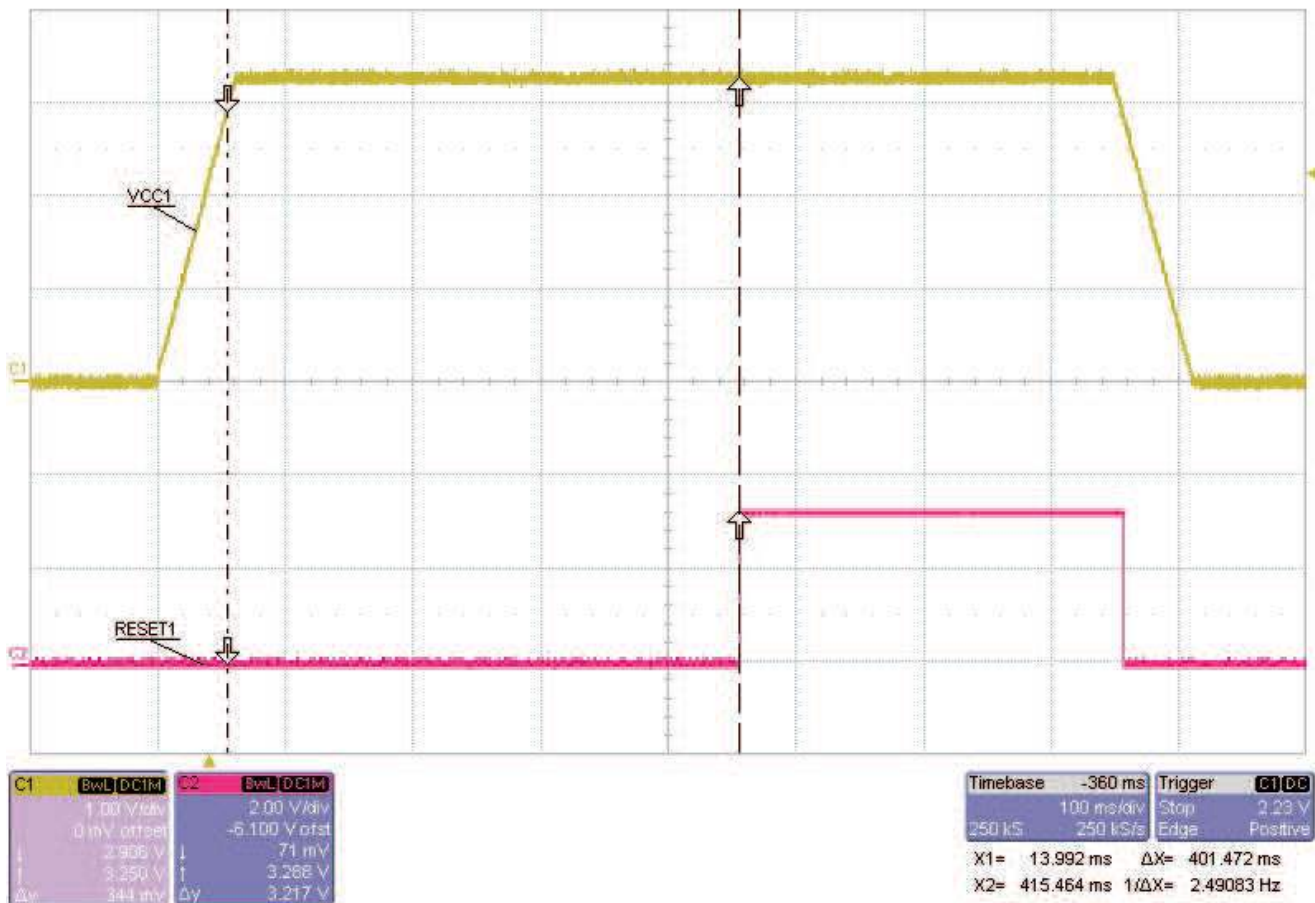


Figure 2. RESET1 Timing for VCC1 From 0 V to 3.3 V

### 4.5 Watchdog Timer Function

The TPS3860xx contains a watchdog timer (WDT) which can be evaluated using the TPS3860xxEVM-736. The watchdog timer times out approximately 600 ms after the last rising or falling edge seen at WDI (J6), and WDO (J12) is asserted. Once WDO has been asserted, RESET1 must be asserted in order to reset WDO. This is accomplished when manual reset (J13) is asserted, the SENSE1 voltage drops below the setpoint, or VCC is reset. Figure 3 shows the operation of the watchdog timer. WDO starts low, indicating a timeout condition, but goes high when RESET1 is asserted by using the MR input. The WDO pin goes low again 600 ms after the last edge seen at WDI.

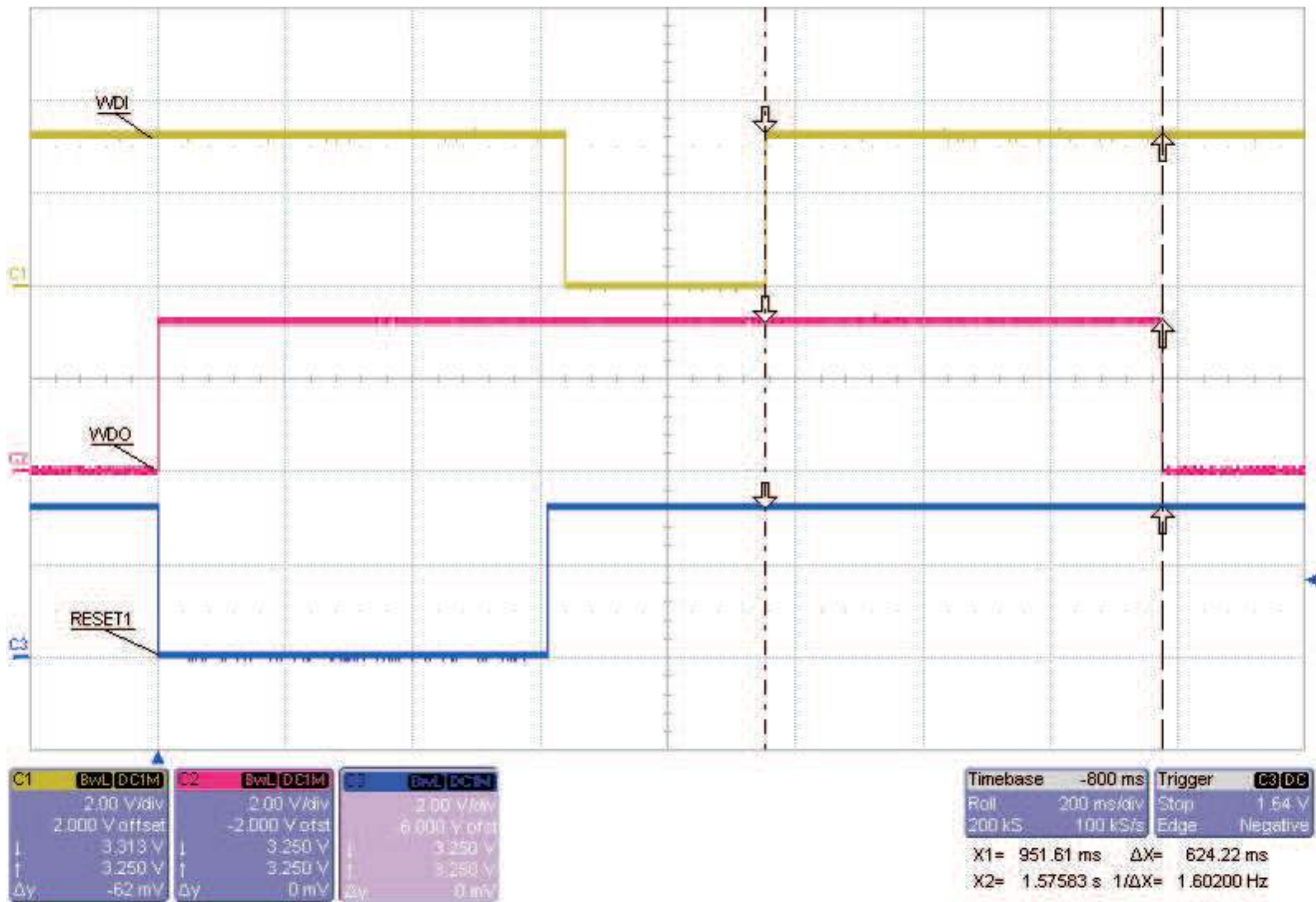
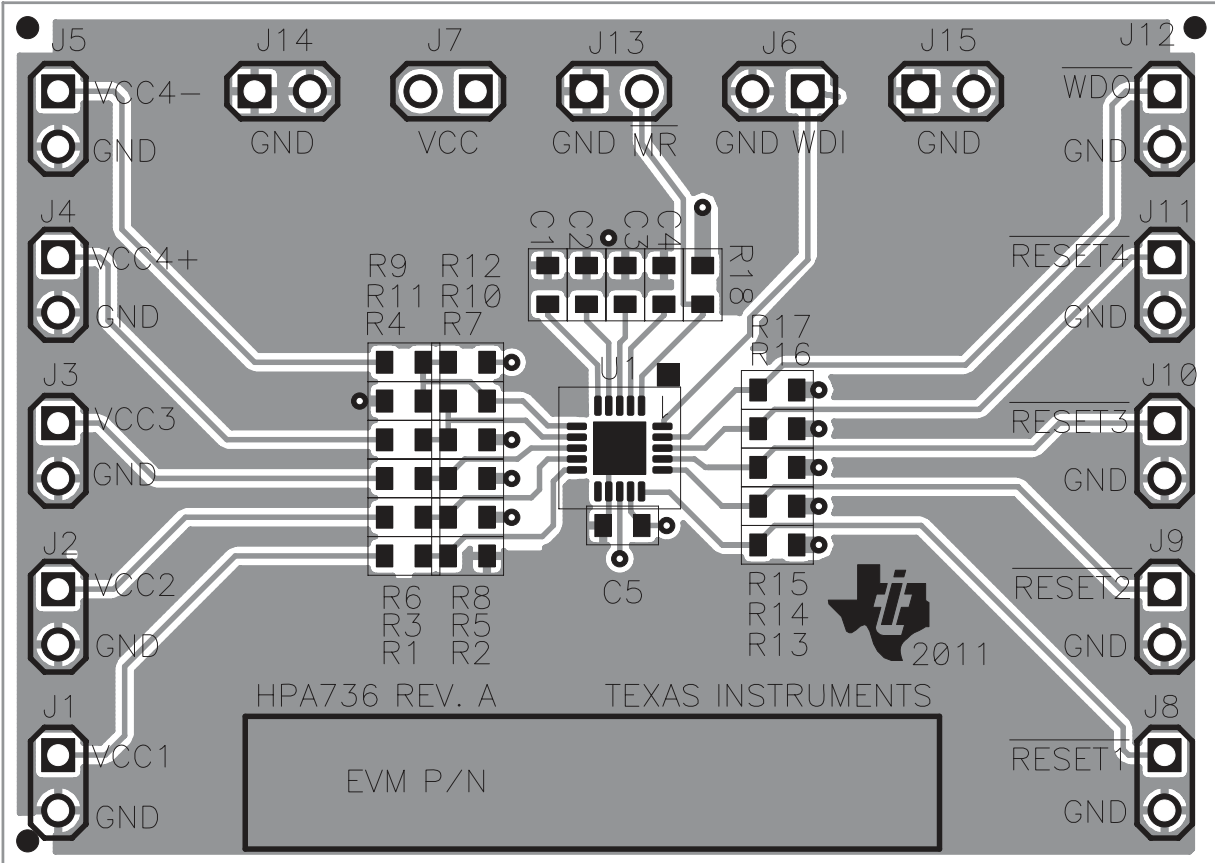


Figure 3. WDT Timing and Operation

## 5 EVM Assembly Drawings and Layout Guidelines

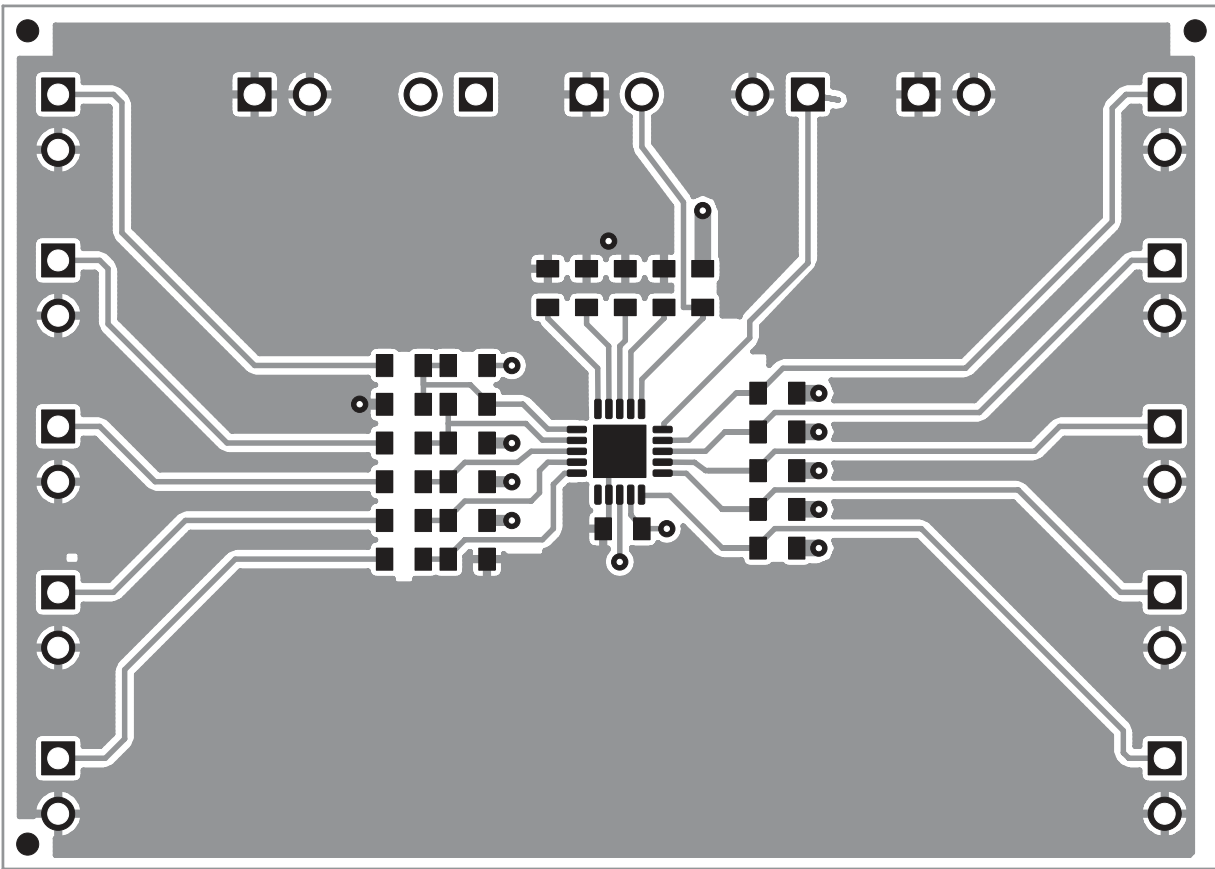
### 5.1 PCB Drawings

The following figures show component placement and layout.

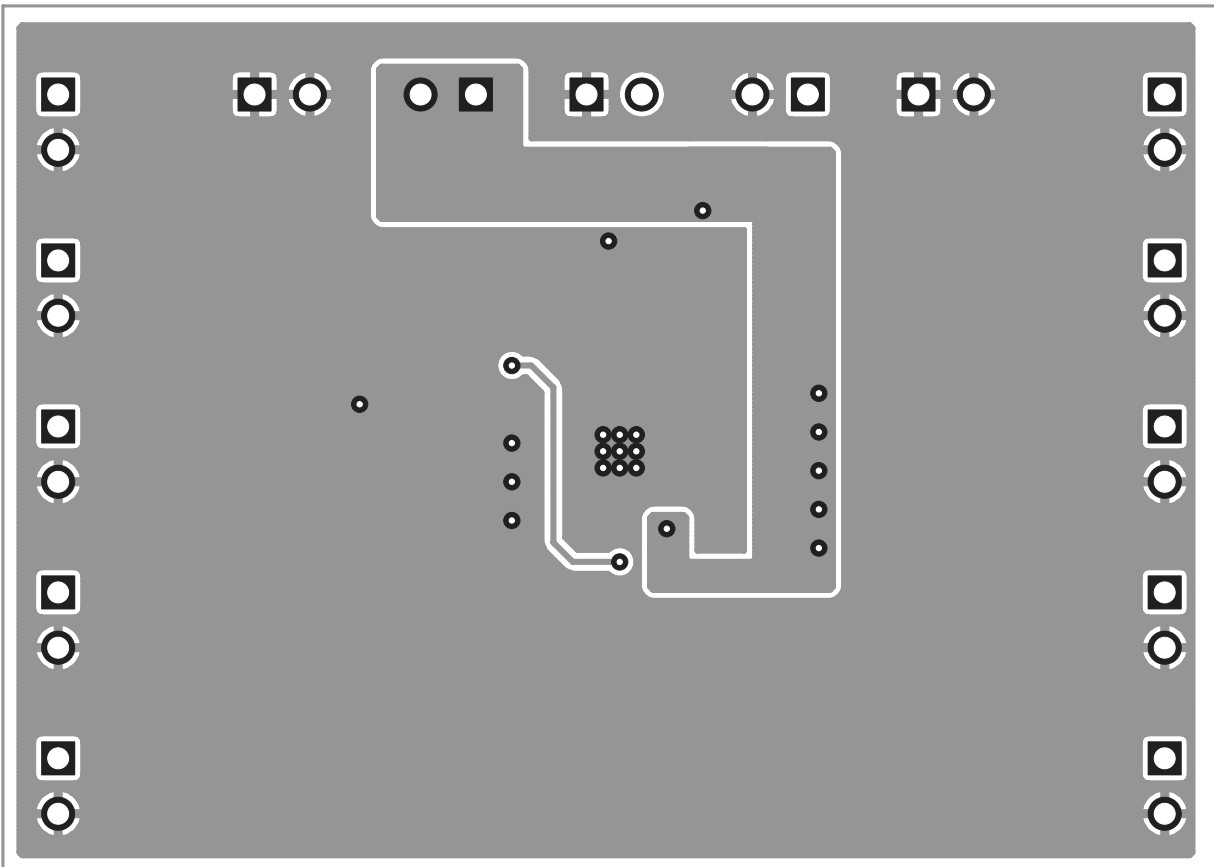


**Figure 4. Top-Side Placement/Routing**





**Figure 5. Top-Side Layout/Routing**



**Figure 6. Bottom-Side Layout/Routing**

## 5.2 Layouts Guidelines

### Thermal Pad

The thermal pad provides a thermal and mechanical interface between the device and the printed-circuit board (PCB). Connect the exposed thermal pad of the PCB to the device VSS pins and provide at least a 3 x 3 pattern of PCB vias to connect the thermal pad and GND pin to the circuit ground on other PCB layers.

### Supply Voltage Decoupling

Provide power supply pin bypass to the device as follows:

- 0.1- $\mu$ F, X5R ceramic at pin 15 (VCC)
- 1-nF, X7R ceramic at pins 6–10 (SENSE1, SENSE2, SENSE3, SENSE4L, and SENSE4H) although not required can provide noise filtering in noisy power supply systems.

## 6 Bill of Materials

**Table 2. TPS3860xxEVM-736 Bill of Materials**

EVM Count		RefDes	Value	Description	Size	Part Number	MFR
TPS386000	TPS386040						
5	5	C1, C2, C3, C4, C5	0.1 $\mu$ F	Capacitor, Ceramic, Low Inductance, 6.3V, X5R, 20%	0603	Std	Std
15	15	J1, J2, J3, J4, J5, J6, J7, J8, J9, J10, J11, J12, J13, J14, J15	PEC02SAAN	Header, Male 2-pin, 100mil spacing	0.100 in x 2	PEC02SAAN	Sullins
5	5	R1, R3, R4, R6, R18	100k	Resistor, Chip, 1/16W, 1%	0603	Std	Std
1	1	R10	7.15k	Resistor, Chip, 1/16W, 1%	0603	Std	Std
1	1	R11	48.7k	Resistor, Chip, 1/16W, 1%	0603	Std	Std
5	0	R13, R14, R15, R16, R17	10k	Resistor, Chip, 1/16W, 1%	0603	Std	Std
1	1	R2	16.2k	Resistor, Chip, 1/16W, 1%	0603	Std	Std
1	1	R5	20.5k	Resistor, Chip, 1/16W, 1%	0603	Std	Std
0	0	R7, R9, R12	DNI	Resistor, Chip, 1/16W, 1%	0603	Std	Std
1	1	R8	31.6k	Resistor, Chip, 1/16W, 1%	0603	Std	Std
1	0	U1	TPS386000RGP	IC, Quad Supply Voltage Supervisors	--	TPS386000RGP	TI
0	1	U1	TPS386040RGP	IC, Quad Supply Voltage Supervisors	--	TPS386040RGP	TI
1	1	--	--	Label	1.25 x 0.25 inch	THT-13-457-10	Brady
1	1	--	HPA736	2.200 x 1.560 x 0.062 inch 2 layer 2oz. PCB	2.200 x 1.560 inch	HPA736	Any

## Evaluation Board/Kit Important Notice

Texas Instruments (TI) provides the enclosed product(s) under the following conditions:

This evaluation board/kit is intended for use for **ENGINEERING DEVELOPMENT, DEMONSTRATION, OR EVALUATION PURPOSES ONLY** and is not considered by TI to be a finished end-product fit for general consumer use. Persons handling the product(s) must have electronics training and observe good engineering practice standards. As such, the goods being provided are not intended to be complete in terms of required design-, marketing-, and/or manufacturing-related protective considerations, including product safety and environmental measures typically found in end products that incorporate such semiconductor components or circuit boards. This evaluation board/kit does not fall within the scope of the European Union directives regarding electromagnetic compatibility, restricted substances (RoHS), recycling (WEEE), FCC, CE or UL, and therefore may not meet the technical requirements of these directives or other related directives.

Should this evaluation board/kit not meet the specifications indicated in the User's Guide, the board/kit may be returned within 30 days from the date of delivery for a full refund. **THE FOREGOING WARRANTY IS THE EXCLUSIVE WARRANTY MADE BY SELLER TO BUYER AND IS IN LIEU OF ALL OTHER WARRANTIES, EXPRESSED, IMPLIED, OR STATUTORY, INCLUDING ANY WARRANTY OF MERCHANTABILITY OR FITNESS FOR ANY PARTICULAR PURPOSE.**

The user assumes all responsibility and liability for proper and safe handling of the goods. Further, the user indemnifies TI from all claims arising from the handling or use of the goods. Due to the open construction of the product, it is the user's responsibility to take any and all appropriate precautions with regard to electrostatic discharge.

**EXCEPT TO THE EXTENT OF THE INDEMNITY SET FORTH ABOVE, NEITHER PARTY SHALL BE LIABLE TO THE OTHER FOR ANY INDIRECT, SPECIAL, INCIDENTAL, OR CONSEQUENTIAL DAMAGES.**

TI currently deals with a variety of customers for products, and therefore our arrangement with the user **is not exclusive.**

TI assumes **no liability for applications assistance, customer product design, software performance, or infringement of patents or services described herein.**

Please read the User's Guide and, specifically, the Warnings and Restrictions notice in the User's Guide prior to handling the product. This notice contains important safety information about temperatures and voltages. For additional information on TI's environmental and/or safety programs, please contact the TI application engineer or visit [www.ti.com/esh](http://www.ti.com/esh).

No license is granted under any patent right or other intellectual property right of TI covering or relating to any machine, process, or combination in which such TI products or services might be or are used.

## FCC Warning

This evaluation board/kit is intended for use for **ENGINEERING DEVELOPMENT, DEMONSTRATION, OR EVALUATION PURPOSES ONLY** and is not considered by TI to be a finished end-product fit for general consumer use. It generates, uses, and can radiate radio frequency energy and has not been tested for compliance with the limits of computing devices pursuant to part 15 of FCC rules, which are designed to provide reasonable protection against radio frequency interference. Operation of this equipment in other environments may cause interference with radio communications, in which case the user at his own expense will be required to take whatever measures may be required to correct this interference.

## EVM Warnings and Restrictions

It is important to operate this EVM within the input voltage range of 0 V to 7 V and the output voltage range of 0 V to 7 V .

Exceeding the specified input range may cause unexpected operation and/or irreversible damage to the EVM. If there are questions concerning the input range, please contact a TI field representative prior to connecting the input power.

Applying loads outside of the specified output range may result in unintended operation and/or possible permanent damage to the EVM. Please consult the EVM User's Guide prior to connecting any load to the EVM output. If there is uncertainty as to the load specification, please contact a TI field representative.

During normal operation, some circuit components may have case temperatures greater than 85° C. The EVM is designed to operate properly with certain components above 85° C as long as the input and output ranges are maintained. These components include but are not limited to linear regulators, switching transistors, pass transistors, and current sense resistors. These types of devices can be identified using the EVM schematic located in the EVM User's Guide. When placing measurement probes near these devices during operation, please be aware that these devices may be very warm to the touch.

Mailing Address: Texas Instruments, Post Office Box 655303, Dallas, Texas 75265  
Copyright © 2011, Texas Instruments Incorporated

## IMPORTANT NOTICE

Texas Instruments Incorporated and its subsidiaries (TI) reserve the right to make corrections, modifications, enhancements, improvements, and other changes to its products and services at any time and to discontinue any product or service without notice. Customers should obtain the latest relevant information before placing orders and should verify that such information is current and complete. All products are sold subject to TI's terms and conditions of sale supplied at the time of order acknowledgment.

TI warrants performance of its hardware products to the specifications applicable at the time of sale in accordance with TI's standard warranty. Testing and other quality control techniques are used to the extent TI deems necessary to support this warranty. Except where mandated by government requirements, testing of all parameters of each product is not necessarily performed.

TI assumes no liability for applications assistance or customer product design. Customers are responsible for their products and applications using TI components. To minimize the risks associated with customer products and applications, customers should provide adequate design and operating safeguards.

TI does not warrant or represent that any license, either express or implied, is granted under any TI patent right, copyright, mask work right, or other TI intellectual property right relating to any combination, machine, or process in which TI products or services are used. Information published by TI regarding third-party products or services does not constitute a license from TI to use such products or services or a warranty or endorsement thereof. Use of such information may require a license from a third party under the patents or other intellectual property of the third party, or a license from TI under the patents or other intellectual property of TI.

Reproduction of TI information in TI data books or data sheets is permissible only if reproduction is without alteration and is accompanied by all associated warranties, conditions, limitations, and notices. Reproduction of this information with alteration is an unfair and deceptive business practice. TI is not responsible or liable for such altered documentation. Information of third parties may be subject to additional restrictions.

Resale of TI products or services with statements different from or beyond the parameters stated by TI for that product or service voids all express and any implied warranties for the associated TI product or service and is an unfair and deceptive business practice. TI is not responsible or liable for any such statements.

TI products are not authorized for use in safety-critical applications (such as life support) where a failure of the TI product would reasonably be expected to cause severe personal injury or death, unless officers of the parties have executed an agreement specifically governing such use. Buyers represent that they have all necessary expertise in the safety and regulatory ramifications of their applications, and acknowledge and agree that they are solely responsible for all legal, regulatory and safety-related requirements concerning their products and any use of TI products in such safety-critical applications, notwithstanding any applications-related information or support that may be provided by TI. Further, Buyers must fully indemnify TI and its representatives against any damages arising out of the use of TI products in such safety-critical applications.

TI products are neither designed nor intended for use in military/aerospace applications or environments unless the TI products are specifically designated by TI as military-grade or "enhanced plastic." Only products designated by TI as military-grade meet military specifications. Buyers acknowledge and agree that any such use of TI products which TI has not designated as military-grade is solely at the Buyer's risk, and that they are solely responsible for compliance with all legal and regulatory requirements in connection with such use.

TI products are neither designed nor intended for use in automotive applications or environments unless the specific TI products are designated by TI as compliant with ISO/TS 16949 requirements. Buyers acknowledge and agree that, if they use any non-designated products in automotive applications, TI will not be responsible for any failure to meet such requirements.

Following are URLs where you can obtain information on other Texas Instruments products and application solutions:

### Products

Audio	<a href="http://www.ti.com/audio">www.ti.com/audio</a>
Amplifiers	<a href="http://amplifier.ti.com">amplifier.ti.com</a>
Data Converters	<a href="http://dataconverter.ti.com">dataconverter.ti.com</a>
DLP® Products	<a href="http://www.dlp.com">www.dlp.com</a>
DSP	<a href="http://dsp.ti.com">dsp.ti.com</a>
Clocks and Timers	<a href="http://www.ti.com/clocks">www.ti.com/clocks</a>
Interface	<a href="http://interface.ti.com">interface.ti.com</a>
Logic	<a href="http://logic.ti.com">logic.ti.com</a>
Power Mgmt	<a href="http://power.ti.com">power.ti.com</a>
Microcontrollers	<a href="http://microcontroller.ti.com">microcontroller.ti.com</a>
RFID	<a href="http://www.ti-rfid.com">www.ti-rfid.com</a>
RF/IF and ZigBee® Solutions	<a href="http://www.ti.com/lprf">www.ti.com/lprf</a>

### Applications

Communications and Telecom	<a href="http://www.ti.com/communications">www.ti.com/communications</a>
Computers and Peripherals	<a href="http://www.ti.com/computers">www.ti.com/computers</a>
Consumer Electronics	<a href="http://www.ti.com/consumer-apps">www.ti.com/consumer-apps</a>
Energy and Lighting	<a href="http://www.ti.com/energy">www.ti.com/energy</a>
Industrial	<a href="http://www.ti.com/industrial">www.ti.com/industrial</a>
Medical	<a href="http://www.ti.com/medical">www.ti.com/medical</a>
Security	<a href="http://www.ti.com/security">www.ti.com/security</a>
Space, Avionics and Defense	<a href="http://www.ti.com/space-avionics-defense">www.ti.com/space-avionics-defense</a>
Transportation and Automotive	<a href="http://www.ti.com/automotive">www.ti.com/automotive</a>
Video and Imaging	<a href="http://www.ti.com/video">www.ti.com/video</a>
Wireless	<a href="http://www.ti.com/wireless-apps">www.ti.com/wireless-apps</a>

TI E2E Community Home Page

[e2e.ti.com](http://e2e.ti.com)

Mailing Address: Texas Instruments, Post Office Box 655303, Dallas, Texas 75265  
Copyright © 2011, Texas Instruments Incorporated