

5

4

3

2

1

受控 CONTROLLED DOCUMENT

编号 P/N	CPN16-CUST	版本 Rev	01	日期 Rel'd Date	Apr29,09
-----------	------------	-----------	----	------------------	----------

DRAWING NO.
CPN16-CUST

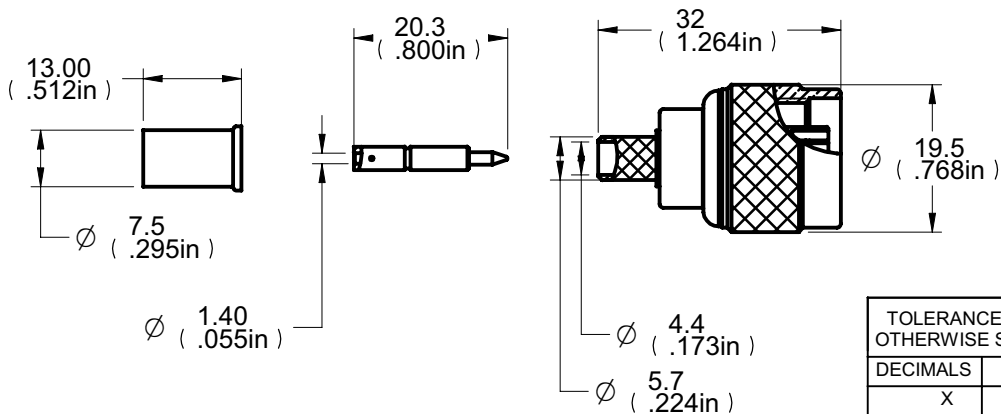
REVISIONS

01	OFFICIAL RELEASE			
	03-20-09	T W	B Y	T <i>Thomas Chow</i>



Description: N-3PC. Crimp Plug RG450
 Part No: CPN-16
 Application: For Cable RG450
 Crimp Tool: 24-312P
 Impedance: 50 Ohms
 Frequency Range: 0-11 GHz
 Material: Body Brass Nickel plated
 Contact Brass Gold plated
 Insulotor Teflon
 Nut Brass Nickel plated
 Sleeve Brass Nickel plated

RoHS Compliance: Yes
 Technical Detail: Refer to Emerson Document P/N 25-0002



DIM OUTLINE

CUSTOMER COPY

TOLERANCE UNLESS OTHERWISE SPECIFIED		DRAWN BY TERRY.W	DATE 03-20-09
DECIMALS	mm	CHECKED BY BETTY.YU	DATE 03-20-09
X	± 0.5	APPROVED BY THOMAS	DATE 03-20-09
X.X	± 0.3	U/M	mm
X.XX	± 0.1		
ANGLES	± 0.5°		

EMERSON Network Power **Connectivity Solutions**

TITLE: N-3PC. CRIMP PLUG-RG450

THIS DRAWING WAS PRODUCED BY COMPUTER, DO NOT SCALE DRAWING OR UPDATE MANUALLY.			SHEET 1 OF 1	DRAWING NO. CPN16-CUST	SIZE A
---	--	--	-----------------	---------------------------	-----------

5

4

3

2

1