

## Adjustable Pressure & Vacuum Switches

These switches allow for simple electrical on/off control over pressures and vacuums. As pressure goes up, one contact opens as the other closes. This provides a perfect solution for monitoring, controlling, and notifying. All are field adjustable but can be preset at the factory if preferred. Dual switches are also available, factory set to operate two separate microswitches at different pressure or vacuum settings. These switches come in multiple body styles, providing the necessary versatility for air hose connections.

### Presair adjustable switches deliver critical benefits:

**SAFE:** Presair switches deliver complete electrical isolation with zero voltage at the actuator to shock the user or spark an explosion.

**ECONOMICAL:** Presair's switching system costs are comparable or lower than digital controls meeting the needs of original equipment manufacturers.

**ACCURATE:** All switches are 100% tested to meet 100,000+ cycle life.

### General Specification:

**RATING:** 1 HP @ 125 VAC; 2 HP @ 250 VAC  
21 AMPS @ 250 VAC  
Other ratings available up to 25 Amps.  
Gold contacts available.

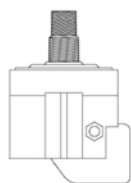
**APPROVAL:** UL Recognized, CUL Recognized. File #E80254

**MATERIAL:** Acetal Body/Acetal Mechanism  
Nitrile Rubber Diaphragm  
Other material available, give us a call for more information.

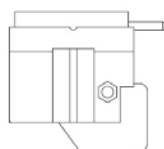
**SETTING:** Field adjustable or Factory Set  
Pressure switch is adjustable with hex head set screw at the center of the microswitch. Vacuum switch is adjustable with Phillips head screw on the microswitch carrier.

**OPERATING TEMPERATURE:** -22 to 150 degrees Fahrenheit

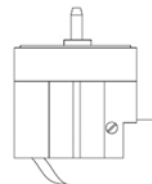
**BODY STYLE CONNECTIONS:** 9/16-18 Thread with Center Air Spout



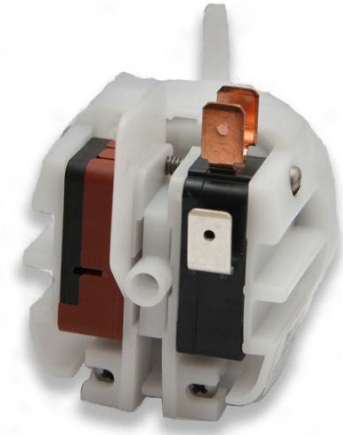
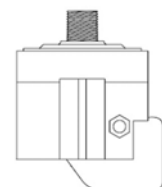
Radial Mount with Side Air Spout



Radial Mount with Center Air Spout



1/8" NPT with Center Air Spout



PR11120A- Radial Mount with Side Spout  
1.75"x1.5"x2"  
SPDT with Dummy Switch



PM21120A - 9/16-18 Thread with Center Spout  
2.5"x1.5"x2"  
DPDT = 2 SPDT Switches

PRESAIR SWITCHES ARE DESIGNED & MANUFACTURED IN ALTOONA, WI, U.S.A.

## Adjustable Pressure & Vacuum Switches

Select from each column to configure your part number:

SWITCH TYPE	P Pressure			V Vacuum		
MOUNTING OPTIONS	M 1/8" NPT-3/16" Thread, Center Air Spout (Fig. A)	R Radial Mount, Side Air Spout (Fig. B)	T 3/16" Thread Center Air Spout (Fig. C)	C Center Air Spout	S 1/8" NPT Only	Q 1/4" NPT Only
CONTACT FIGURATION	1 SPDT		2 DPDT		4 SPST (Normally Open)	
ELECTRICAL RATINGS	03 5 amps @ 240V	05 16 amps @ 240V	11 21 amps, 1 hp @ 120V Standard	25 25 amps @ 240V		
PRESSURE RANGE (P Type)	03 2.5-7 inches of water	06 5-35 inches of water	20 1-5 Psi	50 9-18 Psi	80 35-65 Psi	
	05 6-18 inches of water	10 20-50 inches of water	30 2.5-6 Psi	60 15-28 Psi	90 50-100 Psi	
			40 4-11 Psi	70 25-40 Psi	95 75-125 Psi	
VACUUM RANGE (V Type)	03 2.5-7 inches of water	10 13-25 inches of water	20 35-80 inches of water	20 135-300 inches of water		
	06 6-16 inches of water	15 20-40 inches of water	30 75-150 inches of water			
SPECIAL Multiple options available.	A Nitrile Diaphragm (Standard)	C Air Bleed	E EPDM Diaphragm	S Silicone Diaphragm	Z Stepped Nipple for Microtubing	

P

M

1

11

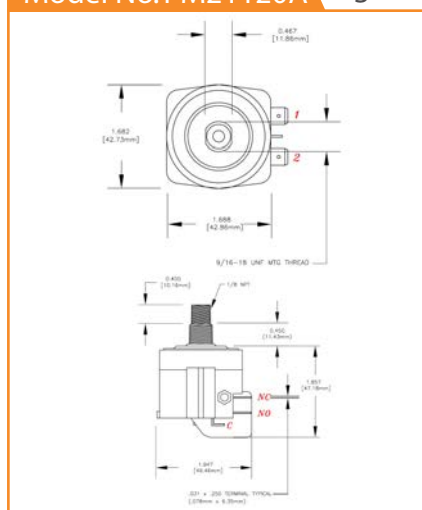
20

A

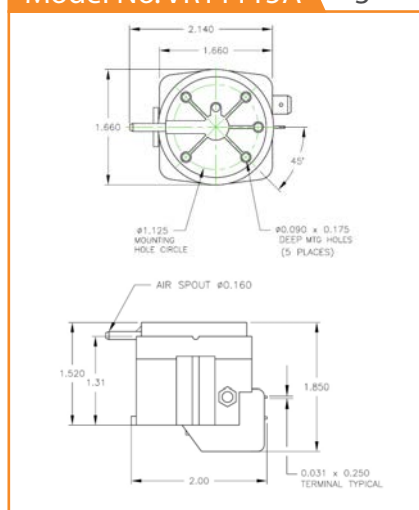
\*Many custom options available, give us a call for more information.

PM1120A

Model No. PM21120A Fig. A



Model No. VR11115A Fig. B



Model No. PT11130A Fig. C

