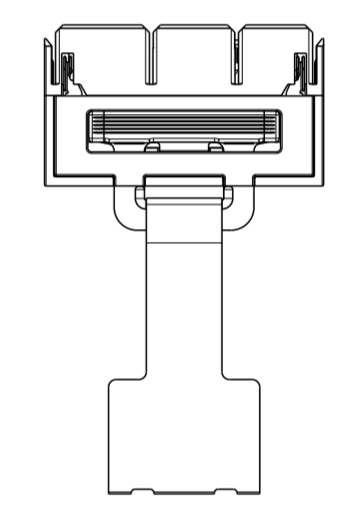
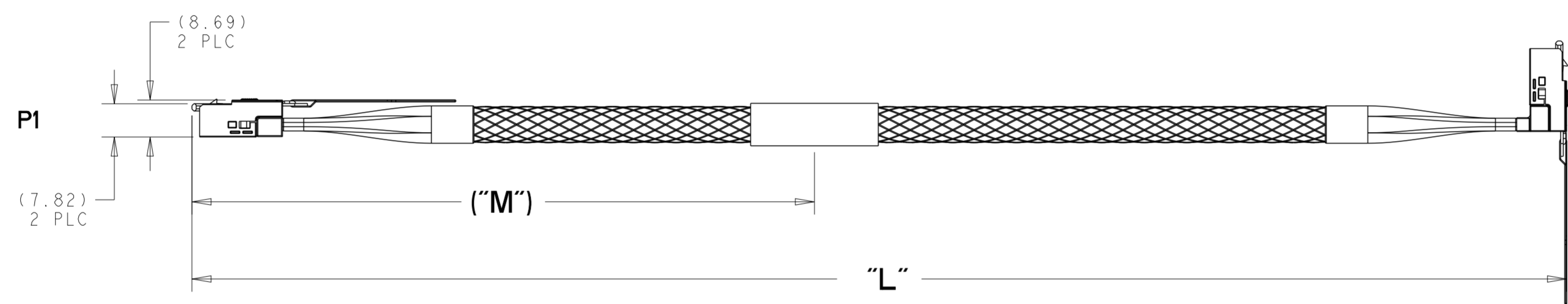
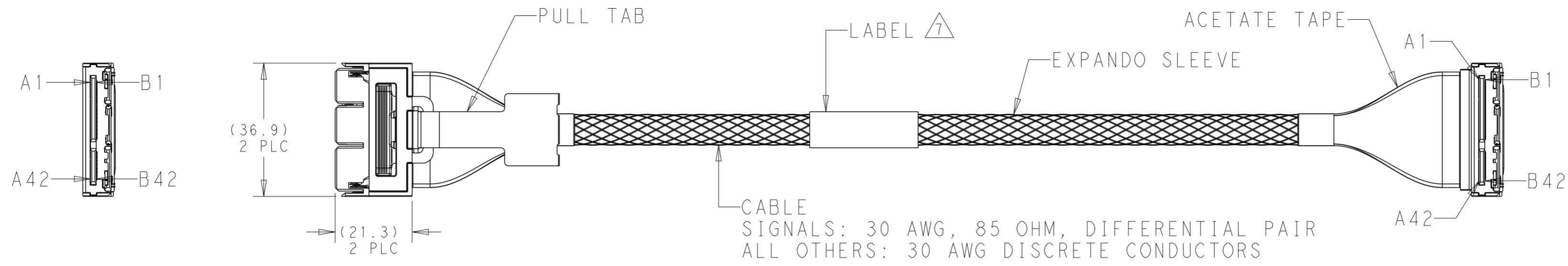


THIS DRAWING IS UNPUBLISHED. RELEASED FOR PUBLICATION 20  
 © COPYRIGHT 20 BY - ALL RIGHTS RESERVED.

REVISIONS				
P	LTR	DESCRIPTION	DATE	APVD
B		ECO-20-013466	24SEP2020	NN DZ



1. ALL MATERIALS, COMPONENTS AND PROCESS SHALL COMPLY WITH TEC-138-702. (CONTAINS NO BANNED OR RESTRICTED SUBSTANCES).
2. NO REACH SvHC SHALL BE CONTAINED ABOVE THE THRESHOLD AS DEFINED IN REACH SvHC COMPLIANCE DEFINITION IN ANNEX A OF TEC-138-702.
3. ASSEMBLY TESTED FOR CONTINUITY, OPENS, SHORTS, AND SIGNAL INTEGRITY.
4. CABLE BEND RADIUS 5X BUNDLE CABLE OD.
5. SEE SHEET 2 AND 3 FOR WIRING SCHEMATIC.
6. CONNECTORS ARE GEN-Z COMPLIANT.

7 LABEL INFORMATION SHOWN BELOW:



8. CABLE CONNECTOR MATES WITH TE SLIVER RECEPTACLE P/N 2331813-X, OR 2331814-X.

500	1000 +10/-0	2361344-2
250	500 +10/-0	2361344-1
("M")	"L"	TE P/N

THIS DRAWING IS A CONTROLLED DOCUMENT.		DWN B. MATTHEWS 27AUG2019	TE Connectivity	
		CHK R. HENRY 27AUG2019		
DIMENSIONS: mm 		TOLERANCES UNLESS OTHERWISE SPECIFIED: 0 PLC ± 1 PLC ±0.5 2 PLC ±0.13 3 PLC ±0.013 4 PLC ±0.0001 ANGLES ± FINISH		NAME: SLIVER 2.0 2C 30AWG STRAIGHT TO RIGHT ANGLE SIZE: A2 CAGE CODE: 00779 DRAWING NO: C-2361344 RESTRICTED TO:
MATERIAL: -		APVD: -		SCALE: 1:1
CUSTOMER DRAWING		WEIGHT: -		SHEET 1 OF 3
		APVD: -		REV B

THIS DRAWING IS UNPUBLISHED. RELEASED FOR PUBLICATION 20  
 © COPYRIGHT 20 BY - ALL RIGHTS RESERVED.

REVISIONS					
P	LTR	DESCRIPTION	DATE	DWN	APVD
-	-	SEE SHEET 1	-	-	-

P1	WIRE TYPE	P2		
		DESIGNATION	PAIR NO.	
PIN NO.	PAIR NO.	DESIGNATION	PAIR NO.	PIN NO.
A1		GROUND		A1
A2		GROUND		A2
A3		GROUND		A3
A4		GROUND		A4
A5		GROUND		A5
A6		GROUND		A6
A7		SIDE BAND		A7
A8		SIDE BAND		A8
A9		SIDE BAND		A9
A10		SIDE BAND		A10
A11		SIDE BAND		A11
A12		SIDE BAND		A12
A13		GND		A13
A14		CLK		A14
A15		CLK		A15
A16		GND		A16
A17	0	PCIeTX	0	A17
A18	0	PCIe TX	0	A18
A19		GND		A19
A20	1	PCIeTX	1	A20
A21	1	PCIe TX	1	A21
A22		GND		A22
A23	2	PCIeTX	2	A23
A24	2	PCIe TX	2	A24
A25		GND		A25
A26	3	PCIeTX	3	A26
A27	3	PCIe TX	3	A27
A28		GND		A28
A29		KEY		A29
A30	4	PCIeTX	4	A30
A31	4	PCIe TX	4	A31
A32		GND		A32
A33	5	PCIeTX	5	A33
A34	5	PCIe TX	5	A34
A35		GND		A35
A36	6	PCIeTX	6	A36
A37	6	PCIe TX	6	A37
A38		GND		A38
A39	7	PCIeTX	7	A39
A40	7	PCIe TX	7	A40
A41		GND		A41
A42		SIDE BAND		A42

THIS DRAWING IS A CONTROLLED DOCUMENT.

DWN: B. MATTHEWS 27AUG2019  
 CHK: R. HENRY 27AUG2019

APVD: -

PRODUCT SPEC: -  
 APPLICATION SPEC: -

NAME: SLIVER 2.0 2C 30AWG STRAIGHT TO RIGHT ANGLE

SIZE: A2 CAGE CODE: 00779 DRAWING NO: C-2361344 RESTRICTED TO: -

MATERIAL: - FINISH: - WEIGHT: -


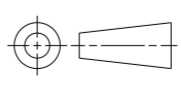
CUSTOMER DRAWING SCALE: 1:1 SHEET: 2 OF 3 REV: B

STE TE Connectivity

THIS DRAWING IS UNPUBLISHED. RELEASED FOR PUBLICATION 20  
 © COPYRIGHT 20 BY - ALL RIGHTS RESERVED.

REVISIONS					
P	LTR	DESCRIPTION	DATE	DWN	APVD
-	-	SEE SHEET 1	-	-	-

P1	PIN NO.	PAIR NO.	DESIGNATION	WIRE TYPE	P2		
					DESIGNATION	PAIR NO.	PIN NO.
	B1		12V POWER	DISCRETE	12V POWER		B1
	B2		12V POWER	DISCRETE	12V POWER		B2
	B3		12V POWER	DISCRETE	12V POWER		B3
	B4		12V POWER	DISCRETE	12V POWER		B4
	B5		12V POWER	DISCRETE	12V POWER		B5
	B6		12V POWER	DISCRETE	12V POWER		B6
	B7		SIDE BAND	DISCRETE	SIDE BAND		B7
	B8		SIDE BAND	DISCRETE	SIDE BAND		B8
	B9		SIDE BAND	DISCRETE	SIDE BAND		B9
	B10		SIDE BAND	DISCRETE	SIDE BAND		B10
	B11		3.3 AUX POWER	DISCRETE	3.3 AUX POWER		B11
	B12		SIDE BAND	DISCRETE	SIDE BAND		B12
	B13		GND		GND		B13
	B14		CLK	DIFF PAIR	CLK		B14
	B15		CLK	DIFF PAIR	CLK		B15
	B16		GND		GND		B16
	B17	0	PCIe RX	DIFF PAIR	PCIe RX	0	B17
	B18	0	PCIe RX	DIFF PAIR	PCIe RX	0	B18
	B19		GND		GND		B19
	B20	1	PCIe RX	DIFF PAIR	PCIe RX	1	B20
	B21	1	PCIe RX	DIFF PAIR	PCIe RX	1	B21
	B22		GND		GND		B22
	B23	2	PCIe RX	DIFF PAIR	PCIe RX	2	B23
	B24	2	PCIe RX	DIFF PAIR	PCIe RX	2	B24
	B25		GND		GND		B25
	B26	3	PCIe RX	DIFF PAIR	PCIe RX	3	B26
	B27	3	PCIe RX	DIFF PAIR	PCIe RX	3	B27
	B28		GND		GND		B28
			KEY		KEY		
	B29		GND		GND		B29
	B30	4	PCIe RX	DIFF PAIR	PCIe RX	4	B30
	B31	4	PCIe RX	DIFF PAIR	PCIe RX	4	B31
	B32		GND		GND		B32
	B33	5	PCIe RX	DIFF PAIR	PCIe RX	5	B33
	B34	5	PCIe RX	DIFF PAIR	PCIe RX	5	B34
	B35		GND		GND		B35
	B36	6	PCIe RX	DIFF PAIR	PCIe RX	6	B36
	B37	6	PCIe RX	DIFF PAIR	PCIe RX	6	B37
	B38		GND		GND		B38
	B39	7	PCIe RX	DIFF PAIR	PCIe RX	7	B39
	B40	7	PCIe RX	DIFF PAIR	PCIe RX	7	B40
	B41		GND		GND		B41
	B42		SIDE BAND	DISCRETE	SIDE BAND		B42

THIS DRAWING IS A CONTROLLED DOCUMENT.		DWN B. MATTHEWS 27AUG2019	 TE Connectivity	
DIMENSIONS: mm		CHK R. HENRY 27AUG2019		
		TOLERANCES UNLESS OTHERWISE SPECIFIED: 0 PLC ±- 1 PLC ±0.5 2 PLC ±0.13 3 PLC ±0.013 4 PLC ±0.001 ANGLES ±-		NAME SLIVER 2.0 2C 30AWG STRAIGHT TO RIGHT ANGLE
MATERIAL		APVD	PRODUCT SPEC	RESTRICTED TO
-		-	APPLICATION SPEC	-
-		WEIGHT	SIZE	CAGE CODE
-		-	A200779	DRAWING NO
-		CUSTOMER DRAWING	C-2361344	SCALE
-		SCALE 1:1	SHEET 3 OF 3	REV B