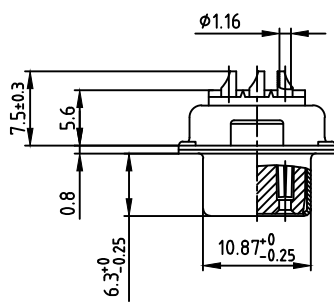
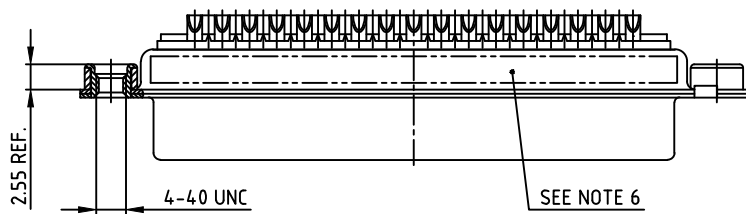
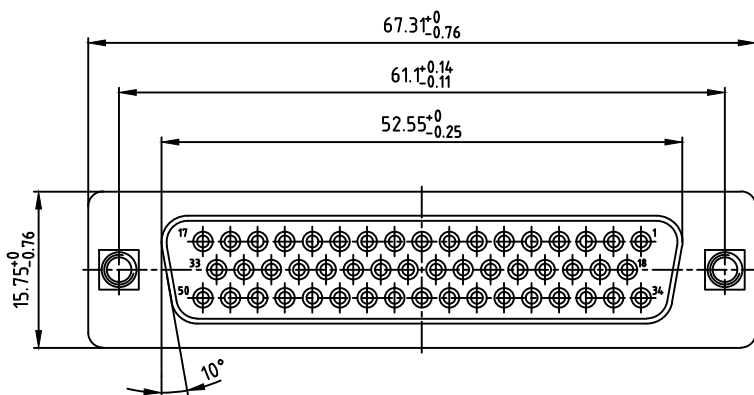


used for: D-SUB



- NOTES:
- METALSHELLS: STEEL; min. 320µin TIN
  - INSULATORS: PBT GF UL 94 V-0, BLACK
  - CONTACTS: COPPER ALLOY  
PLATING: GOLD FLASH over NICKEL  
SOLDER CUP ACCEPTS CABLE AWG 20
  - THREADED INSERT: COPPER ALLOY; min. 200µin TIN over 80µin NICKEL
  - MAXIMUM TORQUE VALUE FOR THREAD: 6in LBS
  - CONNECTOR IS PART MARKED: 164A10259X CONEC ABC

Directive 2002/95/EC RoHS compliant

APPROVAL # FREIGABE # DEBLOCAGE # AUTORIZACION # APPROVAL	
CUSTOMER APPROVAL DATE:	
NAME:	TITLE:
COMPANY NAME:	
APPROVAL # FREIGABE # DEBLOCAGE # AUTORIZACION # APPROVAL	

THIS DRAWING MAY NOT BE COPIED OR REPRODUCED IN ANY WAY, AND MAY NOT BE PASSED ON TO A THIRD PARTY WITHOUT WRITTEN PERMISSION. OWNERSHIP AND COPYRIGHT OF CONEC GmbH DO NOT ALTER CAD DRAWING BY HAND

rev.	description	date	name
a	Origin		

tolerance		scale: 2:1
dim. in mm		material: SEE NOTES
2006	date	name
drawn	08.02.	Lehmenkühler
appd.	08.02.	Mickenbecker
norm	DIN 41652	
d-old		
dwg no: AutoCAD 2004		DIN-A
16K1A1741		3
part no: 164A10259X		sh:1/1

