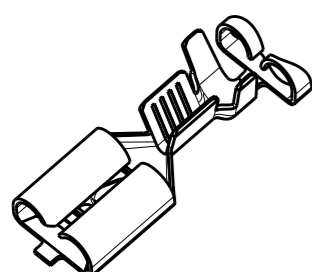
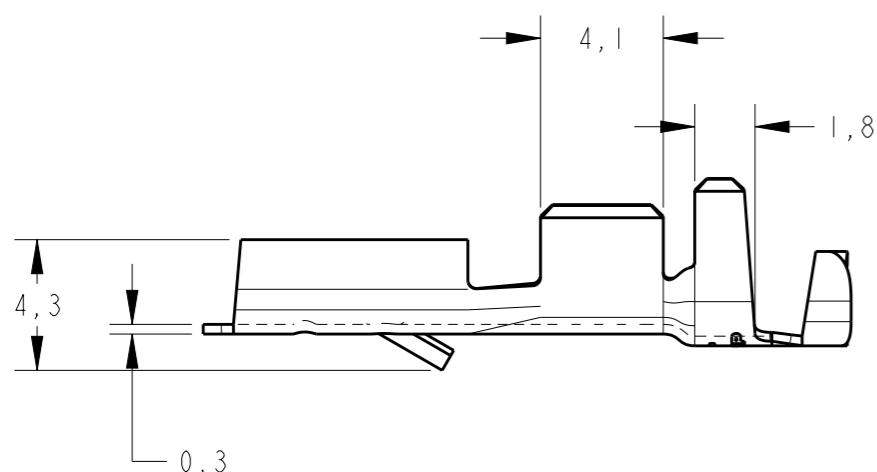
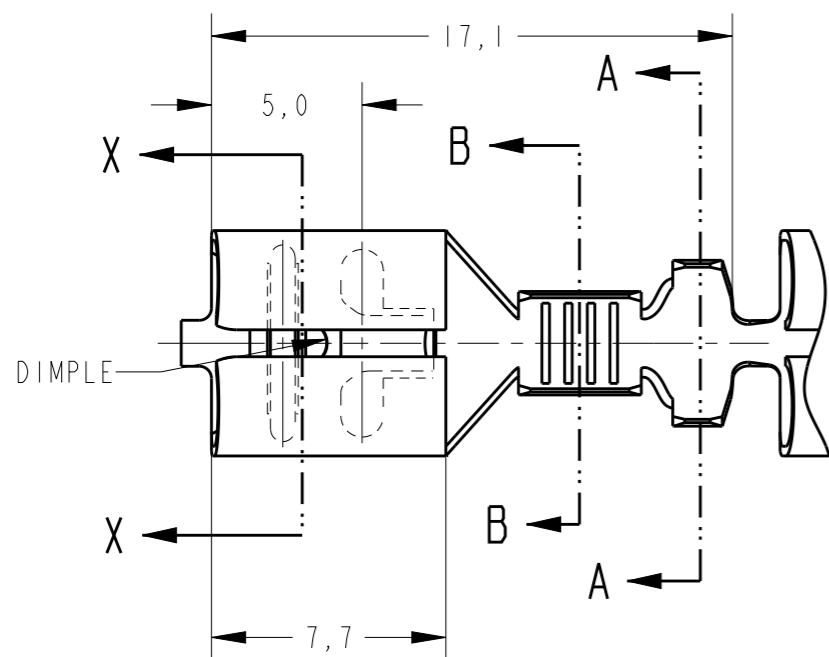
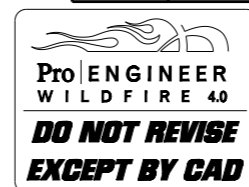


LOC
AP

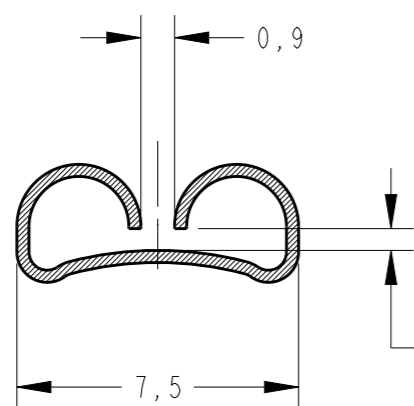
DIST
-

REVISIONS

P	LTR	DESCRIPTION	DATE	DWN	APVD
	G2	REVISED BY ECO 16-003725	27JUN2016	HC	WLS

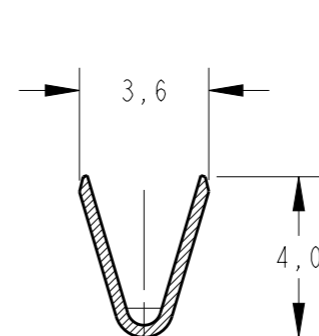


PERSPECTIVE VIEW
SCALE 2:1

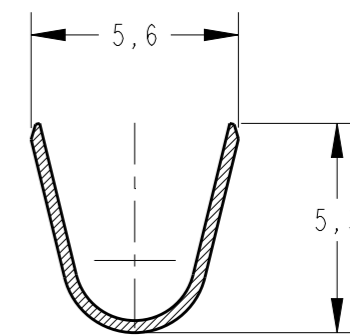


SECTION X-X
SCALE 5:1

PARA LINGUETA
DE 0,8mm ESPESSURA
FOR 0,8mm TAB



SECTION B-B
SCALE 5:1



SECTION A-A
SCALE 5:1

⚠ - OBSOLETE PARTS; OBSOLETE CIS STREAMLINING PER D.RENAUD/D.SINISI

FINISH	MATERIAL	PART NUMBER
PLATEADO/SILVER PLATED	BRONZE FOSF./PHOSP BRONZE	626095 -6
PLATEADO/SILVER PLATED	LATÃO / BRASS	626095 -5
ESTANHADO / TIN PLATED	BRONZE FOSF./PHOSP BRONZE	626095 -4
—	BRONZE FOSF./PHOSP BRONZE	626095 -3
ESTANHADO / TIN PLATED	LATÃO / BRASS	626095 -2
—	LATÃO / BRASS	626095 -1

INS. RANGE	WIRE RANGE
∅ 3,0-4,3mm	1,0-2,5mm ²

THIS DRAWING IS A CONTROLLED DOCUMENT.

DWN NCLAPRESA 26AUG2013
CHK JRGOLDSCHMIDT 26AUG2013
APVD DAOLIVEIRA 26AUG2013

TE Connectivity

NAME .250 SERIES FAST-IN-ON RECEPTACLE

PRODUCT SPEC -
APPLICATION SPEC -
WEIGHT -

SIZE A3 CAGE CODE 00779 DRAWING NO C-626095 RESTRICTED TO -

MATERIAL SEE TABLE FINISH SEE TABLE

CUSTOMER DRAWING SCALE - SHEET 1 OF 1 REV G2