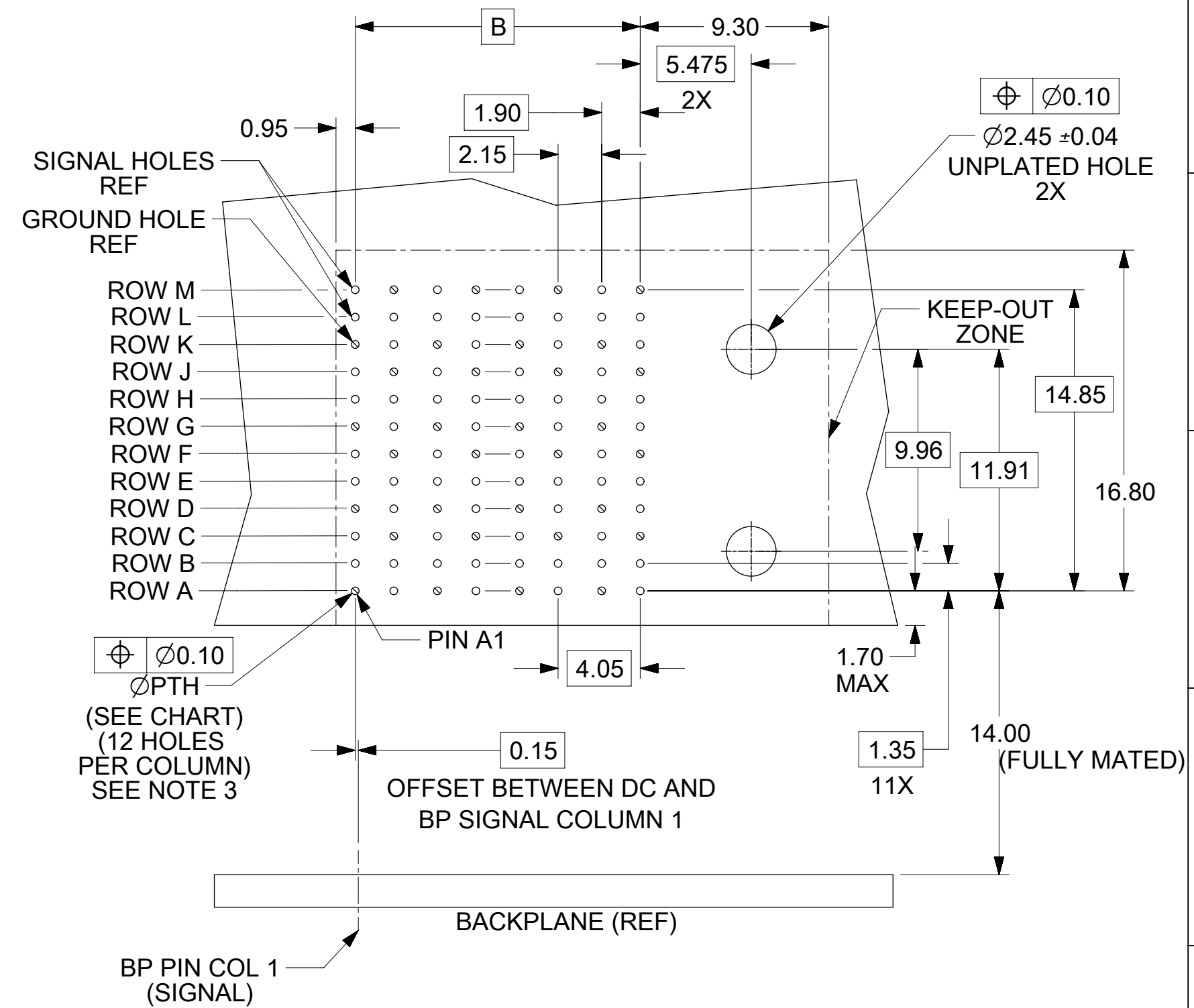
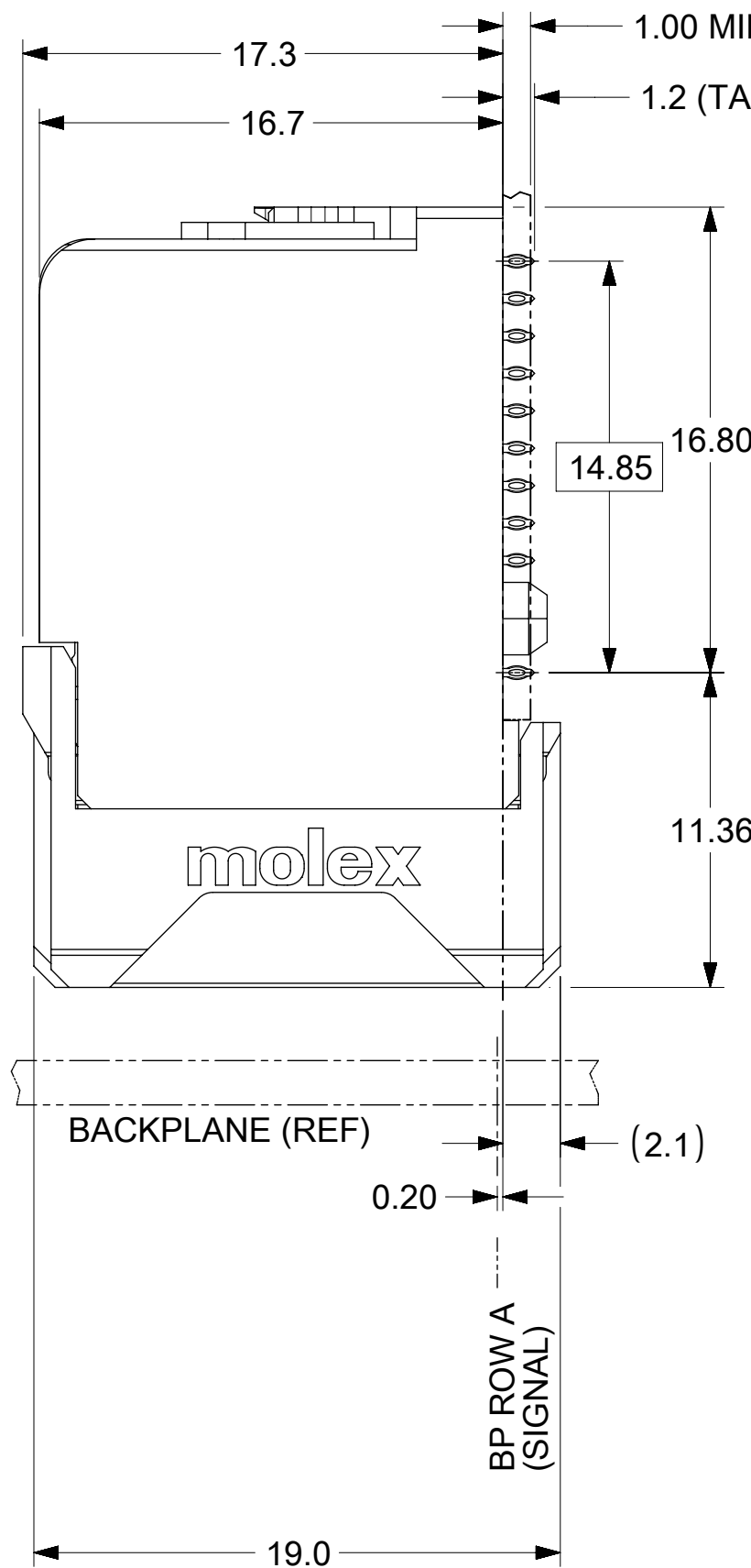
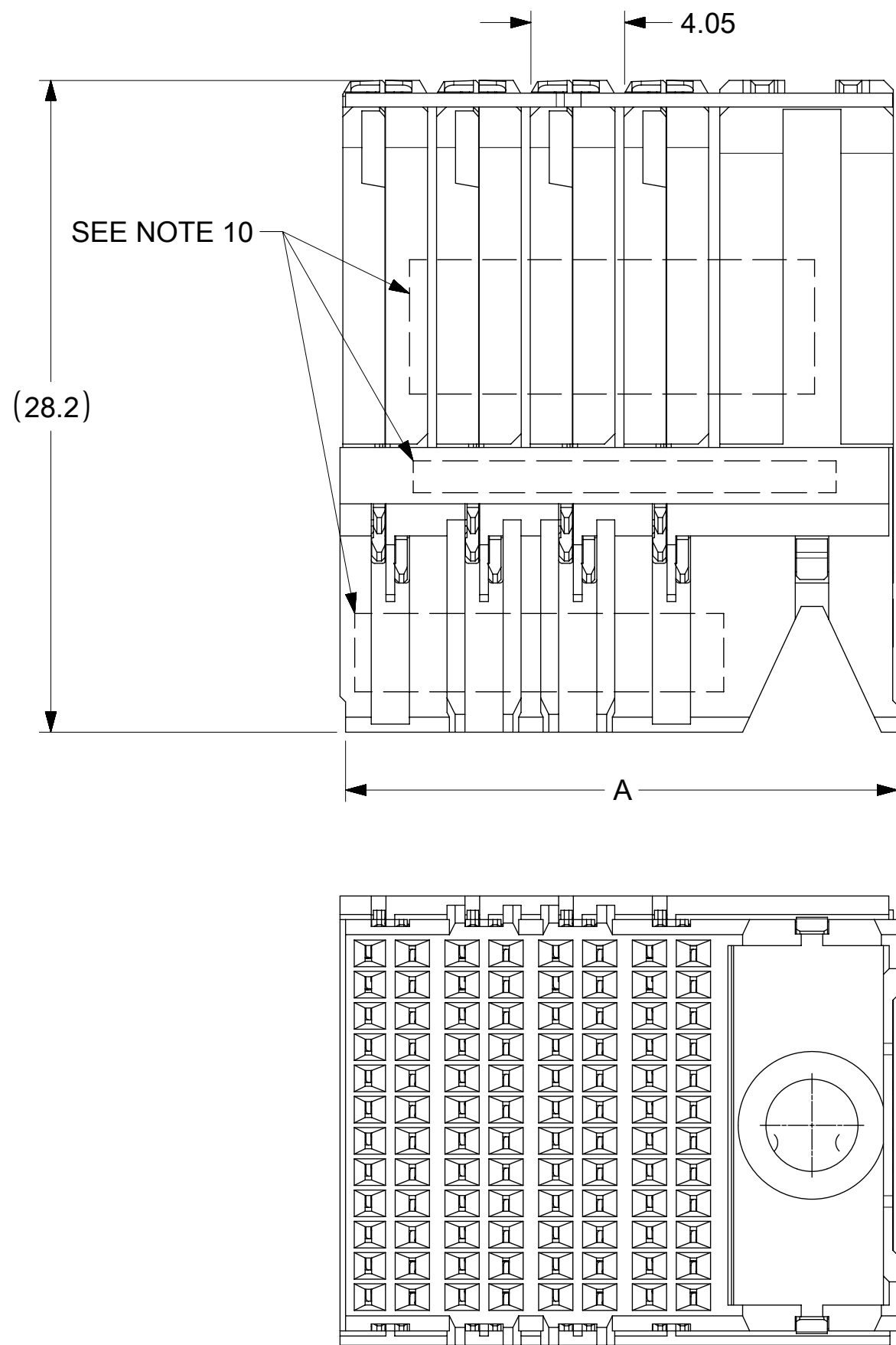
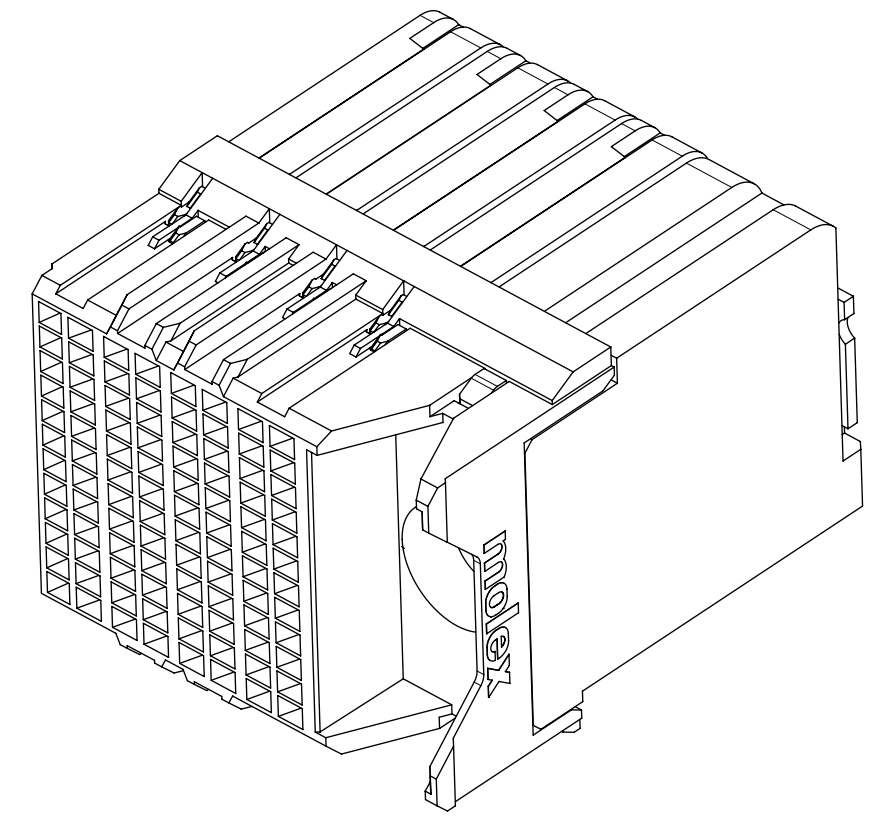


| MATERIAL NUMBER | # OF COLUMNS | # OF DIFF PAIR | DIM "A" MAX | DIM "B" | PTH $\phi$      |
|-----------------|--------------|----------------|-------------|---------|-----------------|
| 76850-5006      | 6            | 24             | 20.25       | 10.00   | 0.46 $\pm$ 0.05 |
| 76850-5036      | 6            | 24             | 20.25       | 10.00   | 0.39 $\pm$ 0.05 |
| 76850-5008      | 8            | 32             | 24.30       | 14.05   | 0.46 $\pm$ 0.05 |
| 76850-5038      | 8            | 32             | 24.30       | 14.05   | 0.39 $\pm$ 0.05 |
| 76850-5010      | 10           | 40             | 28.35       | 18.10   | 0.46 $\pm$ 0.05 |
| 76850-5020      | 10           | 40             | 28.35       | 18.10   | 0.39 $\pm$ 0.05 |

76850-\*0\*\*

MODULE & TAIL PLATING TYPE  
5 = RIGHT GUIDED, LEAD-FREE

# OF COLUMNS  
06 = 6 COL 0.46 PTH  
36 = 6 COL 0.39 PTH  
08 = 8 COL 0.46 PTH  
38 = 8 COL 0.39 PTH  
10 = 10 COL 0.46 PTH  
20 = 10 COL 0.39 PTH



DAUGHTERCARD HOLE PATTERN  
(CONNECTOR SIDE)

NOTES:

- MATERIALS: HOUSING - LIQUID CRYSTAL POLYMER (LCP), GLASS-FILLED, UL94V-0  
TERMINALS - HIGH PERFORMANCE COPPER ALLOY
- FINISH: 30uIN MIN GOLD IN CONTACT AREA. SELECTIVE TIN ON PCB TAILS. NICKEL OVERALL.
- REFER TO MOLEX PRODUCT SPEC PS-76060-999 FOR PERFORMANCE SPECIFICATIONS AND ADDITIONAL PCB INFORMATION.
- EACH SIGNAL WAFER CONTAINS 2 COLUMNS OF TERMINALS.
- PRODUCT IS PACKAGED PER PK-70873-610.
- THIS PART CONFORMS TO CLASS B REQUIREMENTS OF COSMETIC SPEC PS-45499-002.
- REFER TO MOLEX SALES DRAWING SD-76845-003 FOR THE MATING HEADERS.
- WHEN USING MOLEX SUPPLIED #2-32 SCREW 73726-0000 (9.50mm $\pm$ 0.38 THREADABLE SCREW LENGTH), THE MAXIMUM BOARD THICKNESS IS 4.4mm.
- REFER TO MOLEX ROUTING GUIDE AS-76850-990 FOR ADDITIONAL PCB LAYOUT AND ROUTING RECOMMENDATIONS.
- MARKING: LOCATED APPROXIMATELY AS SHOWN. PART NUMBER AND DATE CODE.

| DIMENSION UNITS                                      |                     | SCALE                  | CURRENT REV DESC: MIGRATED TO NX |          |
|--|---------------------|------------------------|----------------------------------|----------|
| mm   | NTS                 |                        |                                  |          |
| GENERAL TOLERANCES (UNLESS SPECIFIED)                |                     | EC NO: 612533          |                                  |          |
| ANGULAR TOL  | $\pm$ 0.5°          | DRWN: MMALLIGEVALU     | 2018/11/09                       |          |
| 4 PLACES   | $\pm$               | CHK'D: TMARRI          | 2019/02/22                       |          |
| 3 PLACES   | $\pm$               | APPR: BOKOK            | 2019/03/01                       |          |
| 2 PLACES   | $\pm$ 0.15          | INITIAL REVISION:      |                                  |          |
| 1 PLACE  | $\pm$ 0.25          | DRWN: JLAURX           | 2010/01/11                       |          |
| 0 PLACES   | $\pm$               | APPR: JBINGHAM         | 2010/01/14                       |          |
| DRAFT WHERE APPLICABLE MUST REMAIN WITHIN DIMENSIONS |                     | THIRD ANGLE PROJECTION | DRAWING                          | SERIES   |
|  |                     |                        | C-SIZE                           | 76850    |
| DOCUMENT STATUS                                      |                     | DOCUMENT NUMBER        |                                  | DOC TYPE |
| P1   | RELEASE DATE        | SD-76850-004           |                                  | PSD      |
|  | 2019/03/01 07:25:58 | CUSTOMER               |                                  | DOC PART |
|  |                     | GENERAL MARKET         |                                  | 001      |
|  |                     | SHEET NUMBER           |                                  | B4       |
|  |                     | MATERIAL NUMBER        |                                  | 1 OF 1   |
|  |                     | SEE CHART              |                                  |          |