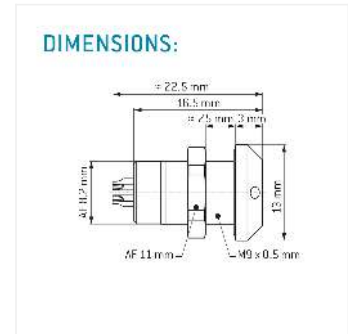
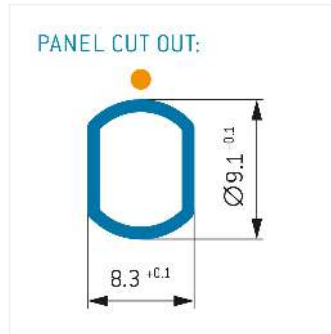
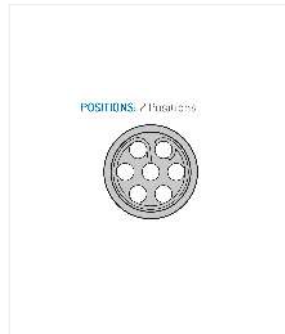
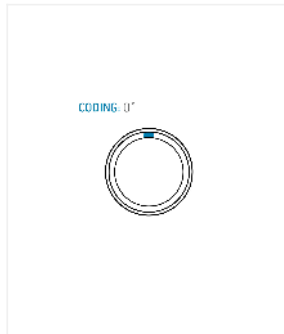


General information

|                   |                     |
|-------------------|---------------------|
| Part number       | GLOLOC-P07LCC0-0000 |
| Termination       | solder              |
| Size              | 0                   |
| Locking principle | break, push         |
| Coding            | 0_key               |



Contact insert description

|                      |         |
|----------------------|---------|
| Number of contacts   | 7       |
| Contact type         | sockets |
| Contact diameter     | 05mm    |
| Insulator material   | peek    |
| Wire cross section   | 28_awg  |
| Termination          | solder  |
| Termination diameter | 04mm    |

reverse\_gender\_on\_request

Technical information

|  |          |               |
|--|----------|---------------|
| Max. creepage and air clearance distance | 07_mm    | 08_mm         |
| Nominal current single contact           | 04_a     | iec_60512_5_2 |
| Nominal current insert                   | 2,6 A    | vde_0298_4    |
| Test voltage                             | 09_kv_ac | sae_13441     |

safety\_text

Mechanical and environmental data

|                       |          |
|-----------------------|----------|
| Degree of protection* | ip68     |
| Operating temperature | 40_120_c |
| Mating cycles         | 5000     |

unmated

Material and surface treatments

|         |               |
|---------|---------------|
| Housing | m_chrome      |
| Contact | cu_alloy_gold |

safety\_text\_2  
ul\_text  
illustrative\_text