

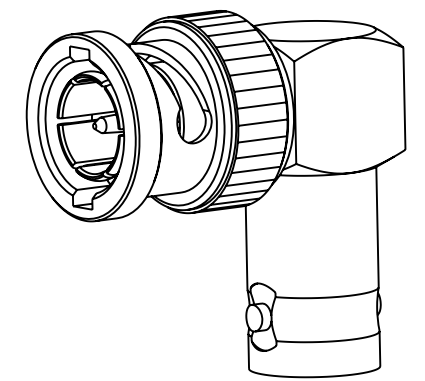
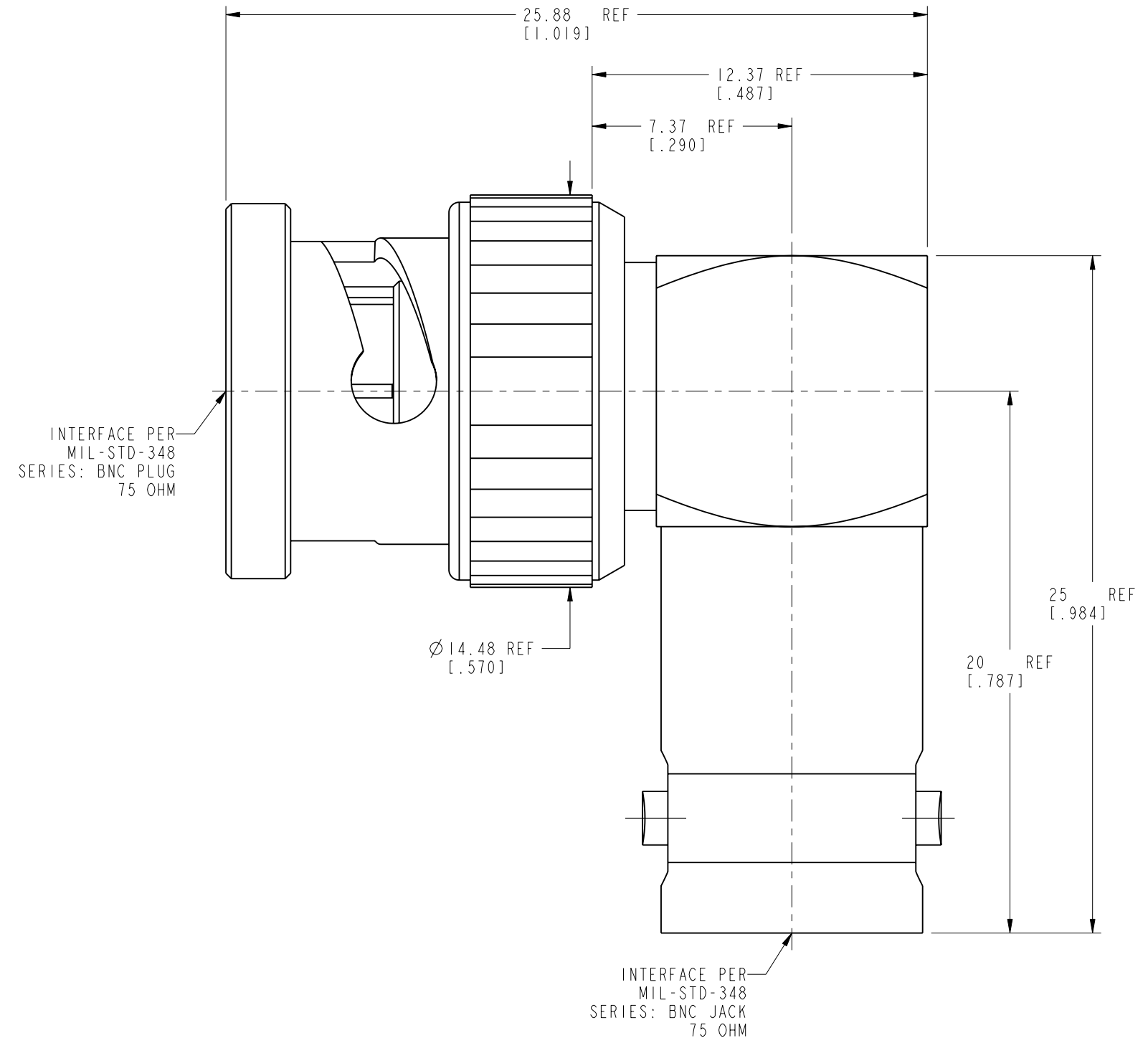
NOTES:

1. MATERIALS AND FINISHES:
 JACK BODY, RETAINING RINGS, WASHER,
 COUPLING NUT & COVER - BRASS, NICKEL PLATING
 PLUG BODY - PHOSPHOR BRONZE, NICKEL PLATING
 INSULATORS - PTFE, NATURAL
 JACK CONTACT - BeCu, GOLD PLATING
 PLUG CONTACT - BRASS, GOLD PLATING
 SPRING - BeCu, NICKEL PLATING
 GASKET - RUBBER, RED
2. ELECTRICAL:
 A. IMPEDANCE: 75 OHM
 B. FREQUENCY RANGE: DC-12 GHz
 C. RETURN LOSS: -20 dB MIN. @ DC-6 GHz
 -15 dB MIN. @ 6-12 GHz
3. MECHANICAL:
 A. DURABILITY: 500 CYCLES MIN.
 B. TEMPERATURE RANGE: -65°C TO +165°C
4. PACKAGING:
 A. QUANTITY: SINGLE PACK
 B. MARKING: BAG TO BE MARKED
 "AMPHENOL RF, 31-9-75-12G AND DATE CODE"

THIRD ANGLE PROJ.

REVISIONS

REV	DESCRIPTION	DATE	ECN	APPR
A	RELEASE TO MFG.	23-Jul-18	08609	BMG



SCALE 1.800

CUSTOMER OUTLINE DRAWING

ALL OTHER SHEETS ARE FOR INTERNAL USE ONLY

UNLESS OTHERWISE SPECIFIED, DIMENSIONS ARE IN METRIC AND TOLERANCES ARE: <0.5mm 0.5 - 6mm 6 - 30mm 30 - 120mm ANGLES ± 0.05mm ±0.1mm ±0.2mm ± 0.3mm ±1°	MATERIAL	DRAWN	DATE	TITLE	Amphenol RF www.amphenolrf.com	
	-	SUNDE	23-Jul-18	75 OHM BNC RA PLUG TO JACK ADAPTER		
NOTICE - These drawings, specifications, or other data (1) are, and remain the property of Amphenol corp. (2) must be returned upon request; and (3) are confidential and not to be disclosed to any person other than those to whom they are given by Amphenol Corp. the furnishing of these drawings, specifications, or other data by Amphenol Corp., or to any other person to anyone for any purpose is not to be regarded by implication or otherwise in any manner licensing, granting rights to permitting such holder or any other person to manufacture, use or sell any product, process or design, patented or otherwise, that may in any way be related to or disclosed by said drawings, specifications, or other data.	REFERENCE	ENGINEER	DATE	SCALE: 5.0:1.0 SHEET 2 OF 2	DRAWING NO. 31-9-75-12G	
	EAR# 7824	SUNDE	25-Jul-18		ITEM NO. 31-9-75-12G	
	REF: 31-9-75RFX	APPROVED	S.HSIEH	DATE	DWG SIZE REV B A	PART NO. 31-9-75-12G
	CONFIGURATION LEVEL: In Work	S.HSIEH	25-Jul-18	CAD FILE		
FINISH						