

4

3

2

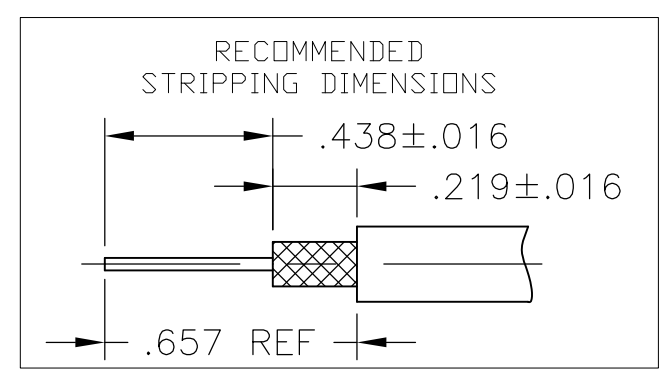
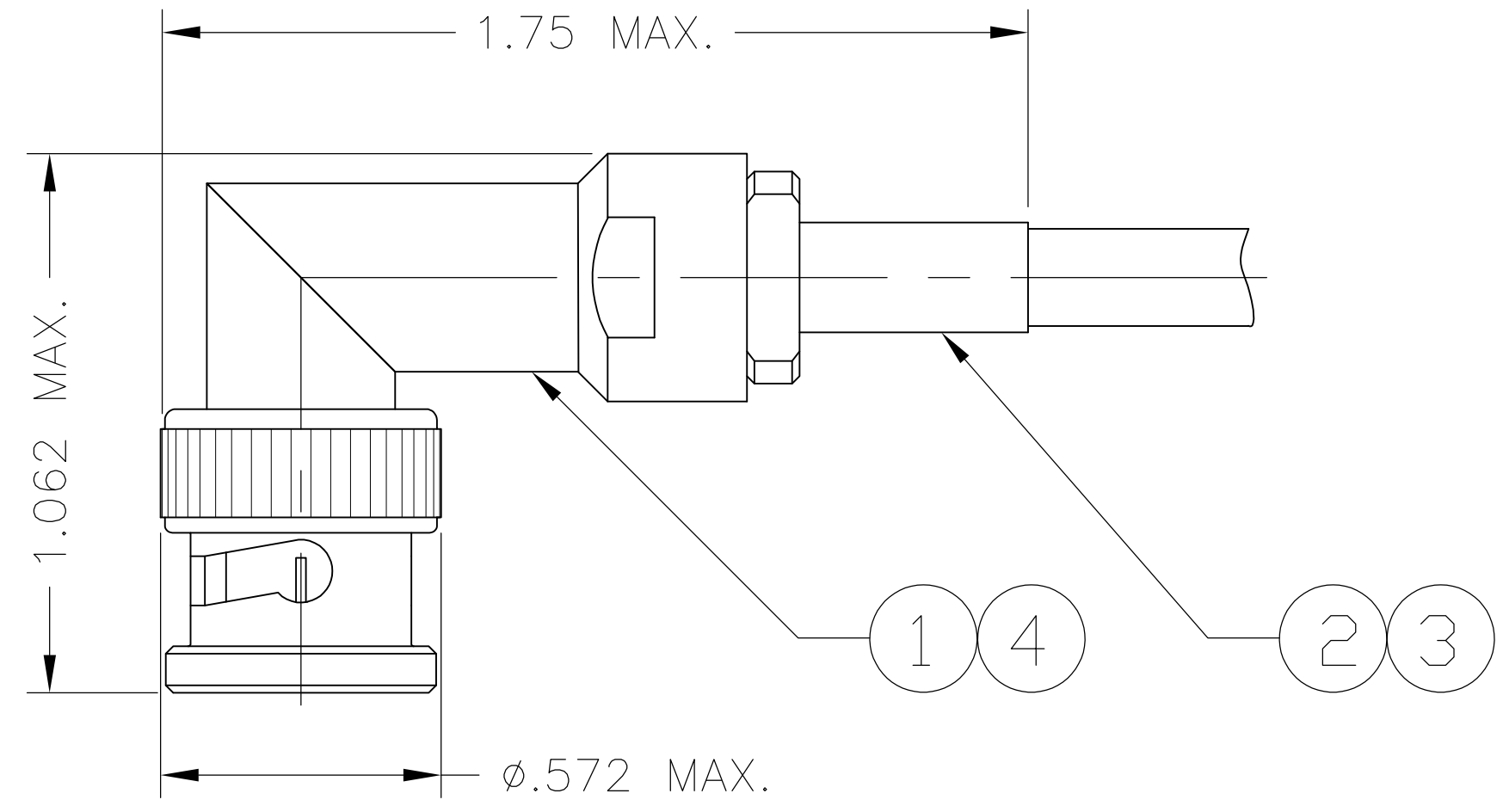
1

THIS DRAWING IS UNPUBLISHED. RELEASED FOR PUBLICATION  
 © COPYRIGHT - By - ALL RIGHTS RESERVED.

REVISIONS				
P	LTR	DESCRIPTION	DATE	APVD
	H	REVISE PER ECR-16-003354	15MAR2016	LN RS

Note:

- 1 FOR USE WITH: RG-58/U, 58A/U, 58B/U, 58C/U
- 2 USE CRIMPING TOOL: 69140-1



QTY	DESCRIPTION	PART NO.	ITEM NO.
1	GASKET	2-329106-1	4
1	CRIMP END ASSY	9-50793-0	3
1	FERRULE	9-328663-0	2
1	PLUG ASSY, RIGHT ANGLE	330797	1

THIS DRAWING IS A CONTROLLED DOCUMENT.		DWN	20APR1983	<b>TE Connectivity</b>	
DIMENSIONS: mm		CHK	11MAY1983		
TOLERANCES UNLESS OTHERWISE SPECIFIED:		APVD	25APR1984		
0 PLC ± - 1 PLC ± - 2 PLC ± - 3 PLC ± - 4 PLC ± - ANGLES ± -		PRODUCT SPEC	NAME		
MATERIAL		APPLICATION SPEC		CONNECTOR, COAXIAL, RF PLUG RIGHT ANGLE, SERIES BNC	
FINISH		408-1799		SIZE	A3
		CUSTOMER DRAWING		CAGE CODE	00779
		SCALE 1:1		DRAWING NO	C-331175
		SHEET 1 OF 1		RESTRICTED TO	-
		REV H			