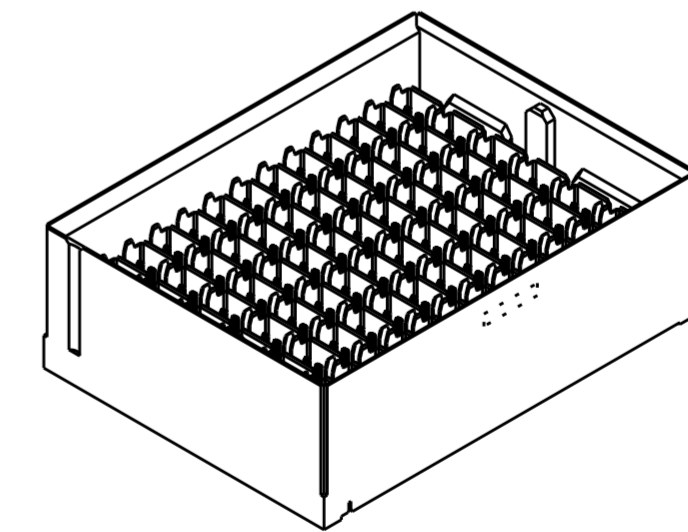
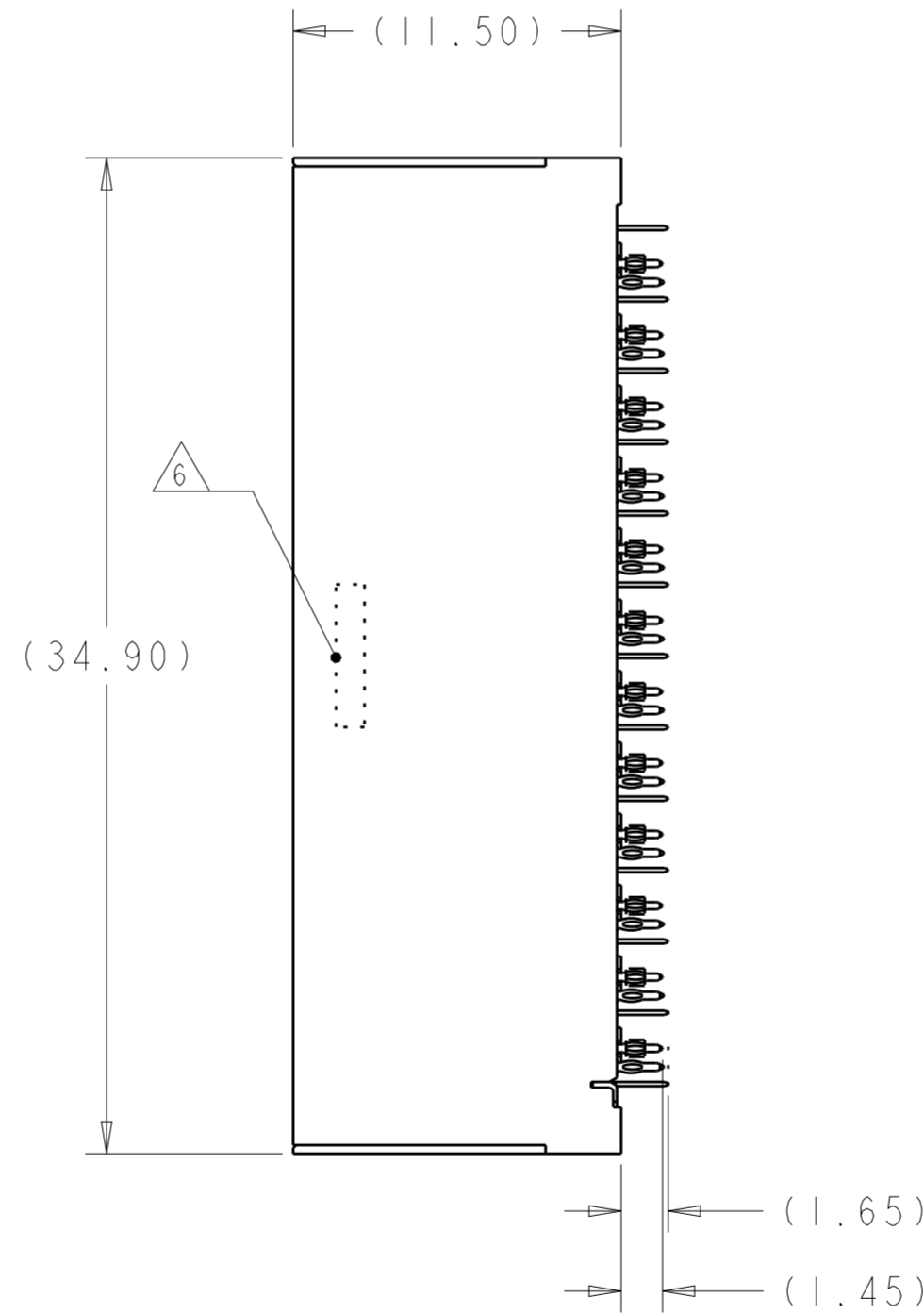
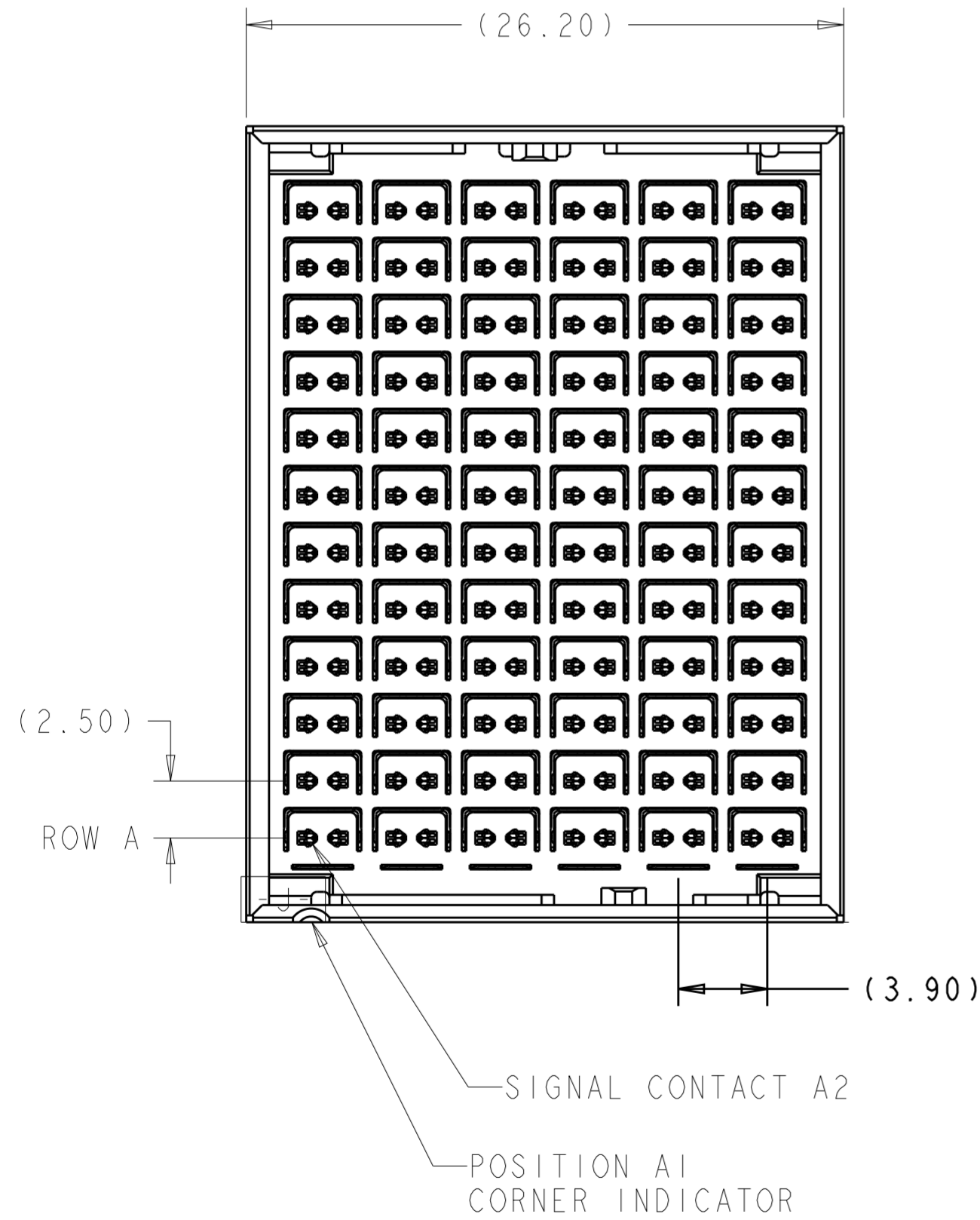


THIS DRAWING IS UNPUBLISHED. RELEASED FOR PUBLICATION 2011
 © COPYRIGHT 2011 BY TE CONNECTIVITY ALL RIGHTS RESERVED.

LOC	DIST	REVISIONS					
GP	00	P	LTR	DESCRIPTION	DATE	DWN	APVD
		A		REVISED PER ECO-16-000464	02FEB2016	AP	RP
		B		REVISED PER ECO-17-003153	14MAR2017	AP	RP



- 1 MATERIAL:
HOUSING: THERMOPLASTIC, UL 94V-0, BLACK
CONTACTS AND SHIELDS: COPPER ALLOY
- 2 FINISH:
- CONFORMS TO THE REQUIREMENTS OF TE PRODUCT SPECIFICATION 108-32021 BASED ON TELCORDIA GR-1217-CORE FOR SYSTEM QUALITY LEVEL III, APPLICATIONS IN CONTROLLED ENVIRONMENTS (CENTRAL OFFICE).
- COMPLIANT PIN AREA: 0.5µm MIN MATTE TIN.
- 3 SIGNAL PLATED THRU HOLE REQUIREMENTS:
FINISHED HOLE = $\varnothing 0.34 \pm 0.05$
HOLE SIZE PRIOR TO PLATING = $\varnothing 0.420 \pm 0.025$
COPPER THICKNESS = 0.025 MIN
IMMERSION TIN IF APPLICABLE = 0.00095 REF
- 4 GROUND AND SI VIA PLATED THRU HOLE REQUIREMENTS:
FINISHED HOLE = $\varnothing 0.37 \pm 0.05$
HOLE SIZE PRIOR TO PLATING = $\varnothing 0.450 \pm 0.025$
COPPER THICKNESS = 0.025 MIN
IMMERSION TIN IF APPLICABLE = 0.00095 REF
- 5 PTH DIMENSIONS APPLY TO THE TOP 1.00mm OF THE PCB THICKNESS FROM THE CONNECTOR MOUNTING SIDE.
- 6 CONNECTOR MARKED WITH PART NUMBER, DATE CODE, AND "100 OHM" IN APPROXIMATE AREA SHOWN.
- 7 DATUMS AND BASIC DIMENSIONS ESTABLISHED BY CUSTOMER.
- 8 APPLIES TO FINISHED HOLE DIAMETER.



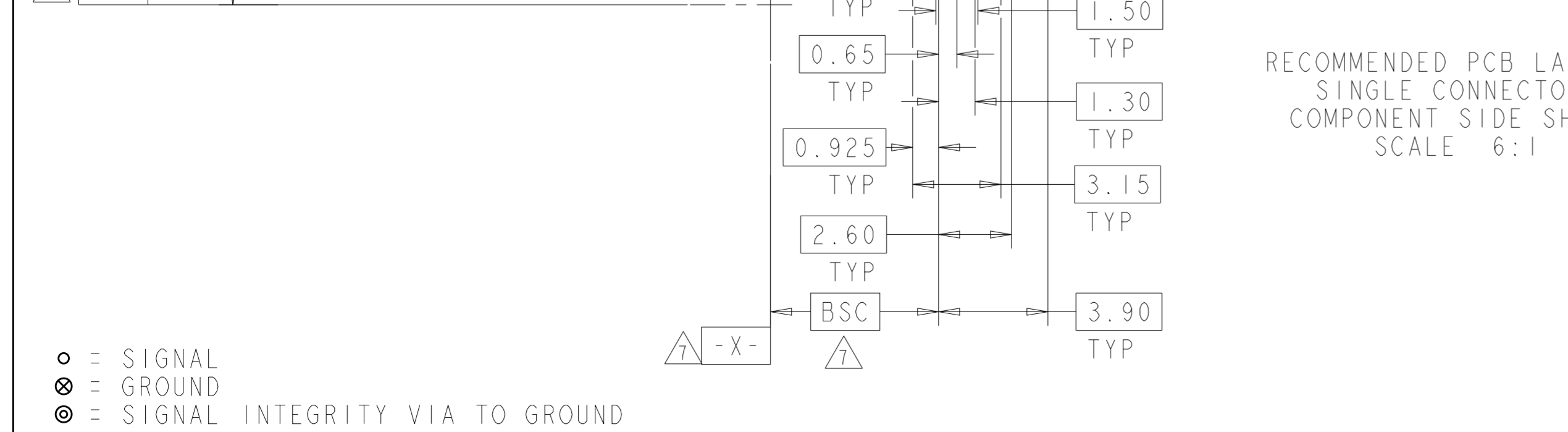
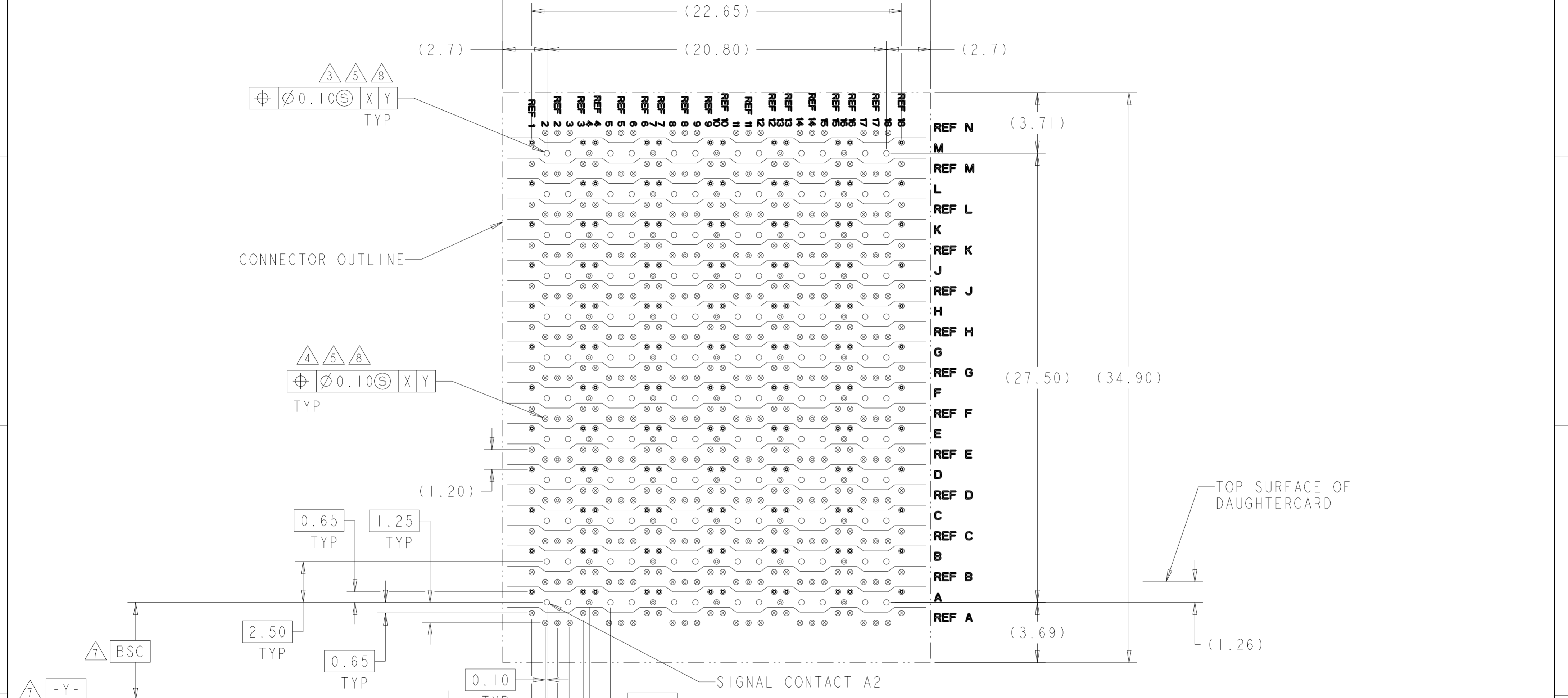
SCALE 2:1

2187231-1
PART NO

THIS DRAWING IS A CONTROLLED DOCUMENT.		DWN J. K. SHOBER 13DEC2011	TE Connectivity	
		CHK M. SYPOLT 13DEC2011		
DIMENSIONS: mm		APVD	NAME HEADER ASSEMBLY, 12 PAIR, 6 COLUMN, MIDPLANE, 100 OHM, PAIR-IN-ROW, STRADA WHISPER	
TOLERANCES UNLESS OTHERWISE SPECIFIED: 0 PLC ± 1 PLC ± 2 PLC ± 3 PLC ± 4 PLC ± ANGLES ± FINISH		PRODUCT SPEC 108-32021	SIZE A2	
MATERIAL		APPLICATION SPEC 114-32029	CAGE CODE 00779	DRAWING NO 2187231
1 -		WEIGHT -	RESTRICTED TO -	
2 -		CUSTOMER DRAWING	SCALE 4:1	SHEET 1 OF 2 REV B

THIS DRAWING IS UNPUBLISHED. RELEASED FOR PUBLICATION 2011
 © COPYRIGHT 2011 BY TE CONNECTIVITY ALL RIGHTS RESERVED.

LOC		DIST		REVISIONS			
P	LTR	DESCRIPTION	DATE	DWN	APVD		
-	-	SEE SHEET 1	-	-	-		



RECOMMENDED PCB LAYOUT,
 SINGLE CONNECTOR
 COMPONENT SIDE SHOWN
 SCALE 6:1

- = SIGNAL
- ⊗ = GROUND
- ⊙ = SIGNAL INTEGRITY VIA TO GROUND

THIS DRAWING IS A CONTROLLED DOCUMENT.		DWN J. K. SHOBER 13DEC2011	TE Connectivity	
		CHK M. SYPOLT 13DEC2011		
DIMENSIONS: mm		TOLERANCES UNLESS OTHERWISE SPECIFIED:		NAME HEADER ASSEMBLY, 12 PAIR, 6 COLUMN, MIDPLANE, 100 OHM, PAIR-IN-ROW, STRADA WHISPER
		0 PLC ±	PRODUCT SPEC 108-32021	SIZE A2
MATERIAL material_2		1 PLC ±	APPLICATION SPEC 114-32029	CAGE CODE 00779
		2 PLC ±	WEIGHT -	DRAWING NO C-2187231
		3 PLC ±	Customer Drawing	RESTRICTED TO -
		4 PLC ±	SCALE 3:1	SHEET 2 OF 2
		ANGLES ±		REV B
		FINISH finish_spec_2		