

DRAWING MADE IN THIRD ANGLE PROJECTION

3

2

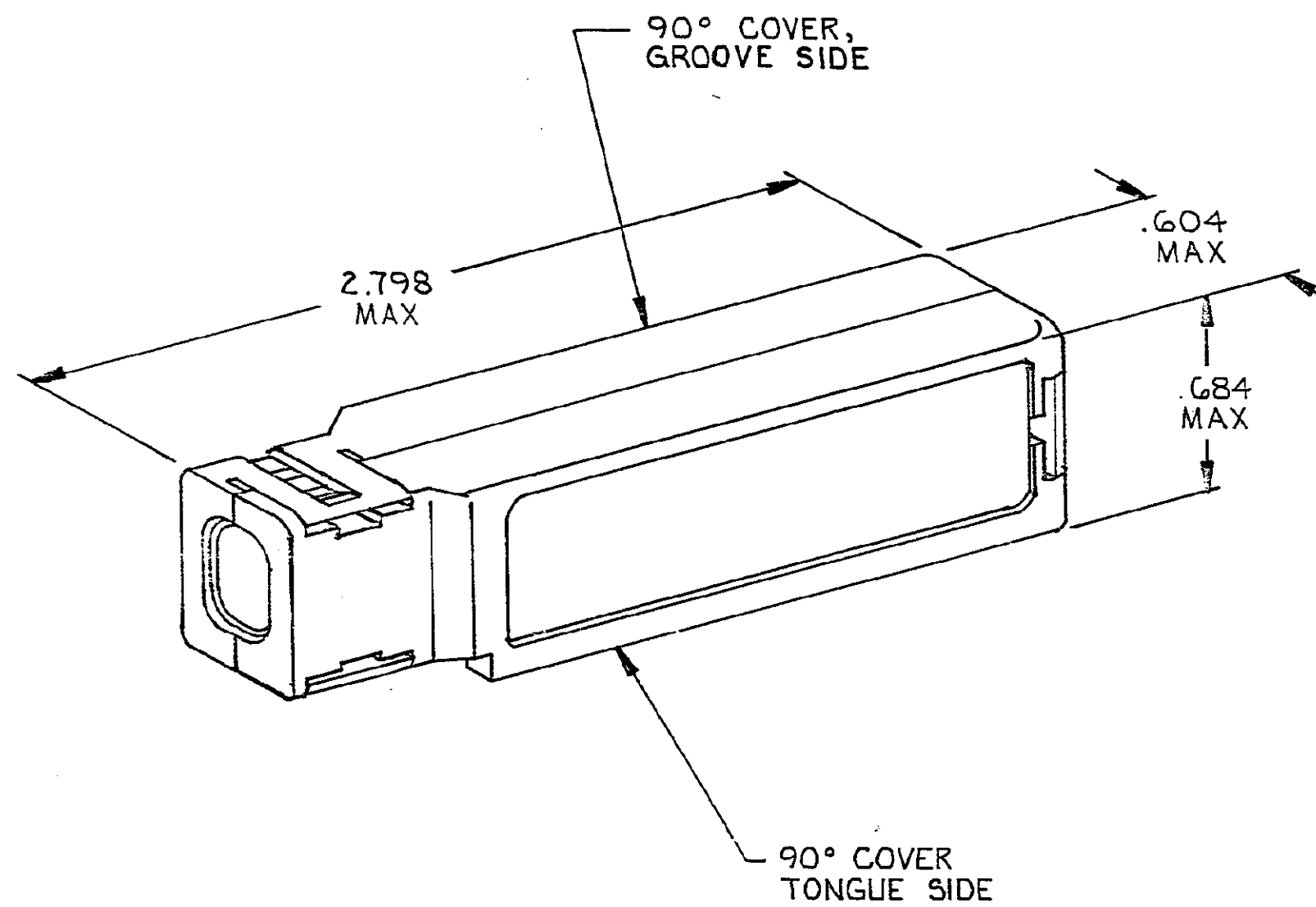
1

LOC DIST  
AA 20

THIS DRAWING IS UNPUBLISHED. RELEASED FOR PUBLICATION, 19  
 © COPYRIGHT 19 BY AMP INCORPORATED, HARRISBURG, PA. ALL INTERNATIONAL RIGHTS RESERVED. AMP PRODUCTS MAY BE COVERED BY U.S. AND FOREIGN PATENTS AND/OR PATENTS PENDING.

REVISIONS						
P	F	ZONE	LTR	DESCRIPTION	DATE	APPROVED
H	V		H	OBSOLETE 5/1 & 5/2, ECN AA-4830	5/30/89	TE
J			J	REVISED PER ECO-17-012440	3/15/18	J

- COVERS SHIPPED NOT ASSEMBLED.
- 100 KITS BULK PACKED.



552414

OBSOLETE	BULK	.330 - .380	BLACK	3-552422-1	3-552421-1	3-552414-1
	BULK	.305 - .360		552422-1	552421-1	552414-1
	PACKAGING	CABLE RANGE DIAMETER	COLOR	GROOVE SIDE PART NO.	TONGUE SIDE PART NO.	KIT PART NO.
UNLESS OTHERWISE SPECIFIED DIMENSIONS ARE IN INCHES. TOLERANCES ON: DECIMALS ± ANGLES ±		CONTRACT NO. DR P.K. COLLINS 5-3-83 CHK Stephen Dora 5/5/83 APPD C.F. Moore 5/5/83 APPD [Signature] 5/5/83		AMP   AMP INCORPORATED Harrisburg, Pa. 17105		
MATERIAL POLYPHENYLENE	FINISH		NAME COVER KIT, 90°, 36 POSITION, CHAMP®			
OTHER APPD		SIZE C	FSCM NO 00779	DRAWING NO 552414		
		SCALE 2:1		SHEET 1 OF 1		