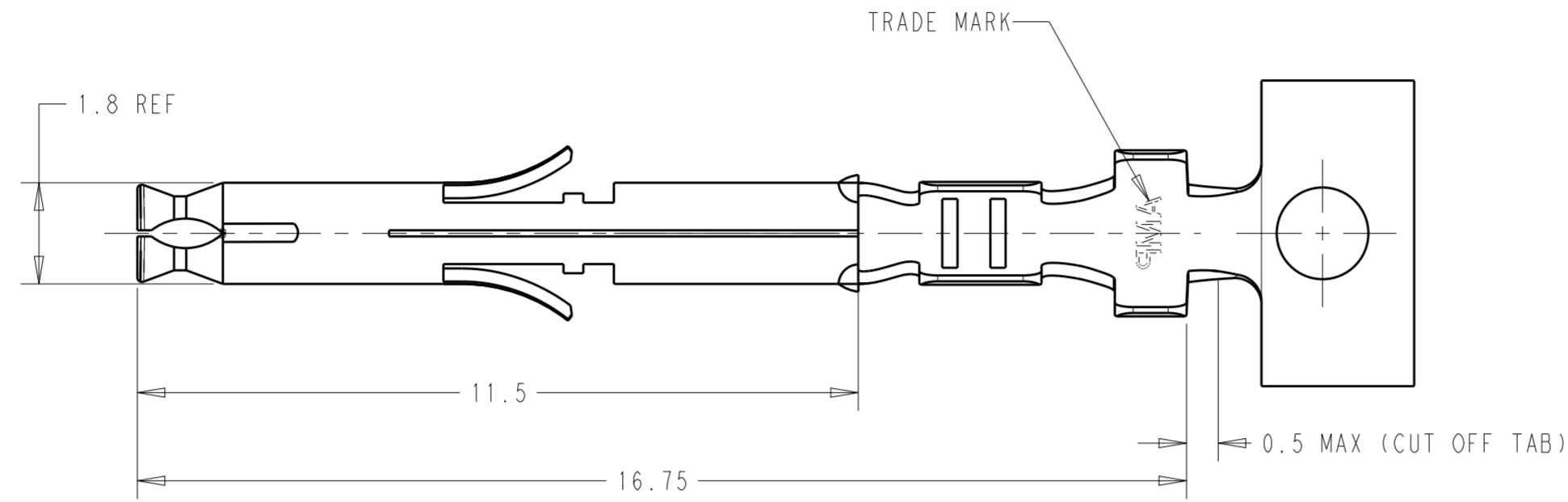
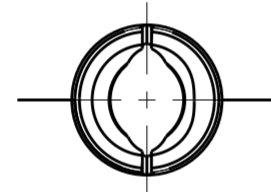


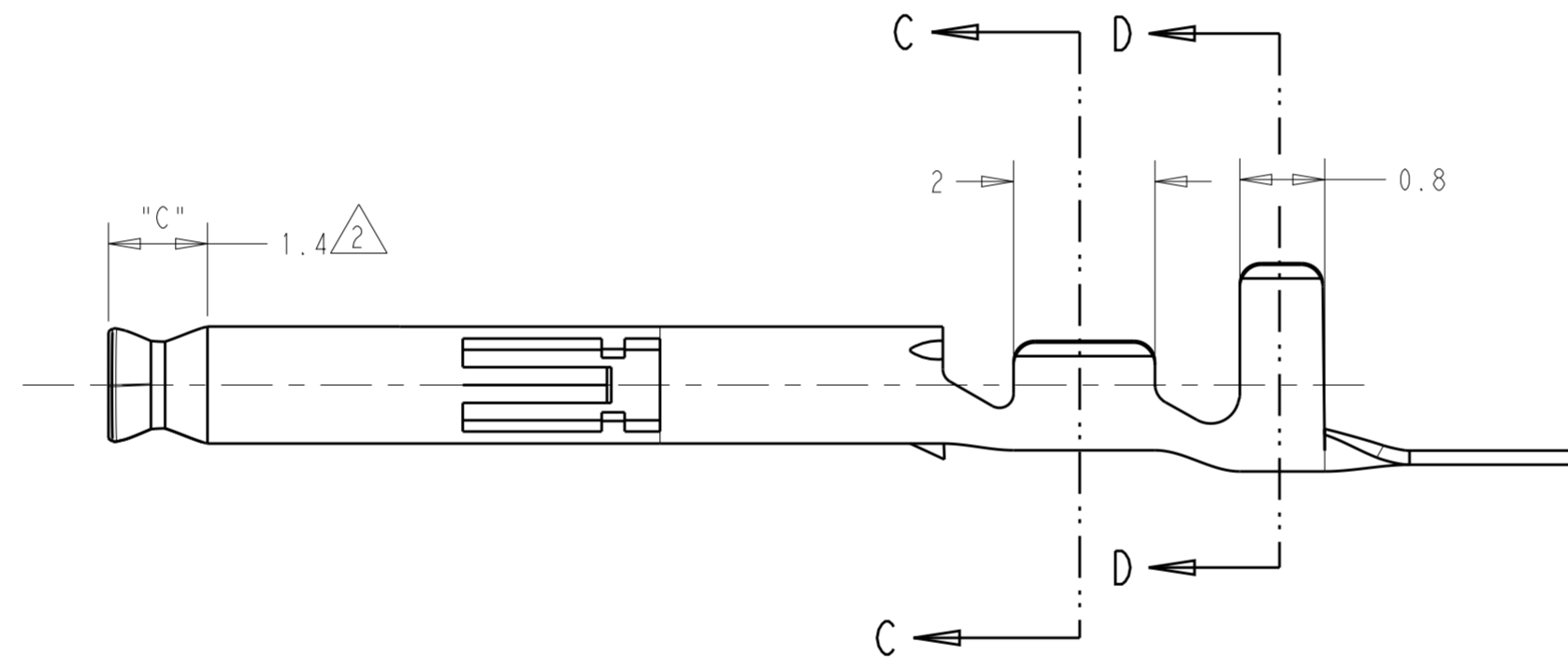
P	LTR	DESCRIPTION	DATE	DWN	APVD
F2		REVISED PER ECR-20-005023	24APR2020	BDA	SW
G		REVISED FOR ECR-20-100490	29SEP2020	PC	SW



- 1 APPLICABLE HOUSING: CAP AND PLUG.
- 2 SELECTIVE GOLD PLATED AREA "C" 0.0004mm MIN THICK OVER Ni PLATE ON INSIDE SURFACE.



SCALE 12:1



SECTION C-C
SCALE 15:1

SECTION D-D
SCALE 15:1

170359, 170360 170363, 170364	(PRE-TIN PHOZ BRO)	170365-4	170361-4
170359, 170360 170363, 170364	(GOLD PLATE) 2	170365-3	170361-3
170359, 170360 170363, 170364	(PRE-TIN BRASS)	170365-1	170361-1
MATING PART NUMBER	FINISH	LOOSE PIECE PART NUMBER	PART NUMBER

THIS DRAWING IS A CONTROLLED DOCUMENT.		DWN	TE Connectivity	
DIMENSIONS: mm		CHK	 MINI UNIVERSAL MATE-N-LOK SOCKET CONTACT	
TOLERANCES UNLESS OTHERWISE SPECIFIED:		APVD		
0 PLC ±0.3 1 PLC ±0.3 2 PLC ± 3 PLC ± 4 PLC ± ANGLES ± FINISH SEE TABLE		PRODUCT SPEC 108-5138		
MATERIAL SEE TABLE		APPLICATION SPEC 114-5050		
		WEIGHT	SIZE A2	CAGE CODE 00779
		CUSTOMER DRAWING	DRAWING NO G-170361	RESTRICTED TO
		SCALE 5:1	SHEET 1 OF 1	REV G