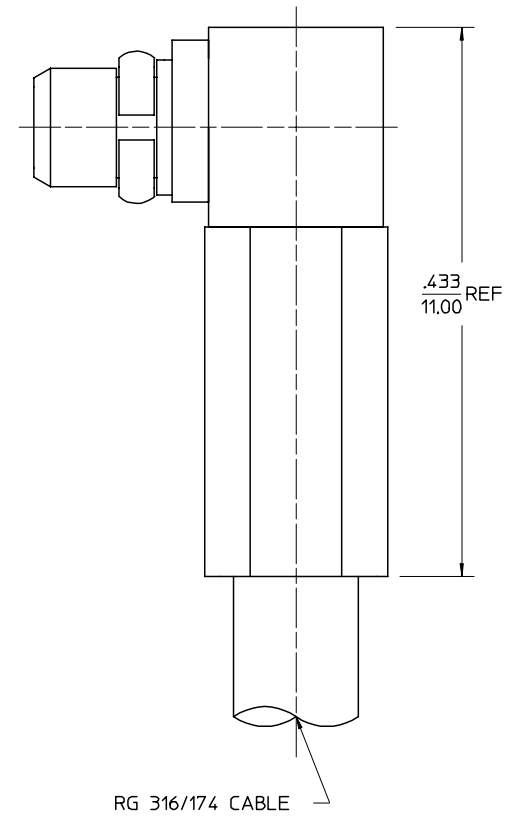
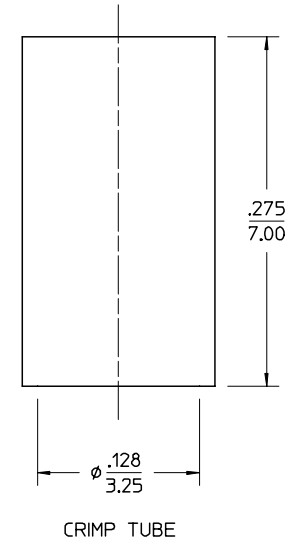
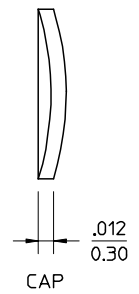
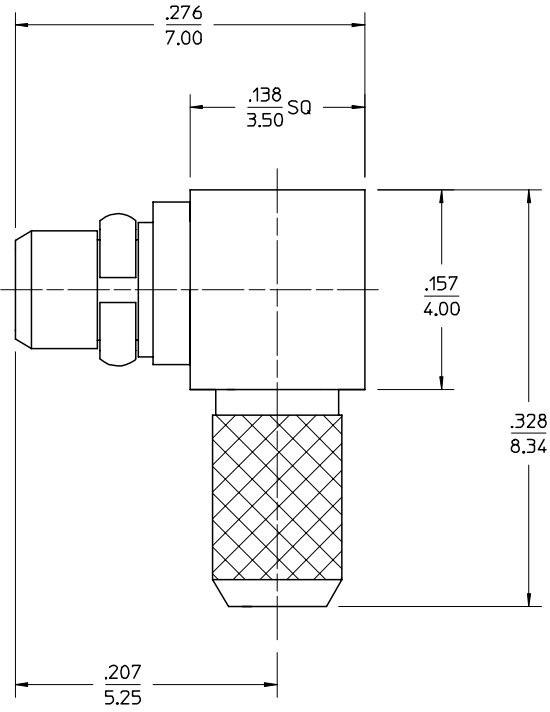


MATERIALS AND FINISHES:

BODYS, CRIMP TUBE, CAP  
BRASS, PLATED GOLD

CONTACT, SNAP RING  
BERYLLIUM COPPER, PLATED GOLD

INSULATOR  
TEFLON



AS-89678-4500	CABLE ASSEMBLY INSTRUCTIONS	SD-73415-2311	PER COMMERCIAL REQUIREMENTS
PS-89675-1930	ELECTRO/MECH PERFORMANCE	SD-73415-2310	PER MILITARY REQUIREMENTS
SPECIFICATION	DESCRIPTION	PART NUMBER	PLATING

CHG:	EC NO. RF-XXXX DRWN: LYNN LIN CHK: JOHNSON CHANG APPR: MISEN HUANG CHG: NEW RELEASE
REV	EC NO. RF-0739 DRWN: JACK 00/09/19 CHK: JOHNSON APPR: MISEN

UNLESS OTHERWISE SPECIFIED DIMS ARE INCHES AND ANGLES ARE DEGREES.

1.  $\sqrt{63}$  ALL OVER.
2. NO CHATTER OR NON-UNIFORM SURFACE FINISH ALLOWED.
3. PARTS TO BE FREE OF BURRS & SHARP EDGES .005 MAX BREAK.
4. EXTERNAL THREADS TO BE ROLLED OR SINGLE POINT.
5. DIAMETERS TO BE CONCENTRIC WITHIN .003 TIR.

QUALITY SYMBOLS	GENERAL TOLERANCES: (UNLESS SPECIFIED)
MAJOR	mm INCH
CRITICAL	mm INCH
	ANGULAR: $\pm 2^\circ$
	DRAFT WHERE APPLICABLE MUST REMAIN WITHIN DIMENSIONS

SCALE	DESIGN UNITS
DRAWN BY & DATE	JACK LIN 2000/09/19
CHECKED BY & DATE	
APPROVED BY & DATE	
CAD FILENAME	

THIRD ANGLE PROJECTION	TITLE:
	MMCX(P) REVERSE R/A RG316/174 MMCX-PC
MATERIAL NO. SEE NOTE	DRAWING NO. SD-73415-231
THIS DRAWING CONTAINS INFORMATION THAT IS PROPRIETARY TO MOLEX INCORPORATED AND SHOULD NOT BE USED WITHOUT WRITTEN PERMISSION.	

1	B1
SHT	REV
REVISE ON CAD ONLY	

SHEET NO. 1 of 1	SIZE B
------------------	--------