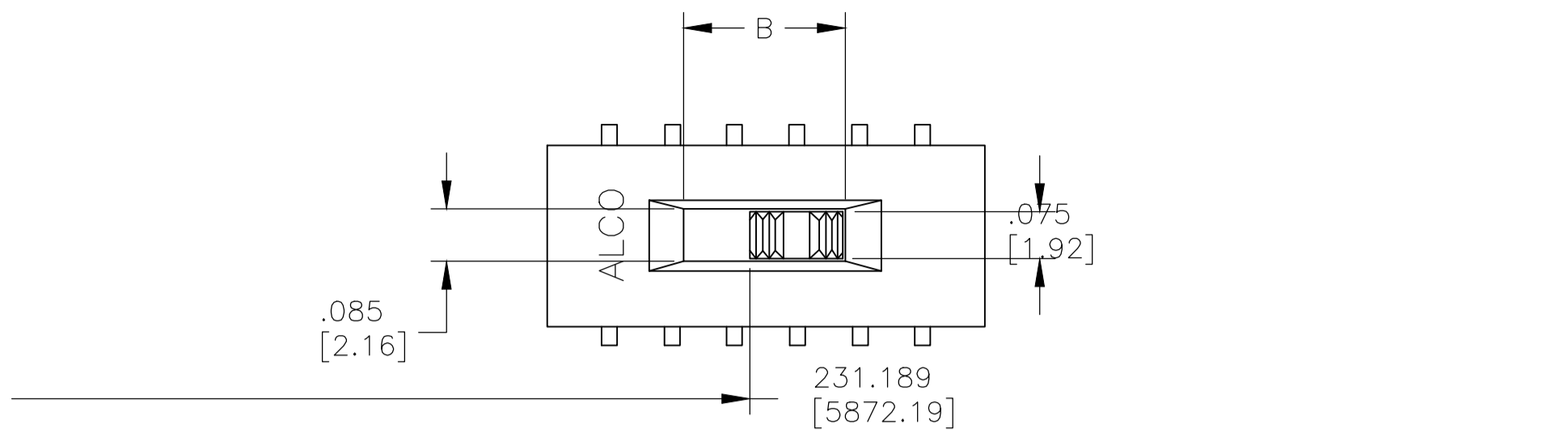
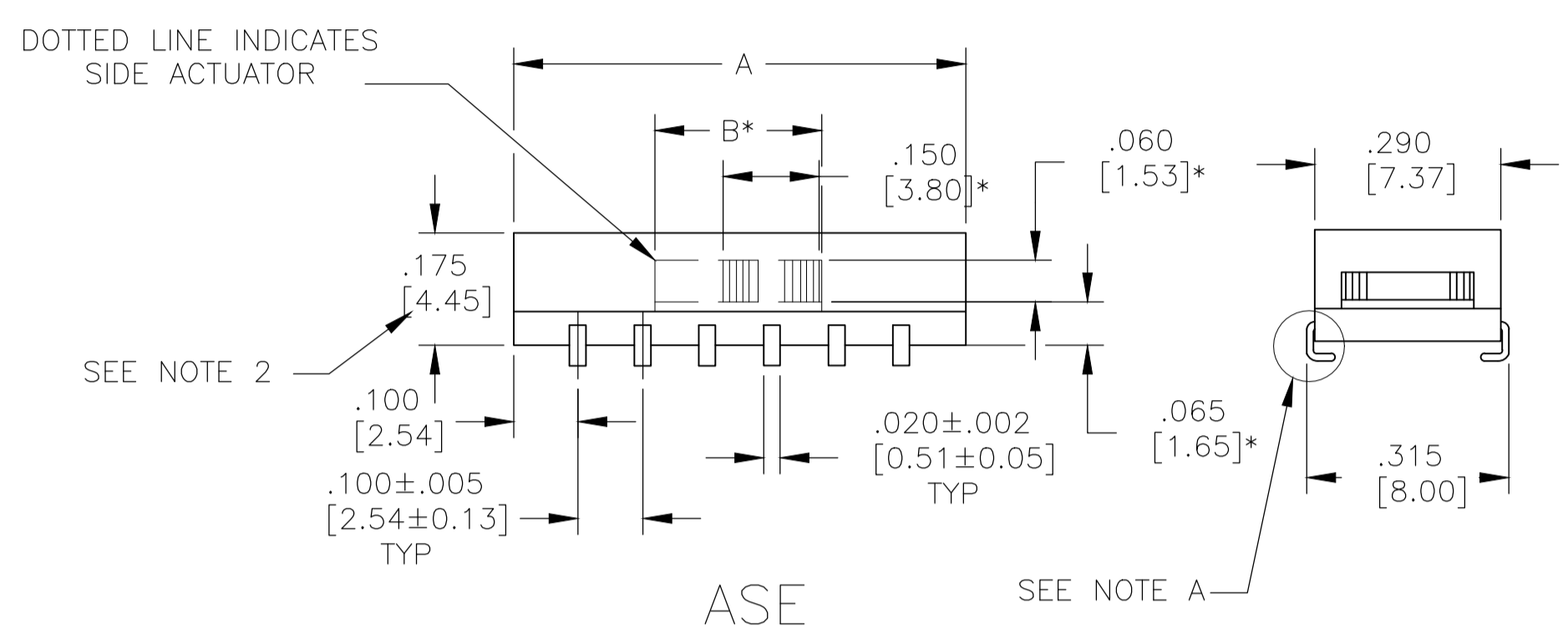


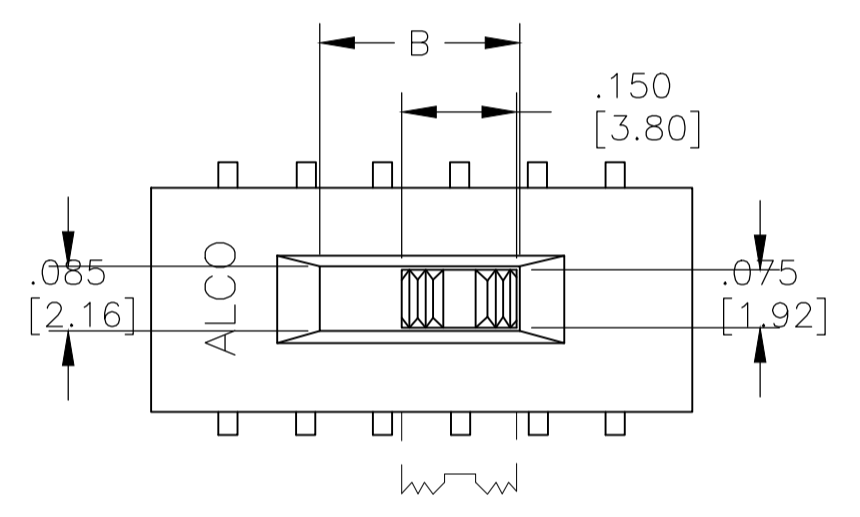
REVISIONS				
P	LTR	DESCRIPTION	DATE	APPV
-	-	SEE SHEET 1	-	-



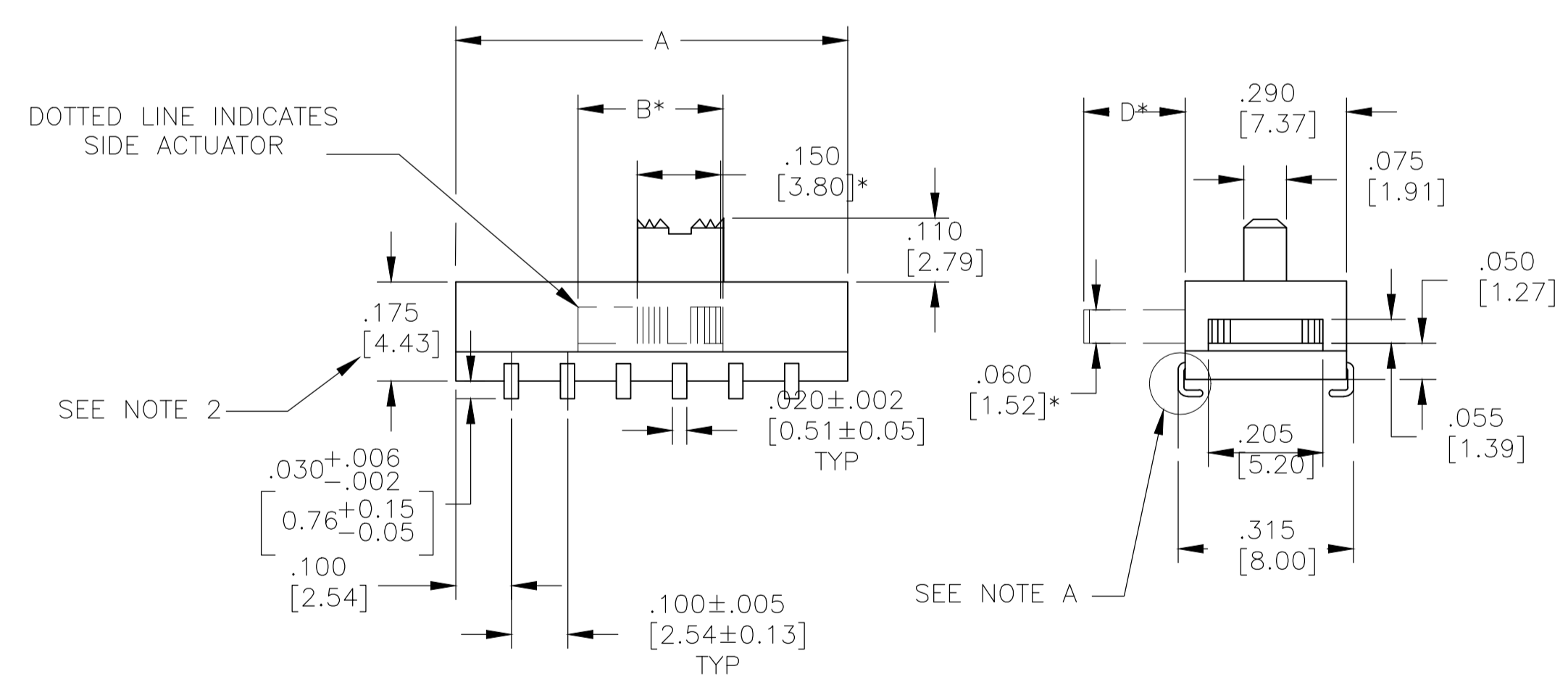
* SIDE ACTUATOR ONLY.



ASE

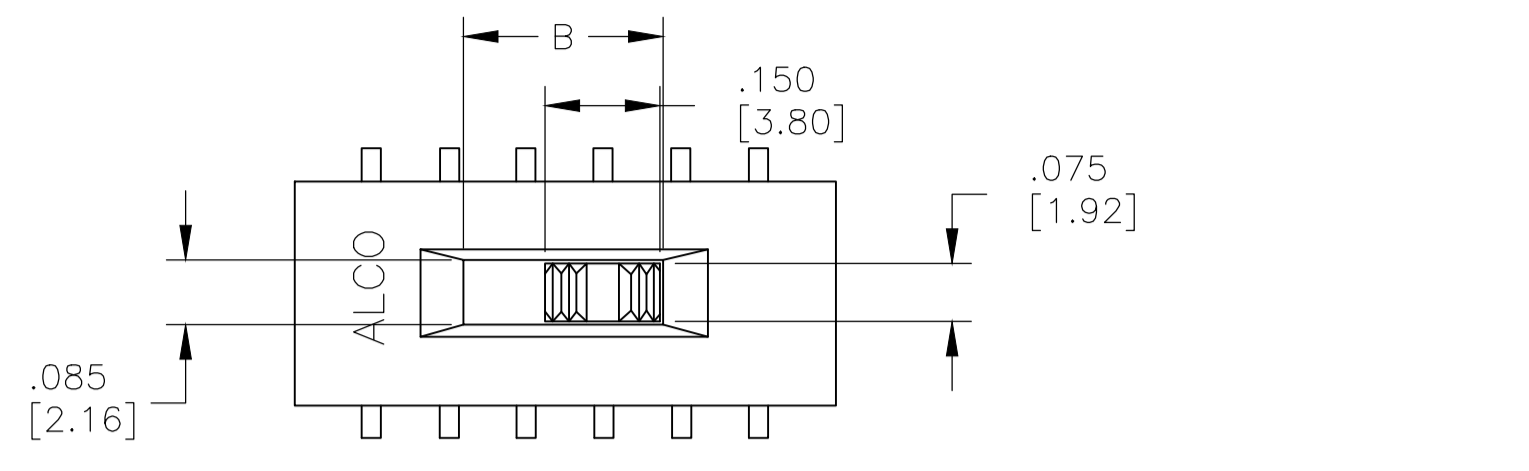


* SIDE ACTUATOR ONLY.

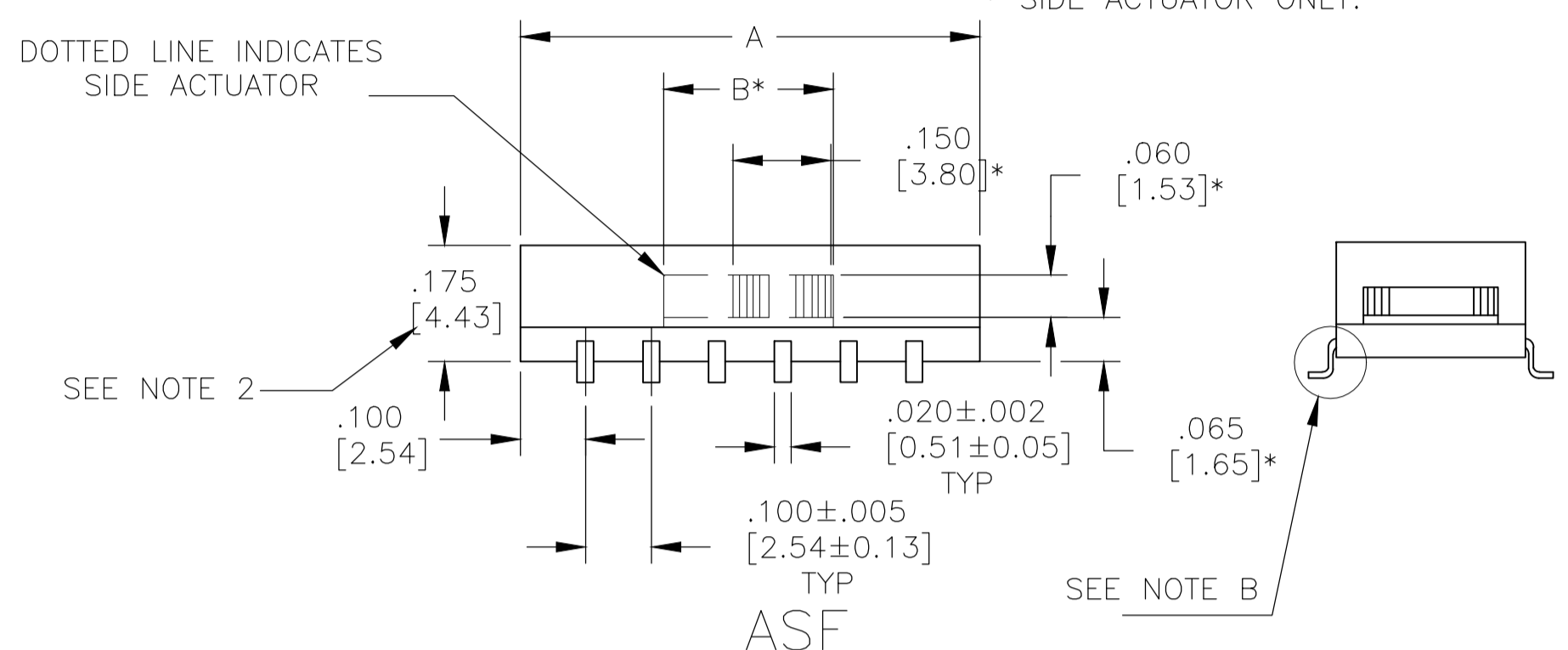


ASE

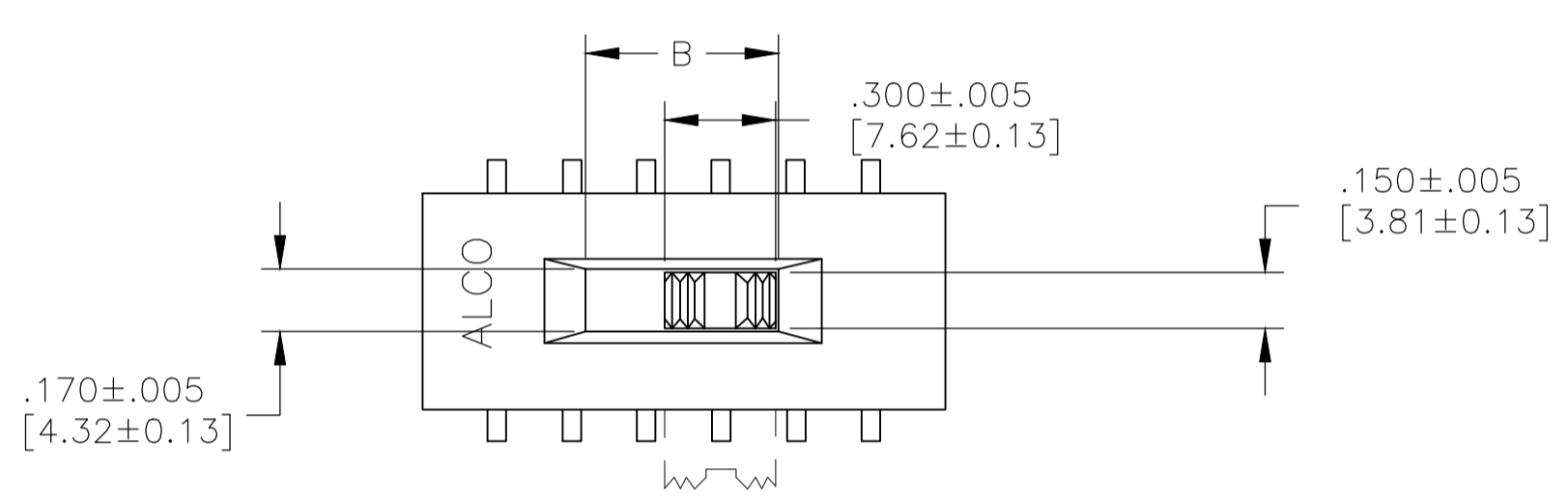
REVERSE "L" TYPE SURFACE MOUNT



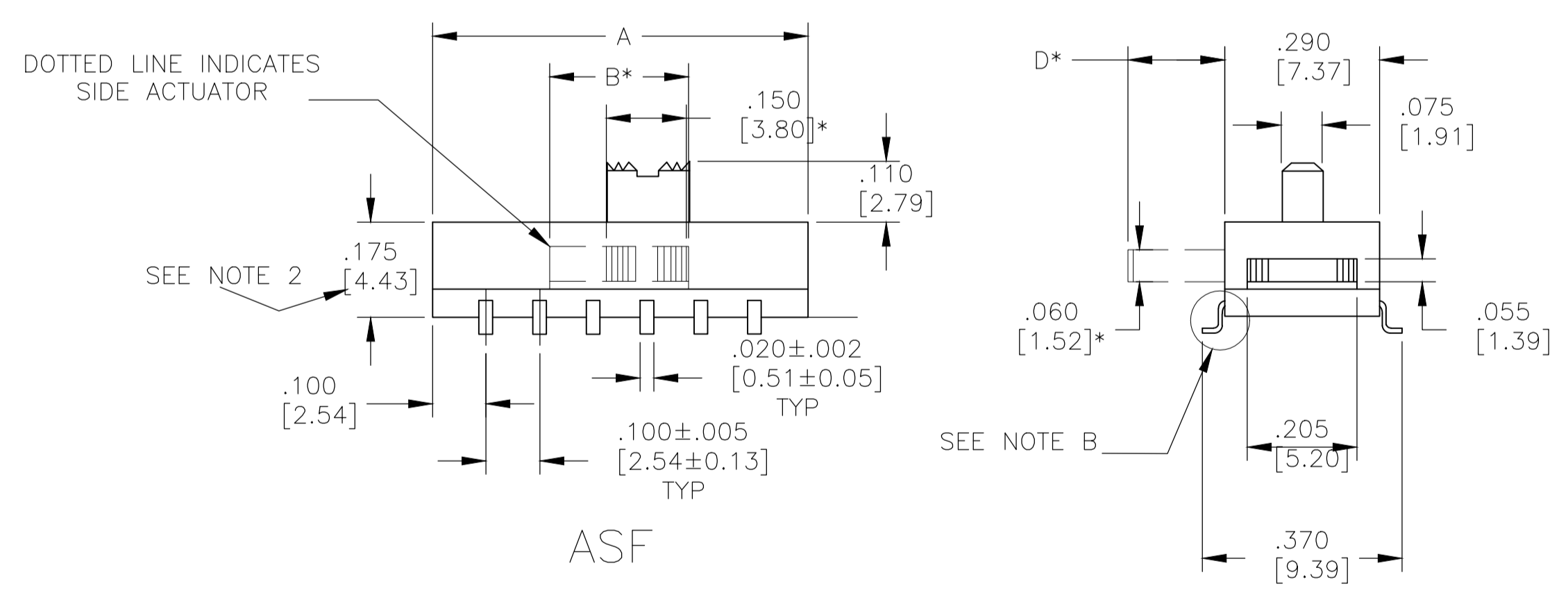
* SIDE ACTUATOR ONLY.



ASF

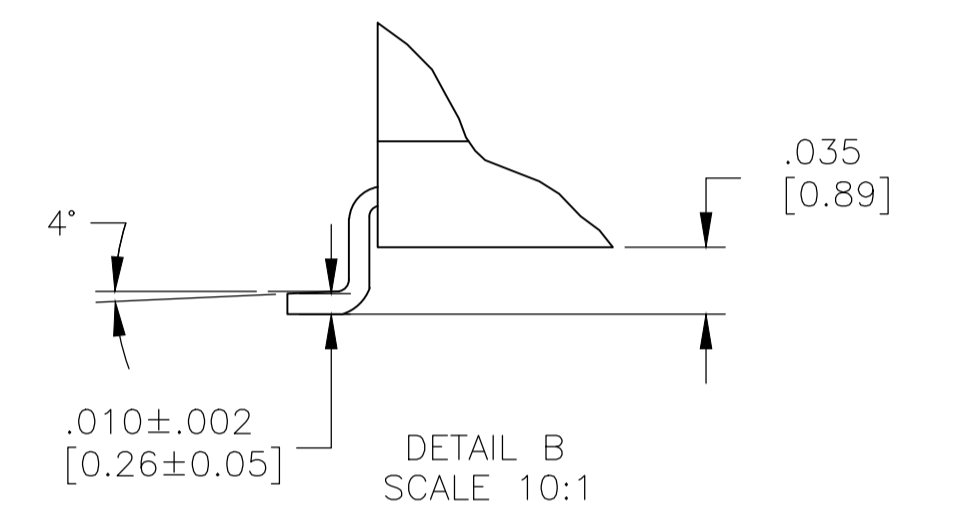
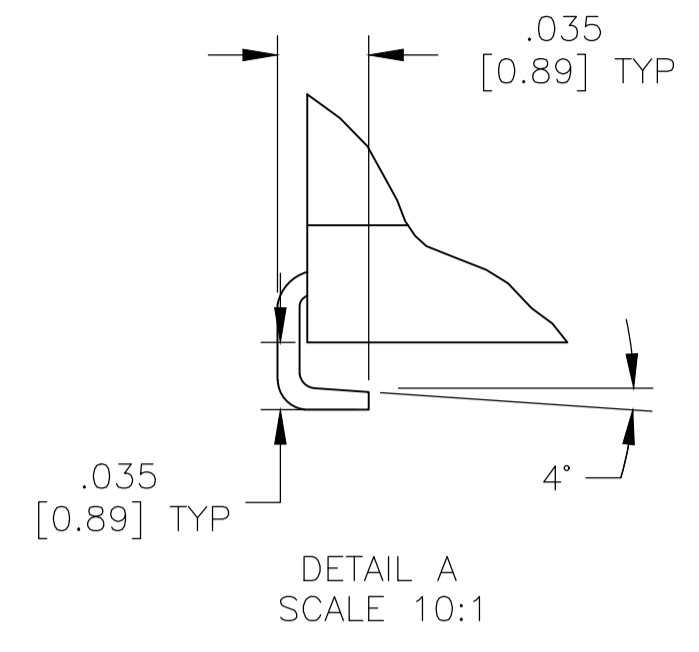


* SIDE ACTUATOR ONLY.



ASF

"L" TYPE SURFACE MOUNT



THIS DRAWING IS A CONTROLLED DOCUMENT.		DIN	M. BINNER	12JAN04	TE Connectivity
DIMENSIONS: INCHES [mm]		CHK	-	-	
TOLERANCES UNLESS OTHERWISE SPECIFIED:		APVD	-	-	NAME
0 PLC	± .01	PRODUCT SPEC	-	-	SLIDE SWITCH ASE/ASF, AUTO-INSERTABLE, THRU-HOLE AND SURFACE MOUNT
1 PLC	± .005	APPLICATION SPEC	-	-	SIZE
2 PLC	± .002	WEIGHT	-	-	A1
3 PLC	± .010(0.25)	CUSTOMER DRAWING	-	-	00779
4 PLC	± .001	SCALE	4:1	SHEET	2 OF 2
ANGLES	± .1°	REV	K3		