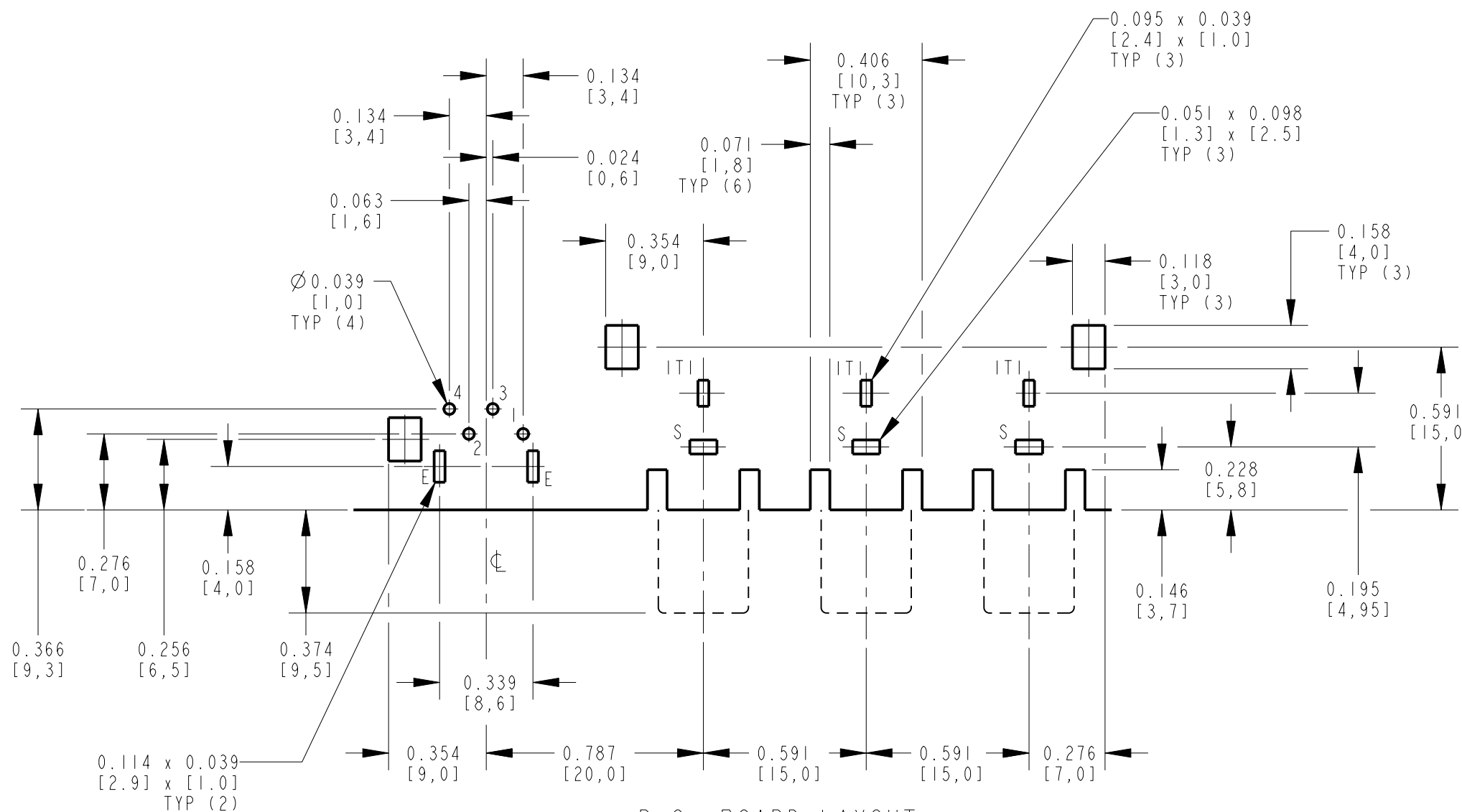


SCHEMATIC

NOTES:

- ALL DIMENSIONS ARE REFERENCE.
- MATERIALS:
 HOUSING & COVER: ABS, UL-94HB
 COLOR INSERT: ABS, UL-94HB
 SHELL & SLEEVE TERMINALS: COPPER ALLOY, NICKEL OR GOLD PLATED
 S-VIDEO GROUND TERMINALS: COPPER ALLOY, NICKEL PLATED
 TIP & S-VIDEO TERMINALS: COPPER ALLOY, TIN PLATED
- THIS PART IS RoHS COMPLIANT

PART NUMBER	INSERT (A) COLOR	INSERT (B) COLOR	INSERT (C) COLOR	SHELL & SLEEVE TERMINAL FINISH
PJRN3XIU02X	RED	WHITE	YELLOW	NICKEL PLATED
PJRN3XIU02AUX	RED	WHITE	YELLOW	GOLD PLATED



P.C. BOARD LAYOUT
COMPONENT SIDE

CUSTOMER DRAWING

★ STAR SYMBOL DENOTES CRITICAL DIMENSION				THIS DRAWING DESCRIBES A DESIGN CONSIDERED PROPRIETARY IN NATURE, DEVELOPED AND MANUFACTURED BY SWITCHCRAFT INC. AND IS RELEASED ON A CONFIDENTIAL BASIS FOR IDENTIFICATION PURPOSES ONLY.			
UNLESS OTHERWISE SPECIFIED		FINISH		MATERIAL		TEMPER	
1. ALL DIMENSIONS IN INCHES		SPEC No.		SPEC No.			
- TWO PLACE DECIMALS ±0.01		FIRST USED ON		SCALE		3:1	
- THREE PLACE DECIMALS ±0.005		DATE DRAWN		BY		CHKD	
- ANGLES ±1°		13-Jan-06		JL		TJK	
- ALL DIA. CONCENTRIC WITHIN 0.005 T.I.R.		1-13-06		1-13-06		APVD	
2. FEATURES ON THE SAME CENTERLINE MUST BE ALIGNED WITHIN ±0.002		NAME		PHONO JACK - RA 3 POS.		PART No. PJRN3XIU02X	
3. REMOVE ALL BURRS		HORIZ. UNSHIELDED W/S-VIDEO, RoHS				REV A	
DO NOT SCALE DRAWING							
REVISIONS							