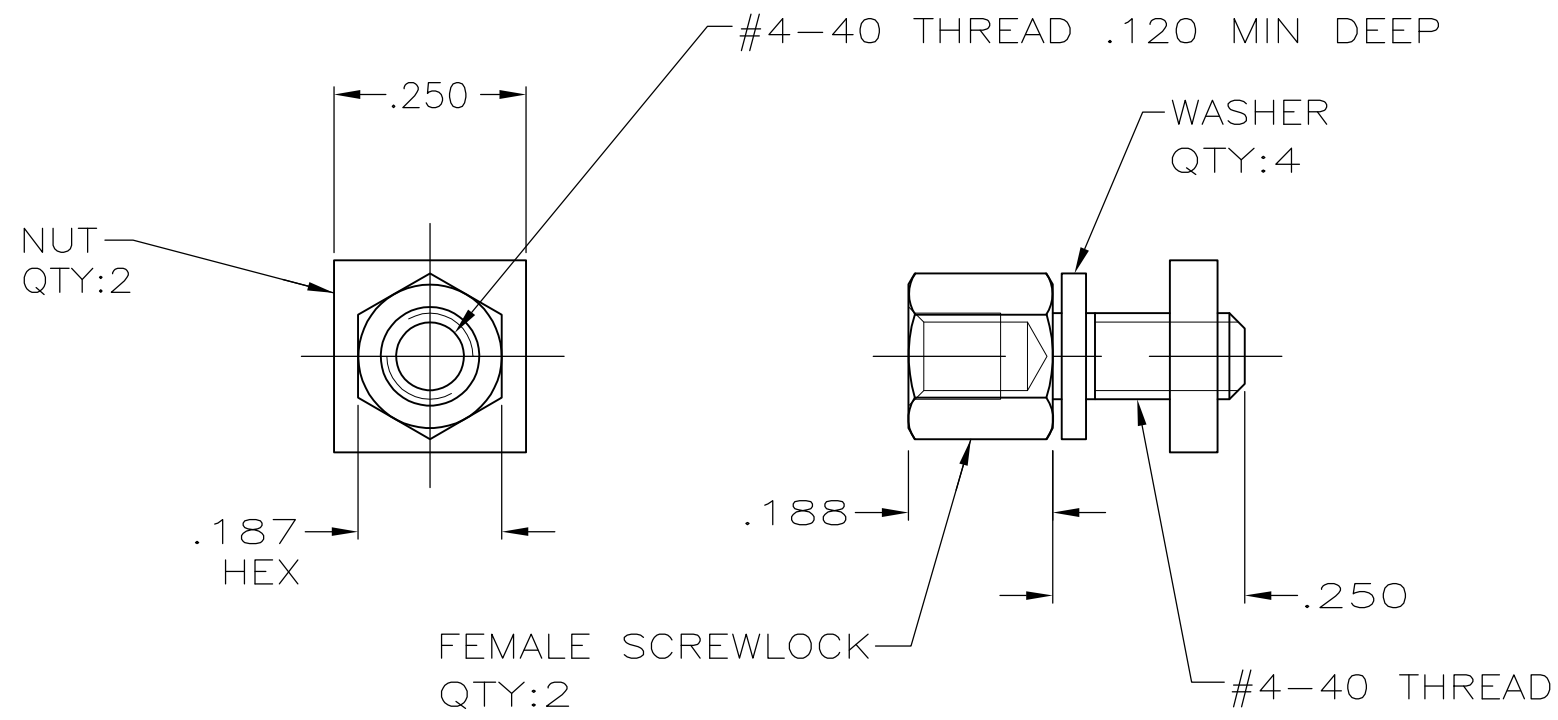


THIS DRAWING IS UNPUBLISHED. RELEASED FOR PUBLICATION
 © COPYRIGHT - By - ALL RIGHTS RESERVED.

LOC	DIST	REVISIONS					
GP	00	P	LTR	DESCRIPTION	DATE	DWN	APVD
		P		REVISED PER ECO-11-004835	11MAR11	RK	HMR



- 1 ZINC PLATED .000200-.000400 THICK, YELLOW CHROMATE COATING.
- 2 ZINC PLATED .000200-.000400 THICK, CLEAR CHROMATE COATING.
- 3. PARTS PACKAGED UNASSEMBLED.
- 4. PARTS PACKAGED AS A UNIT KIT.

2	5207952-3
1	5207952-1
FINISH	PART NUMBER

THIS DRAWING IS A CONTROLLED DOCUMENT.		DWN	S.WAITMAN	28JUN05	TE Connectivity												
DIMENSIONS: INCHES		CHK	C.ROHDE	28JUN05													
TOLERANCES UNLESS OTHERWISE SPECIFIED:		APVD	M.WALMSLEY	28JUN05													
<table border="0"> <tr><td>0 PLC</td><td>± -</td></tr> <tr><td>1 PLC</td><td>± -</td></tr> <tr><td>2 PLC</td><td>± -</td></tr> <tr><td>3 PLC</td><td>± .005</td></tr> <tr><td>4 PLC</td><td>± -</td></tr> <tr><td>ANGLES</td><td>± -</td></tr> </table>		0 PLC	± -	1 PLC				± -	2 PLC	± -	3 PLC	± .005	4 PLC	± -	ANGLES	± -	NAME
0 PLC	± -																
1 PLC	± -																
2 PLC	± -																
3 PLC	± .005																
4 PLC	± -																
ANGLES	± -																
MATERIAL: STEEL		FINISH: SEE TABLE		WEIGHT: -		SIZE	CAGE CODE	DRAWING NO	RESTRICTED TO								
				CUSTOMER DRAWING		A3	00779	C-5207952	-								
						SCALE	SHEET	REV									
						4:1	1 OF 1	P									