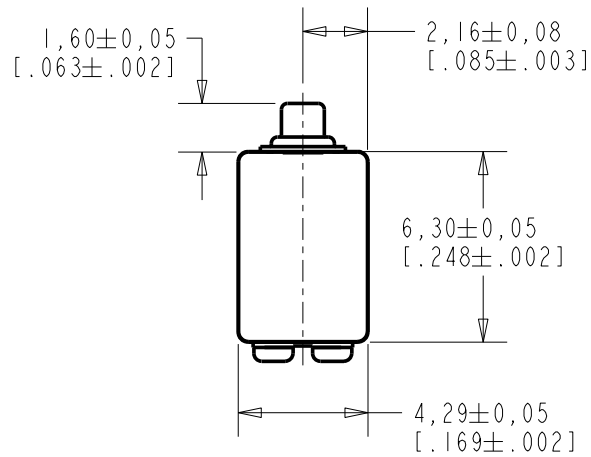


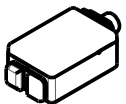
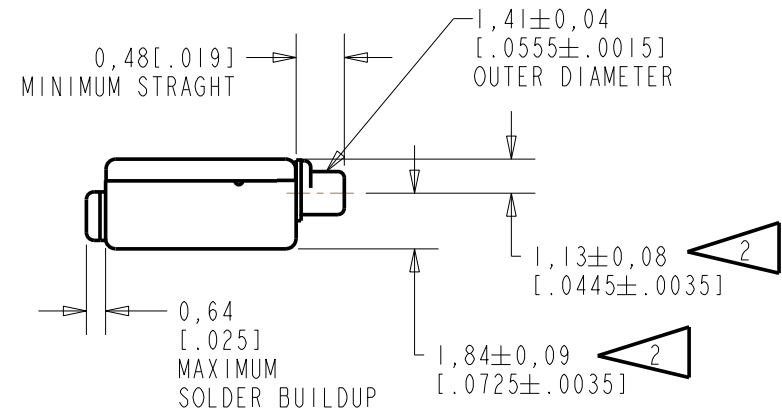
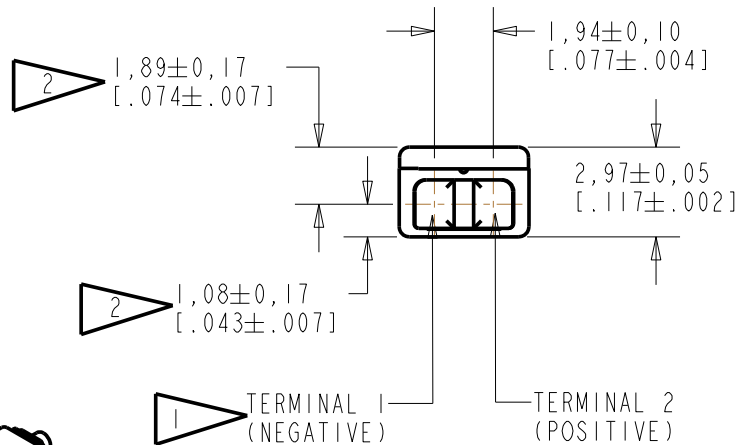
ED-23100-000

SHT 1.1



NOTE:

- 1 A POSITIVE GOING VOLTAGE AT TERMINAL 2, RELATIVE TO TERMINAL 1, CAUSES A DECREASE IN PRESSURE AT THE SOUND OUTLET.
- 2 LOCATED FROM TWO SURFACES FOR CUSTOMER CONVENIENCE. ONLY APPLICABLE FROM ONE SURFACE, NOT TO BE USED TOGETHER. HORIZONTAL LOCATION FOR TERMINAL CENTERED TO  $\pm 0,17$  [.007].



SCALE 2:1

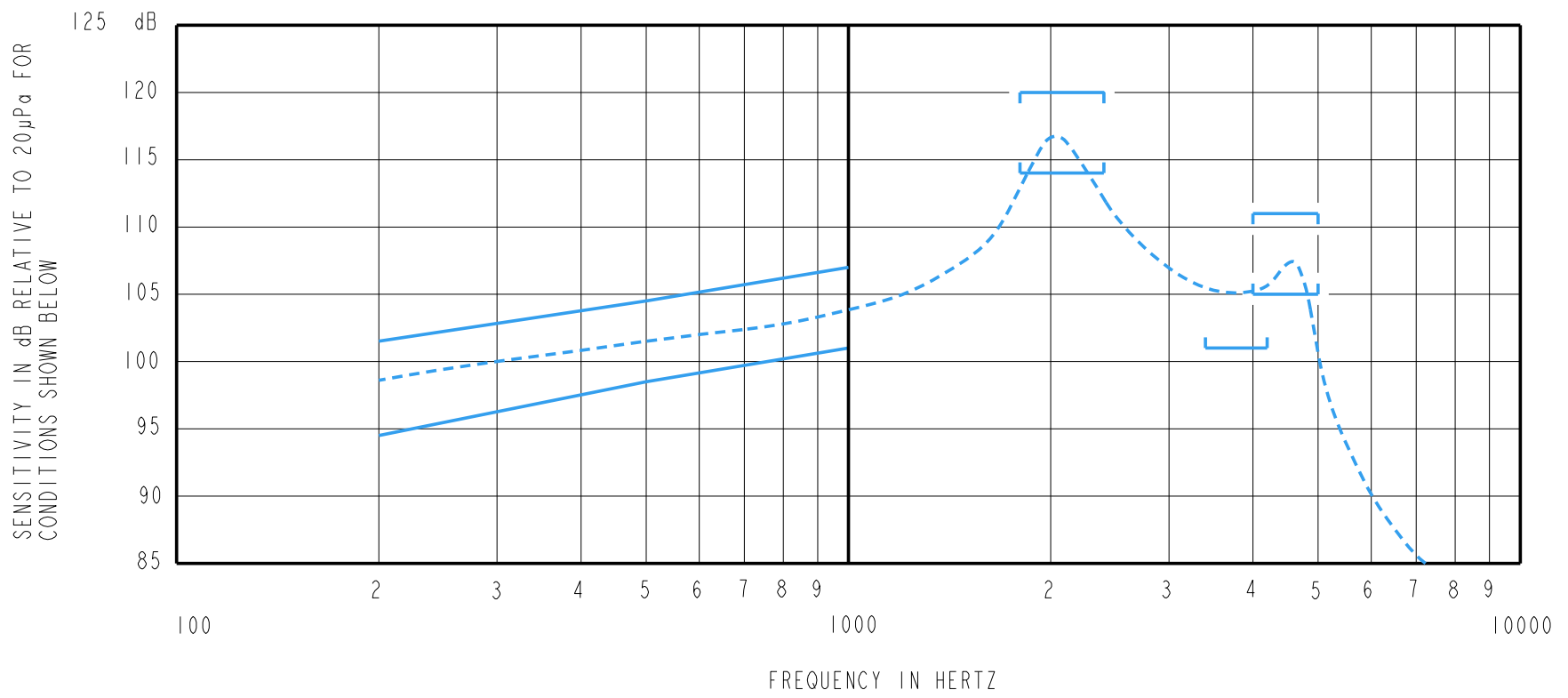
NOMINAL WEIGHT  
.31 GRAM

DIMENSIONS IN MILLIMETERS [INCHES]

| Revision | C.O. #    | Implementation Date | RELEASE LEVEL | REVISION |
|----------|-----------|---------------------|---------------|----------|
| B        | C10107990 | 8-20-08             | Active        | B        |
| A        | C10103522 | 12-27-05            |               |          |

|                      |              |                |
|----------------------|--------------|----------------|
| SCALE: 4:1           | DR. BY: CRG  | DATE: 12-27-05 |
| DO NOT SCALE DRAWING | CK. BY: GJP  | DATE: 12-29-05 |
| TITLE: RECEIVER      | ED-23100-000 | APP. BY: GJP   |
| OUTLINE DRAWING      | SHT 1.1      | DATE: 12-29-05 |

**KNOWLES ELECTRONICS**  
ITASCA, ILLINOIS U.S.A.



NOTES:

1. MEASUREMENTS MADE USING 10mm (.394") X 1mm (.039") ID TUBE CONNECTED TO A SIMULATED ANSI S3.7-1973 TYPE HA-3 COUPLER. (IEC 126).

2.

SENSITIVITY

| FREQUENCY | MIN.  | MAX.  |
|-----------|-------|-------|
| 200       | 94.5  | 101.5 |
| 500       | 98.5  | 104.5 |
| 1000      | 101.0 | 107.0 |
| 1800-2400 | 114.0 | 120.0 |
| 3400-4200 | 101.0 | ---   |
| 4000-5000 | 105.0 | 111.0 |

- RESPONSE, IMPEDANCE, AND DISTORTION MEASUREMENTS MADE USING THE ELECTRICAL TEST CONDITIONS SHOWN BELOW.
- ELECTRICAL SOURCE IMPEDANCE MUST BE GREATER THAN 20 TIMES 1KHz IMPEDANCE FOR TEST CONDITIONS SHOWN BELOW.
- INDIVIDUAL SPECIFICATIONS.

| PORT LOCATION | IMPEDANCE OHMS ±15% |       | DCR @20°C OHMS ±10% | DISTORTION |         | ELECTRICAL TEST CONDITIONS |       |
|---------------|---------------------|-------|---------------------|------------|---------|----------------------------|-------|
|               | 1KHz                | 500Hz |                     | MAX. %     | FREQ Hz | AC mA RMS                  | DC mA |
| 12C           | 6300                | 3400  | 1493                | 5          | 800     | 0.25                       | 0.35  |

| Revision | C.O. #    | Implementation Date | RELEASE LEVEL | REVISION |
|----------|-----------|---------------------|---------------|----------|
| B        | C10107990 | 8-20-08             | Active        | B        |
| A        | C10103522 | 12-27-05            |               |          |

**KNOWLES ELECTRONICS**  
ITASCA, ILLINOIS U.S.A.

WHEN TEST LIMITS ARE USED TO ESTABLISH INCOMING INSPECTION ACCEPTANCE/REJECTION CRITERIA, CORRELATION OF TEST EQUIPMENT WITH KNOWLES IS ALSO REQUIRED FOR ELIMINATION OF EQUIPMENT AND TEST METHOD VARIATION

TITLE: **RECEIVER** ED-23100-000  
PERFORMANCE SPECIFICATION **SHT 2.1**

| DR. BY  | DATE     |
|---------|----------|
| CRG     | 12-27-05 |
| CK. BY  | DATE     |
| GJP     | 12-29-05 |
| APP. BY | DATE     |
| GJP     | 12-29-05 |