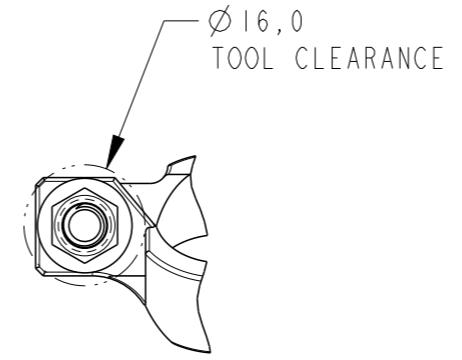
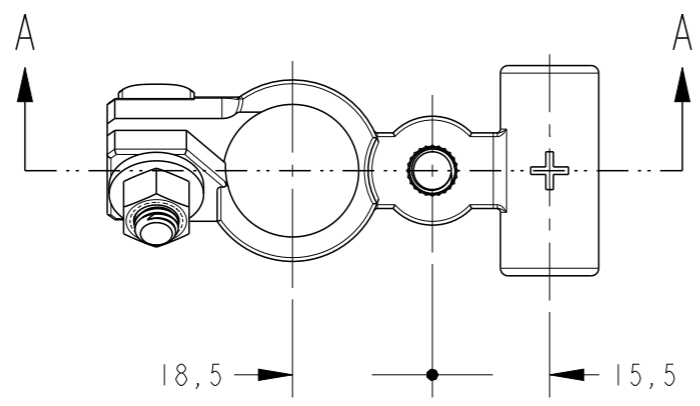
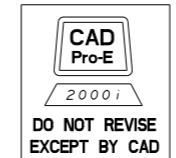
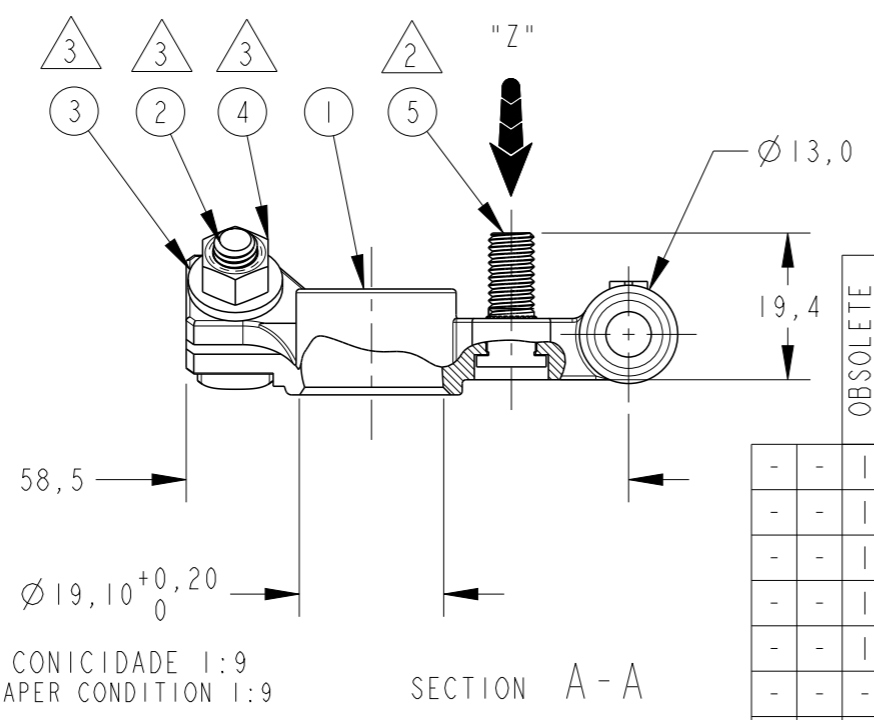
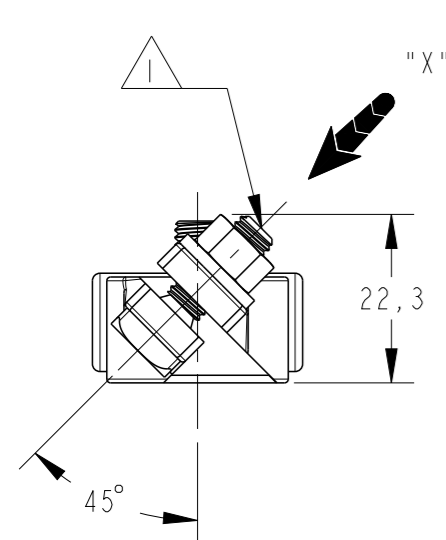


P	LTR	DESCRIPTION	DATE	DWN	APVD
	B1	REVISED PER ECO-20-012442	29OCT2020	AP	DO



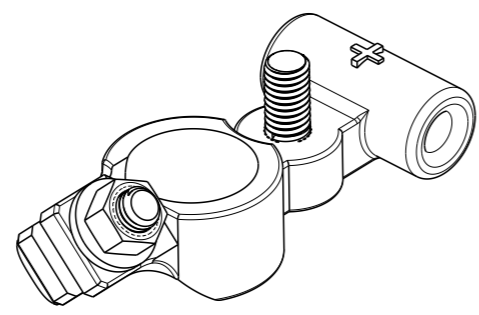
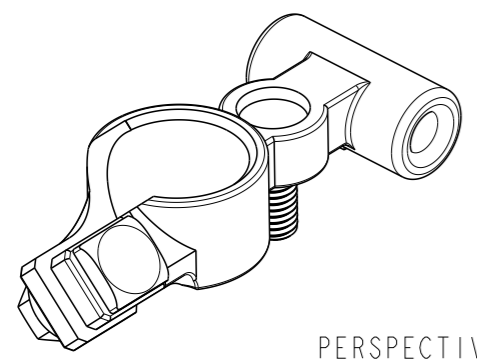
- 1 - A EXTREMIDADE DA ROSCA DO PARAFUSO DEVE SER DEFORMADA APÓS A MONTAGEM DA ARRUELA E DA PORCA PARA EVITAR A PERDA DAS MESMAS
  - 2 - PARAFUSO M6 X 1,0 - 6g, CLASSE 8.8, ZINCADO BICROMATIZADO TRIVALENTE, RESISTENCIA A SALT SPRAY 96 HORAS CONFORME ASTM-B-117. FORÇA DE RETENÇÃO NA DIREÇÃO "Z" = 600 N MIN., COM VELOCIDADE = 1 POL / MIN.
  - 3 - ACABAMENTO ZINCADO BICROMATIZADO TRIVALENTE DESIDROGENIZADO, RESISTENCIA À SALT SPRAY 96 HORAS CONFORME ASTM-B-117.
- 1 - THE END OF SCREW THREAD MUST BE DEFORMED AFTER WASHER AND NUT ASSEMBLY TO AVOID THEIR LOOSENING.
  - 2 - SCREW M6 X 1,0 - 6g, CLASS 8.8, ZINC PLATE TRIVALENT CHROMIUM, SALT SPRAY RESISTANCE 96 HOURS ACCORDING ASTM-B-117. RETENTION FORCE IN "Z" DIRECTION = 600 N MIN AT SPEED = 1 INCH / MIN.
  - 3 - FINISH ZINC PLATE TRIVALENT CHROMIUM DEHYDROGENIZED, SALT SPRAY RESISTANCE 96 HOURS ACCORDING ASTM-B-117.



OBSOLETE

ASS'Y PN	WIRE RANGE (mm <sup>2</sup> )
<del>1599190-3</del>	10+14
1599190-2	16
1599190-1	14

REQ. PER ASSY	ITEM	DESCRIPTION	MATERIAL	FINISH				
-	-	1	1	1	5	SCREW KNURLED	CARBON STEEL	TRIVALENT ZINC CHROMIUM
-	-	1	1	1	4	NUT M6	CARBON STEEL	TRIVALENT ZINC CHROMIUM
-	-	1	1	1	3	WASHER, FLAT, M6	CARBON STEEL	TRIVALENT ZINC CHROMIUM
-	-	1	1	1	2	SCREW M6 X 21, SQUARE HEAD	CARBON STEEL	TRIVALENT ZINC CHROMIUM
-	-	1	-	-	1	BATTERY TERMINAL, POSITIVE	BRASS SAE 41	— / —
-	-	-	1	-	1	BATTERY TERMINAL, POSITIVE	BRASS SAE 41	— / —
-	-	-	-	1	1	BATTERY TERMINAL, POSITIVE	BRASS SAE 41	— / —



PERSPECTIVE VIEWS  
SCALE 1:1

THIS DRAWING IS A CONTROLLED DOCUMENT.

DIMENSIONS: mm

TOLERANCES UNLESS OTHERWISE SPECIFIED:

0 PLC	±
1 PLC	±0,3
2 PLC	±
3 PLC	±
4 PLC	±
ANGLES	±1°

MATERIAL: SEE TABLE material\_2

FINISH: SEE TABLE finish\_spec\_2

DWN: A. PERUSSI 22JUL03

CHK: P. L. FARIA 22JUL03

APVD: F. G. OLIVEIRA 22JUL03

PRODUCT SPEC: 108-37055

APPLICATION SPEC: - / -

WEIGHT: - / -

CUSTOMER DRAWING

NAME: BATTERY TERMINAL ASSEMBLY, POSITIVE

SIZE: A3

CAGE CODE: 00779

DRAWING NO: 1599190

RESTRICTED TO:

SCALE: 1:1

SHEET: 1 OF 1

REV: B1