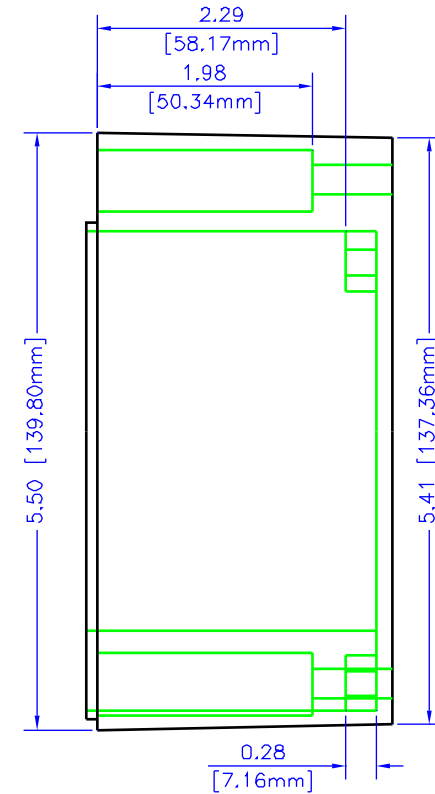
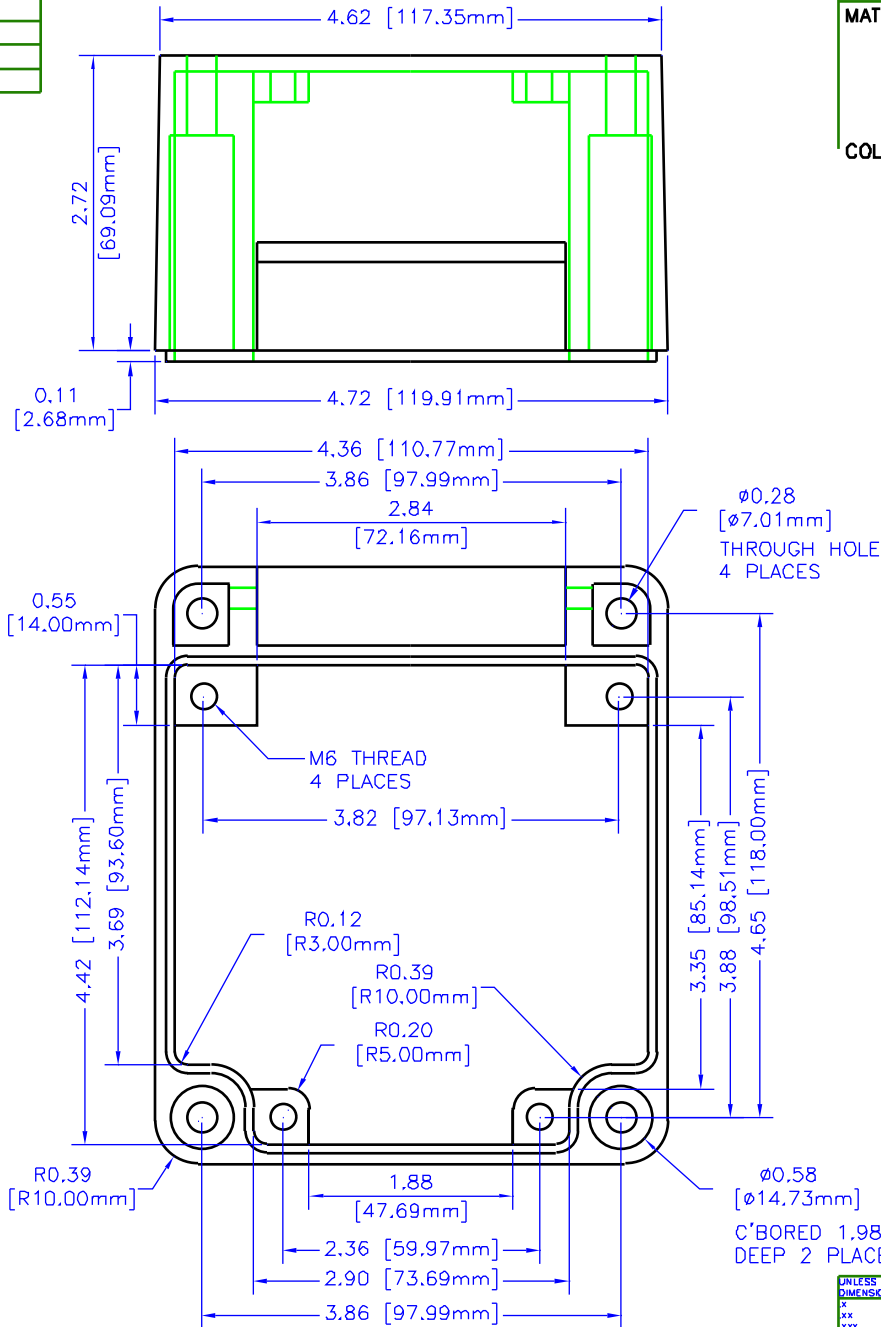


REV	DESCRIPTION	DATE



## NOTES

**MATERIAL** TWO PIECE MOLDED FIBERGLASS REINFORCED POLYESTER CONSTRUCTION, COMES WITH HINGED COVER WINDOW, RECESSED NEOPRENE GASKET WITH TONGUE AND GROVE CONSTRUCTION, THREADED STAINLESS STEEL INSERTS PROVIDED FOR INTERNAL MOUNTING.

**COLORS** LIGHT GRAY (RAL 7032)

BOX VIEW

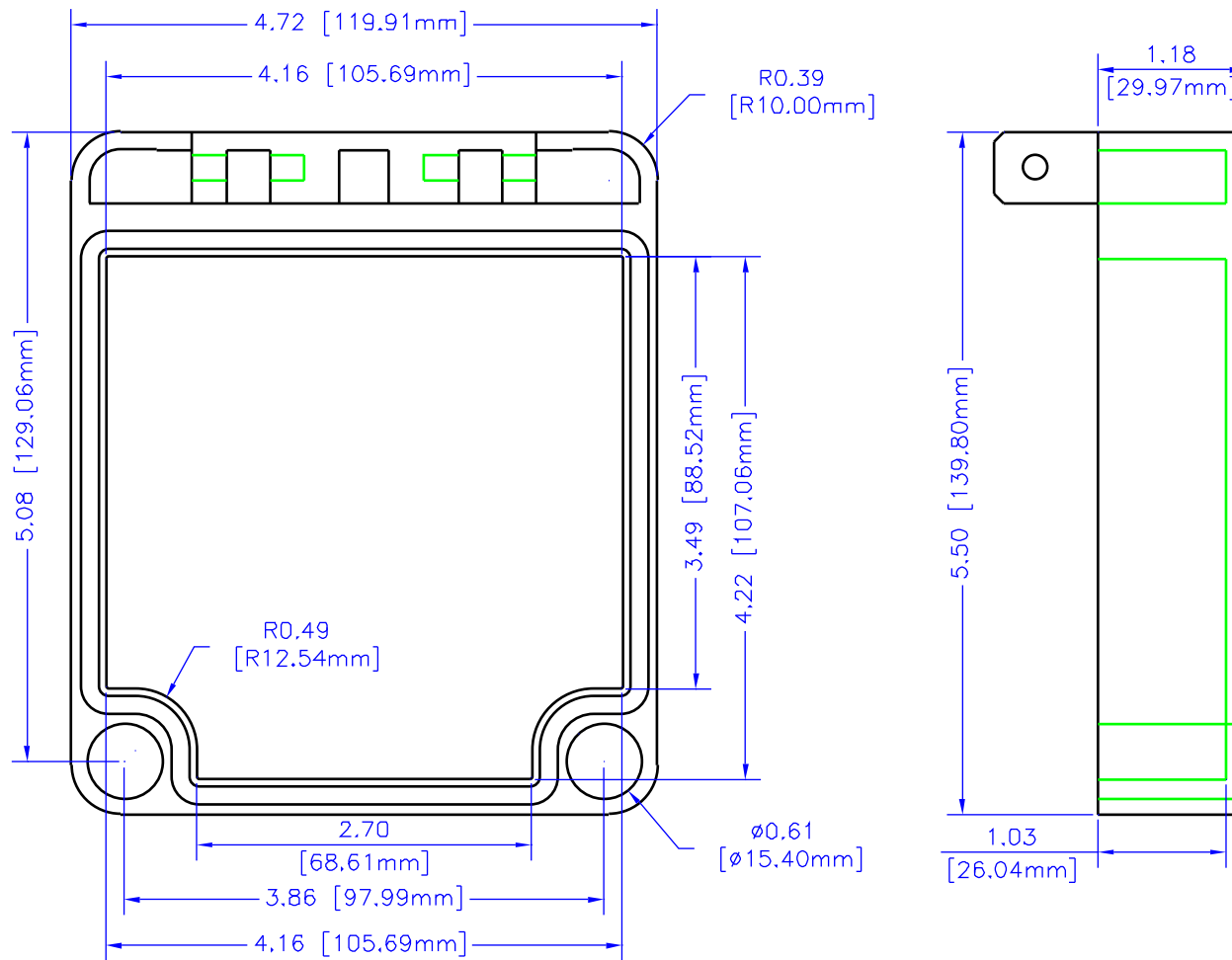
UNLESS OTHERWISE SPECIFIED  
DIMENSIONS ARE IN INCHES  
X +/- .1  
XX +/- .02  
XXX +/- .015  
ZIPS +/- .000  
ANGLES +/- .5 DEG  
NOTICE  
HARDWARE CLEARANCE RIGHTS TO THE MATERIAL ON THIS DRAWING IS INTENDED TO BE USED AS A REFERENCE FOR ENGINEERING INFORMATION ONLY THIS INFORMATION MAY NOT BE USED TO MANUFACTURE PRODUCT WITHOUT WRITTEN PERMISSION FROM HAMMOND MANUFACTURING.



**HAMMOND  
MANUFACTURING**

WEB: [WWW.HAMMONDMFG.COM](http://WWW.HAMMONDMFG.COM)

TITLE	
HAMMOND R130 SERIES POLYESTER ENCLOSURE	
DRAWN BY	MJM
DATE	12/08/01
SCALE	PAGE 1 OF 2
PART NUMBER	R130-120-000



LID VIEW

UNLESS OTHERWISE SPECIFIED  
DIMENSIONS ARE IN INCHES

x	+/- .1
xx	+/- .05
xxx	+/- .015
CLTS	+/- .005
ANGLES	+/- .5 DEG

NOTES:  
HAMMOND CLAIMS PROPRIETARY RIGHTS TO THE MARKING ON THIS DRAWING. IT IS INTENDED TO BE USED AS A REFERENCE FOR IDENTIFICATION PURPOSES ONLY. THIS INFORMATION MAY NOT BE USED TO MANUFACTURE PRODUCTS WITHOUT WRITTEN PERMISSION FROM HAMMOND MANUFACTURING.



**HAMMOND  
MANUFACTURING**

WEB: [WWW.HAMMONDMFG.COM](http://WWW.HAMMONDMFG.COM)

TITLE	
HAMMOND R130 SERIES POLYESTER ENCLOSURE	
DRAWN BY	DATE
MJM	12/08/01
SCALE	PAGE
	2 OF 2
PART NUMBER	
R130-120-000	