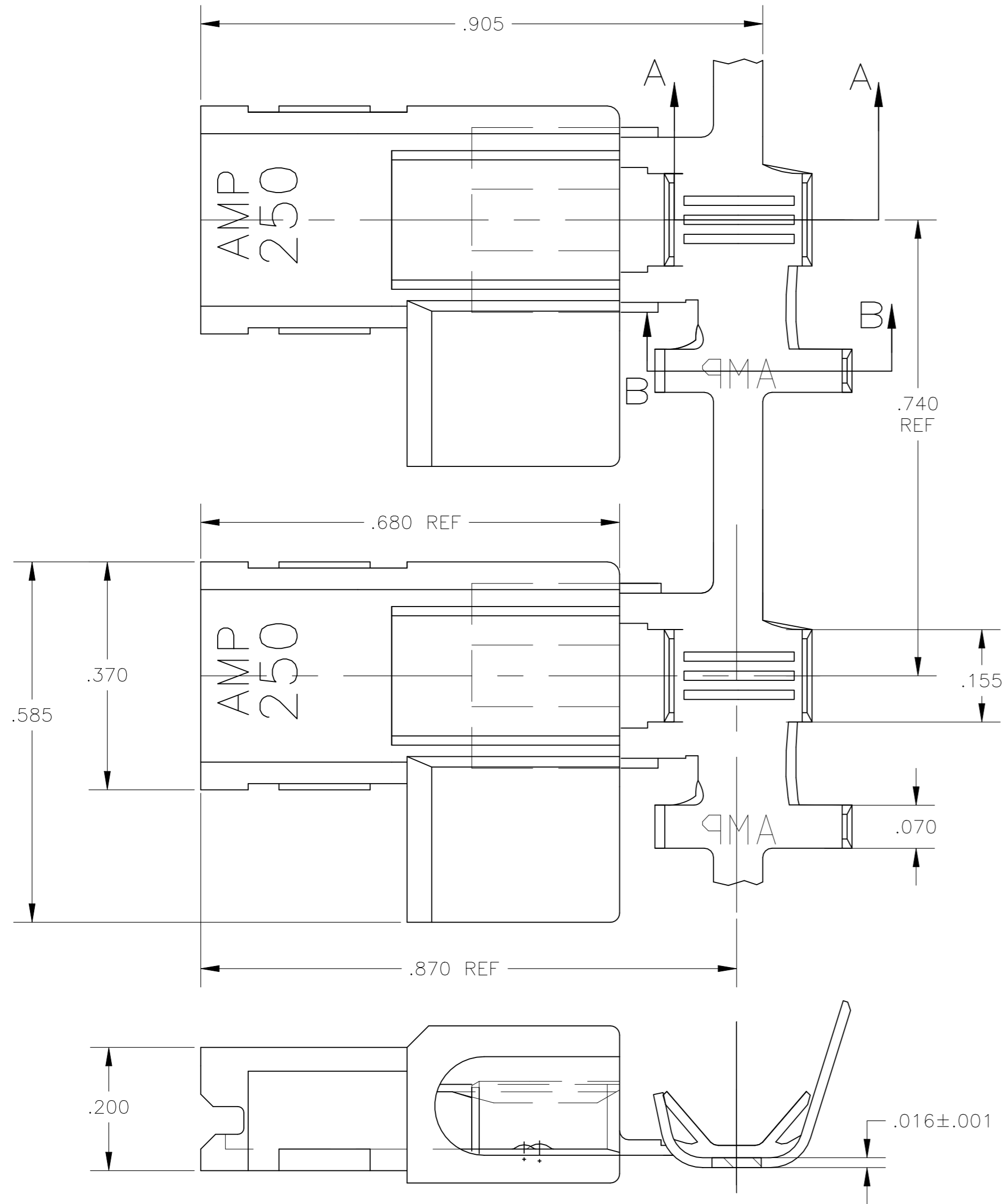
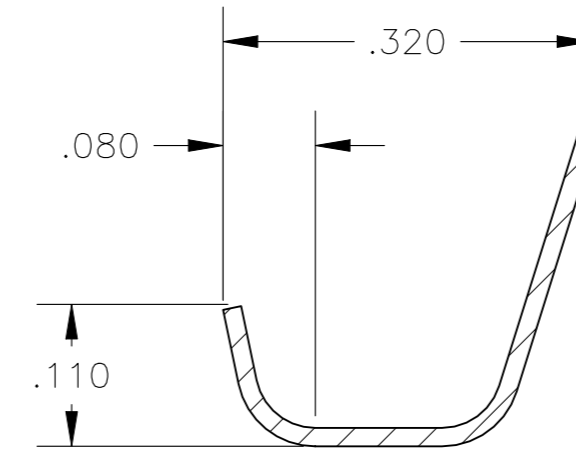


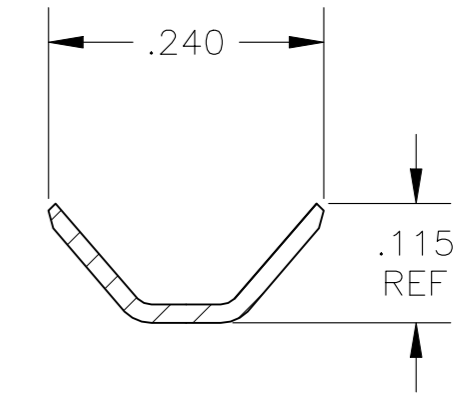
REVISIONS					
P	LTR	DESCRIPTION	DATE	DWN	APVD
G3		REVISED PER ECR-22-139600	29NOV2022	DB	FF



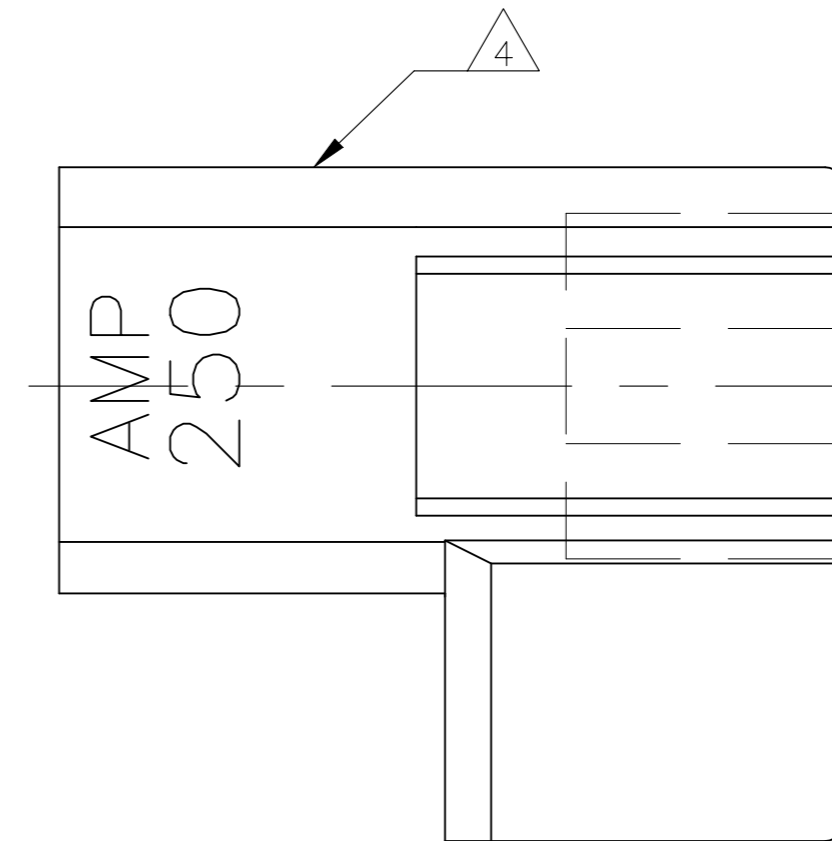
- 2 INSULATION RANGE TO BE .110-.160 OR TWO AT .110 MAX DIA.
- 3 WIRE SIZE IS [#18-#14 OR TWO #20'S OR TWO #18'S].
- △ ALTERNATE HOUSING FORM
- 5 FITS .250x.032 THICK FASTON TAB.



SECTION B-B



SECTION A-A



SUPERSEDED BY 521633-2

6/6 NYLON, VO / NATURAL		BRASS / TIN PLATED		521633-2																																
6/6 NYLON, VO / NATURAL		BRASS / PLAIN		521633-1																																
HOUSING MATERIAL / COLOR		TERMINAL MATERIAL / FINISH		PART NO																																
THIS DRAWING IS A CONTROLLED DOCUMENT.			<table border="1"> <tr> <td>DWN</td> <td>JR RUTH</td> <td>08MAY03</td> </tr> <tr> <td>CHK</td> <td>J HUMMEL</td> <td>08MAY03</td> </tr> <tr> <td>APVD</td> <td>J HUMMEL</td> <td>08MAY03</td> </tr> </table>			DWN	JR RUTH	08MAY03	CHK	J HUMMEL	08MAY03	APVD	J HUMMEL	08MAY03																						
DWN	JR RUTH	08MAY03																																		
CHK	J HUMMEL	08MAY03																																		
APVD	J HUMMEL	08MAY03																																		
<table border="1"> <tr> <th>DIMENSIONS:</th> <th>TOLERANCES UNLESS OTHERWISE SPECIFIED:</th> </tr> <tr> <td>INCHES</td> <td></td> </tr> <tr> <td>0 PLC</td> <td>± -</td> </tr> <tr> <td>1 PLC</td> <td>± -</td> </tr> <tr> <td>2 PLC</td> <td>± -</td> </tr> <tr> <td>3 PLC</td> <td>± .010</td> </tr> <tr> <td>4 PLC</td> <td>± -</td> </tr> <tr> <td>ANGLES</td> <td>± -</td> </tr> </table>		DIMENSIONS:	TOLERANCES UNLESS OTHERWISE SPECIFIED:	INCHES		0 PLC	± -	1 PLC	± -	2 PLC	± -	3 PLC	± .010	4 PLC	± -	ANGLES	± -	<table border="1"> <tr> <td>PRODUCT SPEC</td> <td>108-1285</td> </tr> <tr> <td>APPLICATION SPEC</td> <td>114-2124</td> </tr> <tr> <td>WEIGHT</td> <td>0.000000</td> </tr> </table>		PRODUCT SPEC	108-1285	APPLICATION SPEC	114-2124	WEIGHT	0.000000	<table border="1"> <tr> <td>NAME</td> <td colspan="2">ASSEMBLY, RECEPTACLE, FLAG, ULTRA-POD, .250 SERIES</td> </tr> <tr> <td>SIZE</td> <td>CAGE CODE</td> <td>DRAWING NO</td> </tr> <tr> <td>A2</td> <td>00779</td> <td>C=521633</td> </tr> </table>		NAME	ASSEMBLY, RECEPTACLE, FLAG, ULTRA-POD, .250 SERIES		SIZE	CAGE CODE	DRAWING NO	A2	00779	C=521633
DIMENSIONS:	TOLERANCES UNLESS OTHERWISE SPECIFIED:																																			
INCHES																																				
0 PLC	± -																																			
1 PLC	± -																																			
2 PLC	± -																																			
3 PLC	± .010																																			
4 PLC	± -																																			
ANGLES	± -																																			
PRODUCT SPEC	108-1285																																			
APPLICATION SPEC	114-2124																																			
WEIGHT	0.000000																																			
NAME	ASSEMBLY, RECEPTACLE, FLAG, ULTRA-POD, .250 SERIES																																			
SIZE	CAGE CODE	DRAWING NO																																		
A2	00779	C=521633																																		
MATERIAL SEE TABLE		FINISH SEE TABLE		CUSTOMER DRAWING																																
		SCALE 6:1		SHEET 1 OF 1																																
				REV G3																																