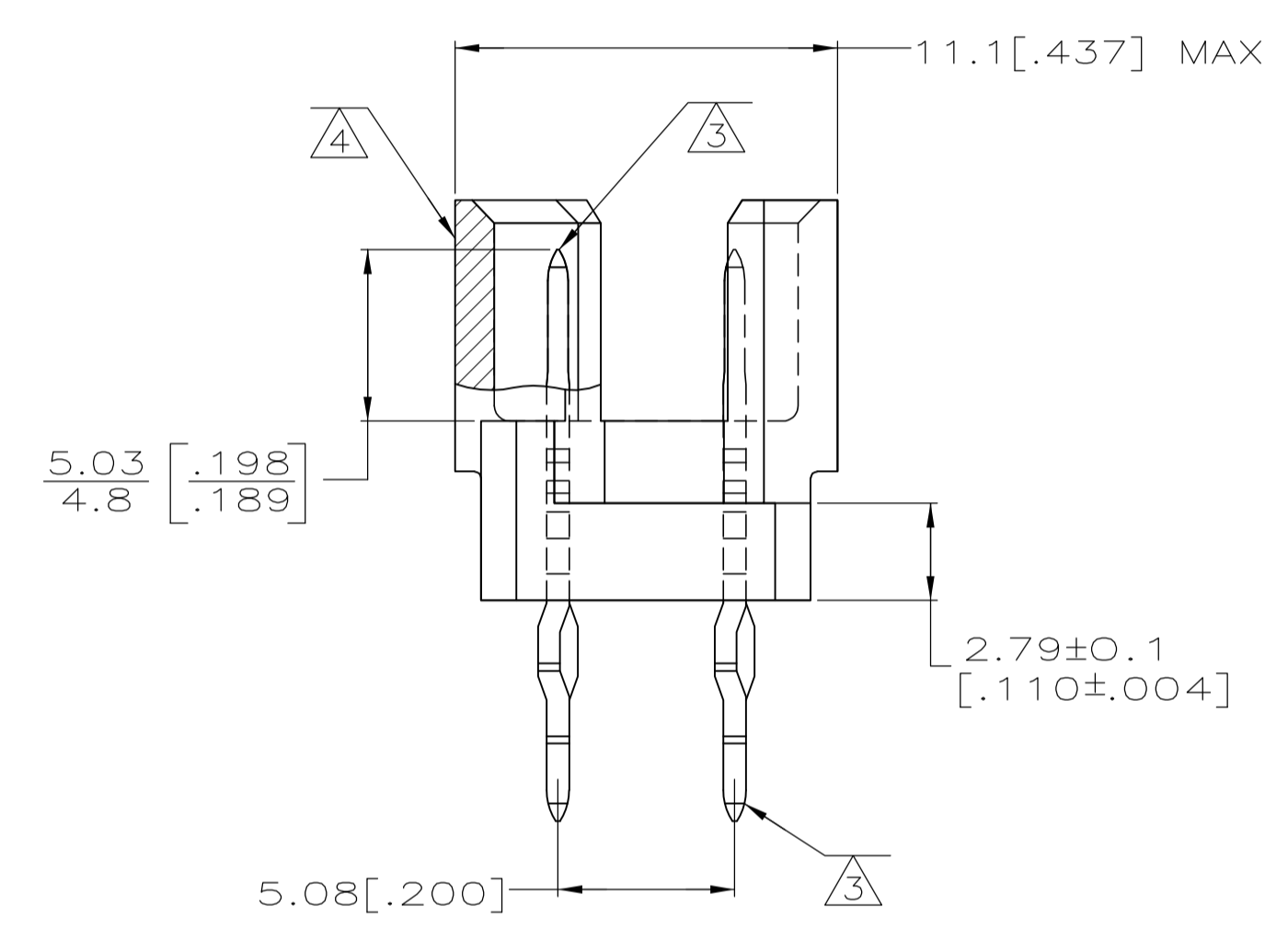


- ① HOUSING MATERIAL: GLASS-FILLED POLYMER.
- ② POST MATERIAL: COPPER ALLOY.
- ③ POST FINISH: DIN 41612 CLASS 2 IN CONTACT AREA. TIN PLATE ON POSTS.
- ④ MARKING ON THIS SIDE.
- ⑤ ACTION PIN POSTS REQUIRE 2.36[.093] MINIMUM THICK PC BOARD. RECOMMENDED PC BOARD HOLES ARE 1.151[.0453] DIA PLATED THROUGH WITH 0.02-0.08[.001-.003] COPPER AND 0.008[.0003] MINIMUM TIN-LEAD PLATING. FINISHED HOLE AFTER PLATING, 0.94-1.09[.037-.043] DIA.
- ⑥ [PART NUMBER, DATE CODE] MARKED THIS APPROXIMATE AREA.



PC BOARD LAYOUT

1-32	X	-	X	64	5650912-5
POSITIONS LOADED	C	B	A	NO. OF LOADED POSITION	ASSY PART NUMBER

THIS DRAWING IS A CONTROLLED DOCUMENT.		DIN J. POLIGNONE		Tyco Electronics Corporation	
DIMENSIONS: mm [INCHES]		OSMAYOS		Harrisburg, Pa 17105-3608	
TOLERANCES UNLESS OTHERWISE SPECIFIED:		OSMAYOS		NAME	
0 PLC	± -	A. SHARPE		ASSEMBLY, PIN, EUROCARD, TYPE R.	
1 PLC	± -	OSMAYOS		A and C, 64/96 POSITION	
2 PLC	± 0.13[.005]	A. SHARPE		6.35[.250] PRESS-FIT POSTS	
3 PLC	± -	OSMAYOS		APPLICATION SPEC	
4 PLC	± -	OSMAYOS		SIZE	
ANGLES	± -	OSMAYOS		CAGE CODE	
MATERIAL	FINISH	OSMAYOS		DRAWING NO	
		OSMAYOS		A1 00779	
		OSMAYOS		C=5650912	
		OSMAYOS		RESTRICTED TO	
		OSMAYOS		WEIGHT	
		OSMAYOS		CUSTOMER DRAWING	
		OSMAYOS		SCALE 5:1	
		OSMAYOS		SHEET 1 OF 1	
		OSMAYOS		REV 01	