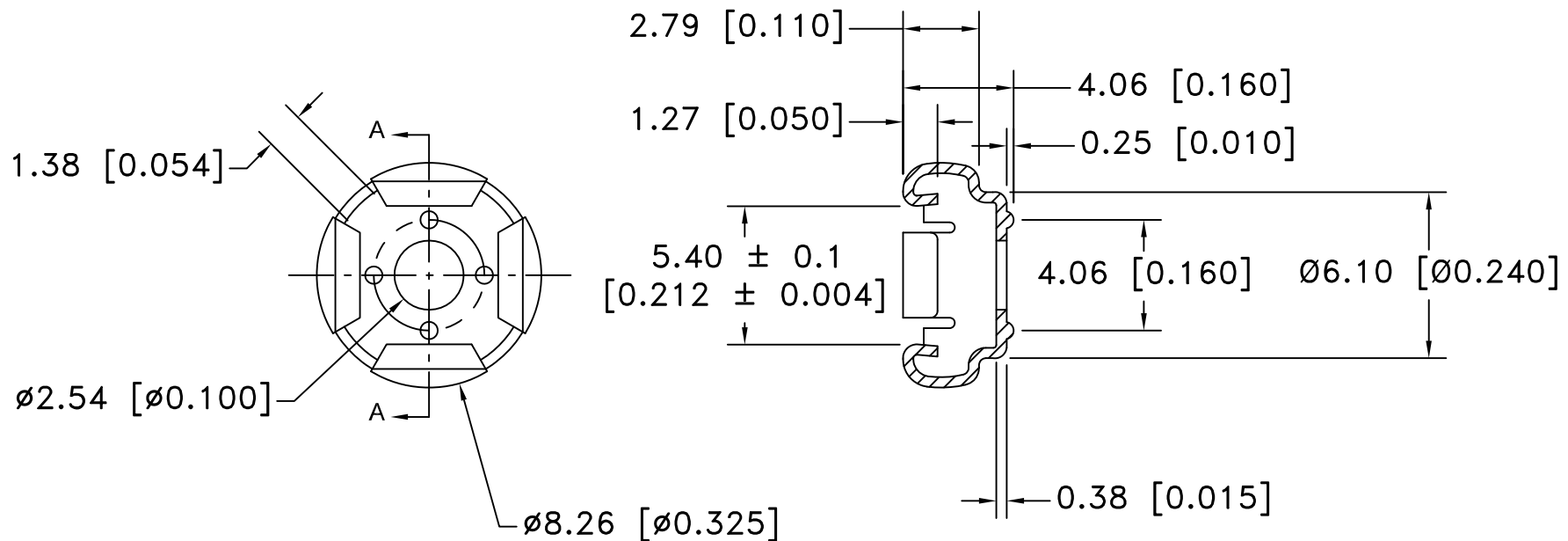



Date	SYM	REVISION RECORD	AUTH	DR.	CK.
3/11/06	A	DIM. 5.40 WAS 5.25	T.B.	B.S.	
4/15/06	B	ADDED "ROHS COMPLIANT"	T.B.	B.S.	
7/11/14	C	UPDATED TO ROHS 2 COMPLIANT	T.B.	B.S.	



NOTES:

MATERIAL: PHOSPHOR BRONZE, NICKEL PLTD.
ROHS 2 COMPLIANT

Tolerance (Except as noted)	 Memory Protection Devices, Inc 200 Broad Hollow Road, Farmingdale, New York 11735		
decimal ±.5 (.020)		Scale	Drawn By B.S.
Fractional ± .8 (.030)	Title BATTERY SNAP FEMALE, HEAVY DUTY		
Angular ± 3°	Date 7/11/14	Drawing Number BSF-HD	
			Approved By T.B.