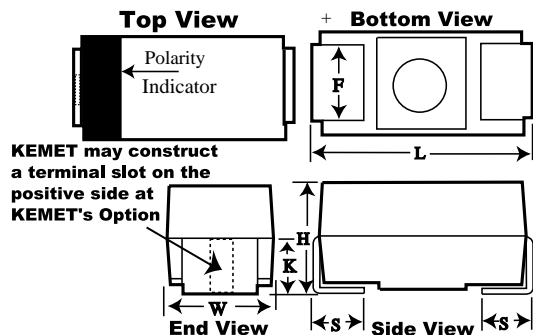


B45196H, Tantalum, MnO2 Tantalum, 2.2 uF, 10%, 16 V, SMD, Molded, 3216, Height Max = 1.8mm



| General Information | |
|---------------------|--|
| Supplier: | KEMET |
| Series: | B45196H |
| Dielectric: | MnO2 Tantalum |
| Style: | SMD Chip |
| Description: | SMD, Molded |
| RoHS: | Yes |
| Termination: | Tin |
| Notes: | Obsolete. Old Part Number [Obsolete] Was B45196H3225K106 |

| Dimensions | |
|------------|----------------|
| Footprint | 3216 |
| L | 3.2mm +/-0.2mm |
| W | 1.6mm +/-0.2mm |
| H | 1.6mm +/-0.2mm |
| S | 0.8mm +/-0.3mm |
| F | 1.2mm +/-0.1mm |
| K | 1.3mm TYP |

| Specifications | |
|------------------------|--------------------------------|
| Capacitance: | 2.2 uF |
| Capacitance Tolerance: | 10% |
| Voltage DC: | 16 VDC (85C), 10.72 VDC (125C) |
| Temperature Range: | -55/+125C |
| Rated Temperature: | 85C |
| Dissipation Factor: | 6% |
| Failure Rate: | N/A |
| Leakage Current: | 0.5 uA |

| Packaging Specifications | |
|--------------------------|------------|
| Packaging: | T&R, 330mm |
| Packaging Quantity: | 9000 |