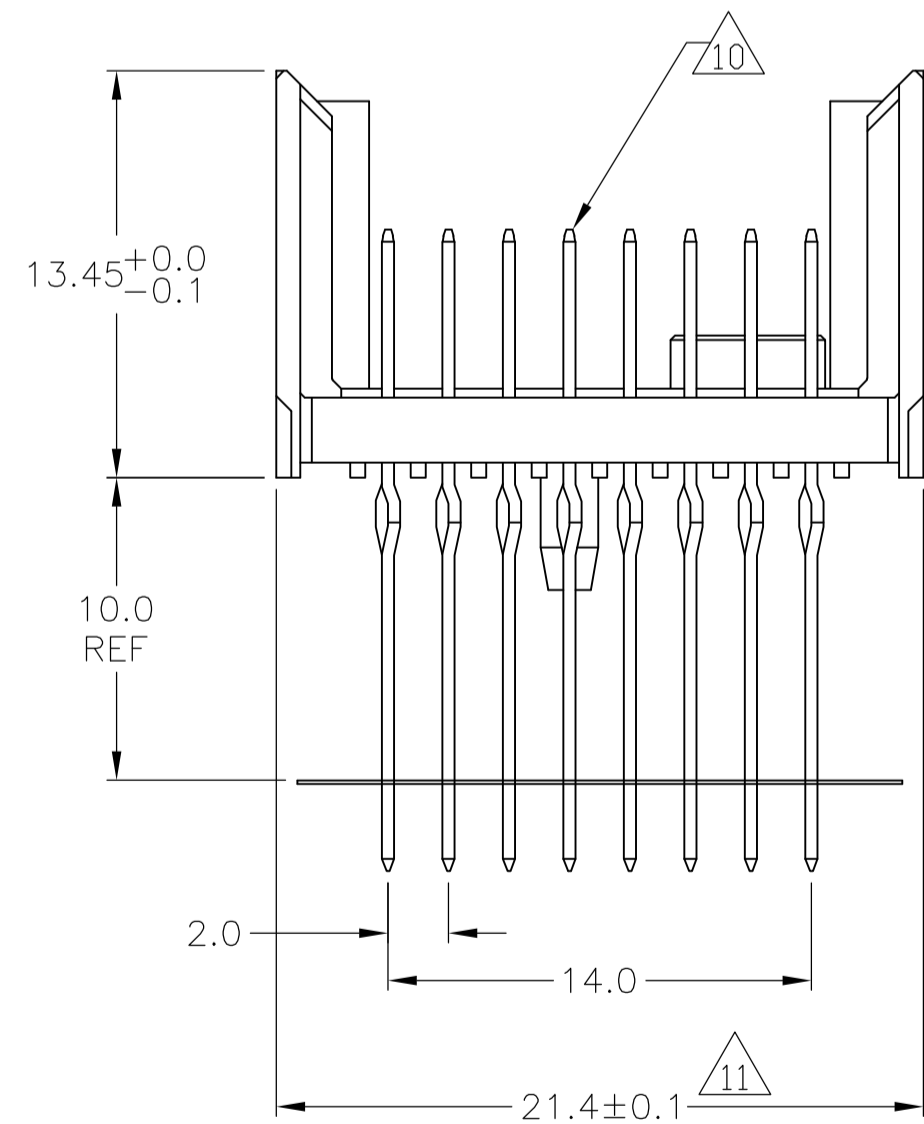
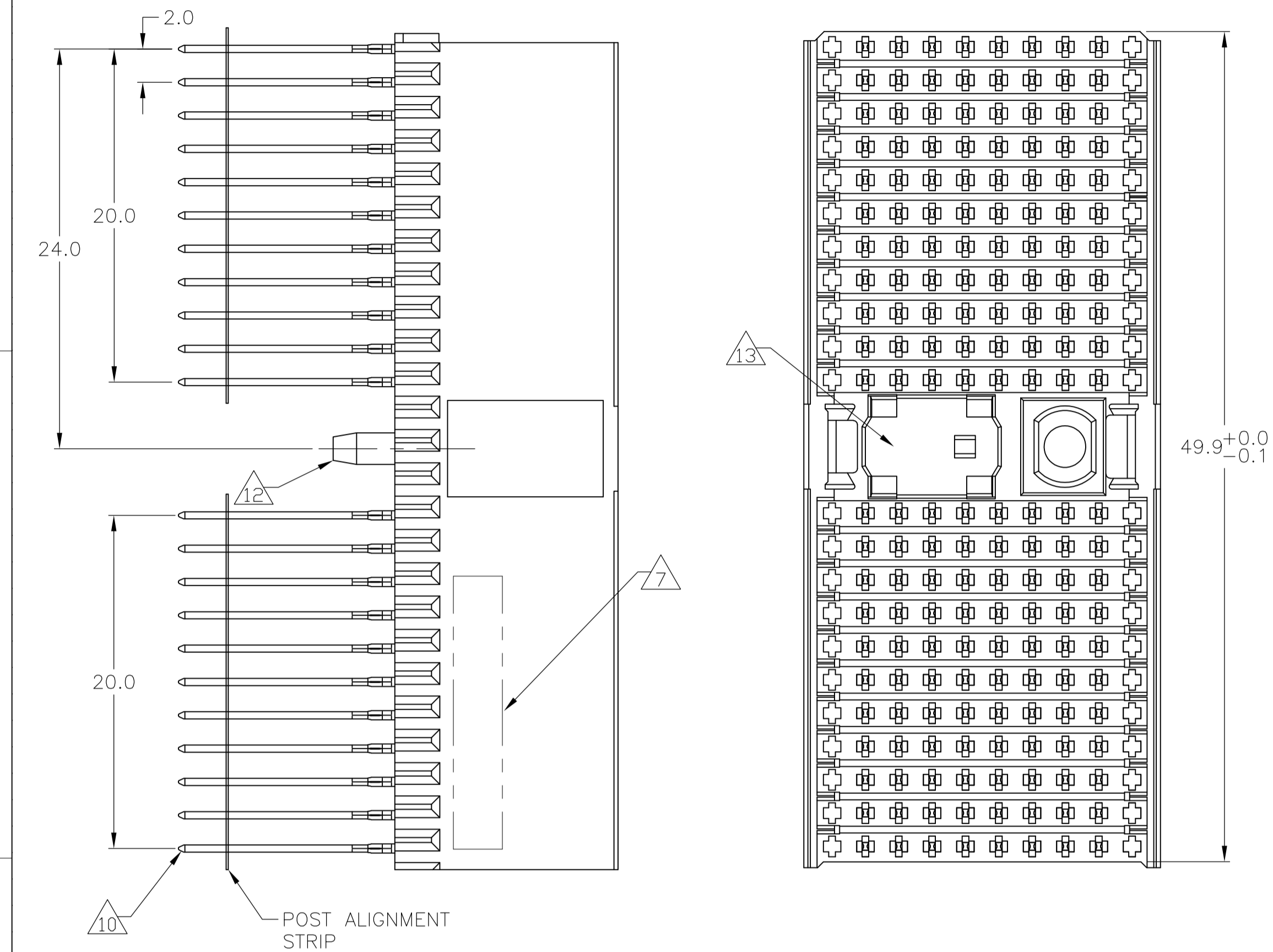
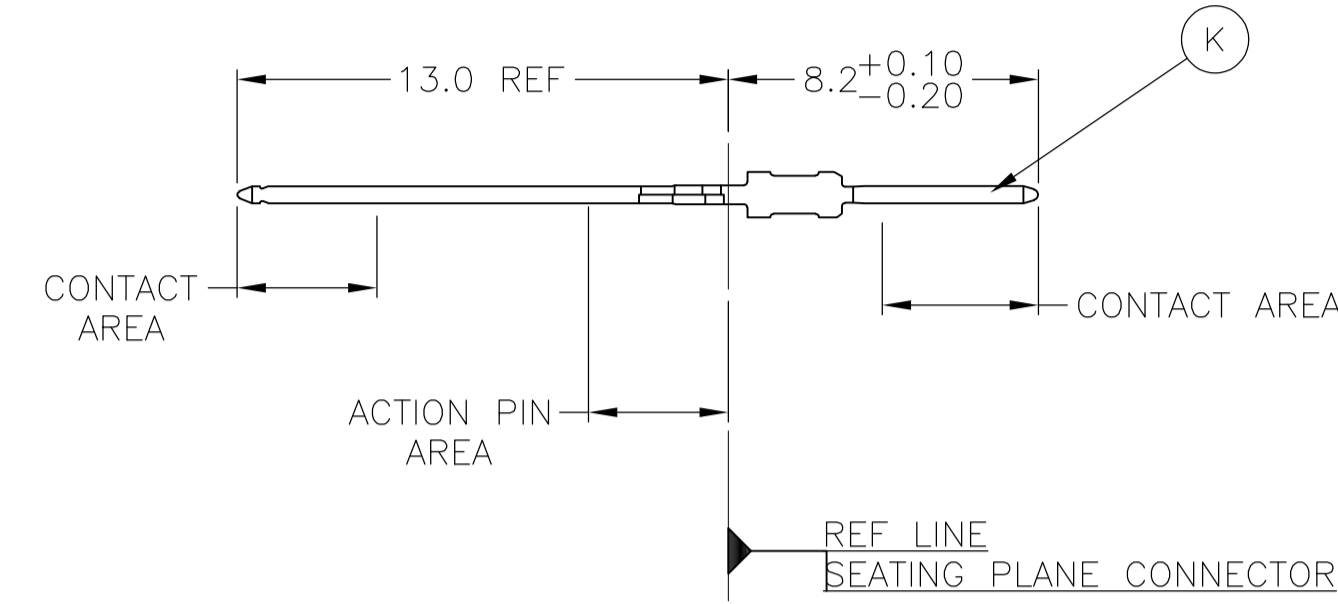


CONNECTOR ASSEMBLY EXAMPLARY LOADED



CONTACT DIMENSIONS

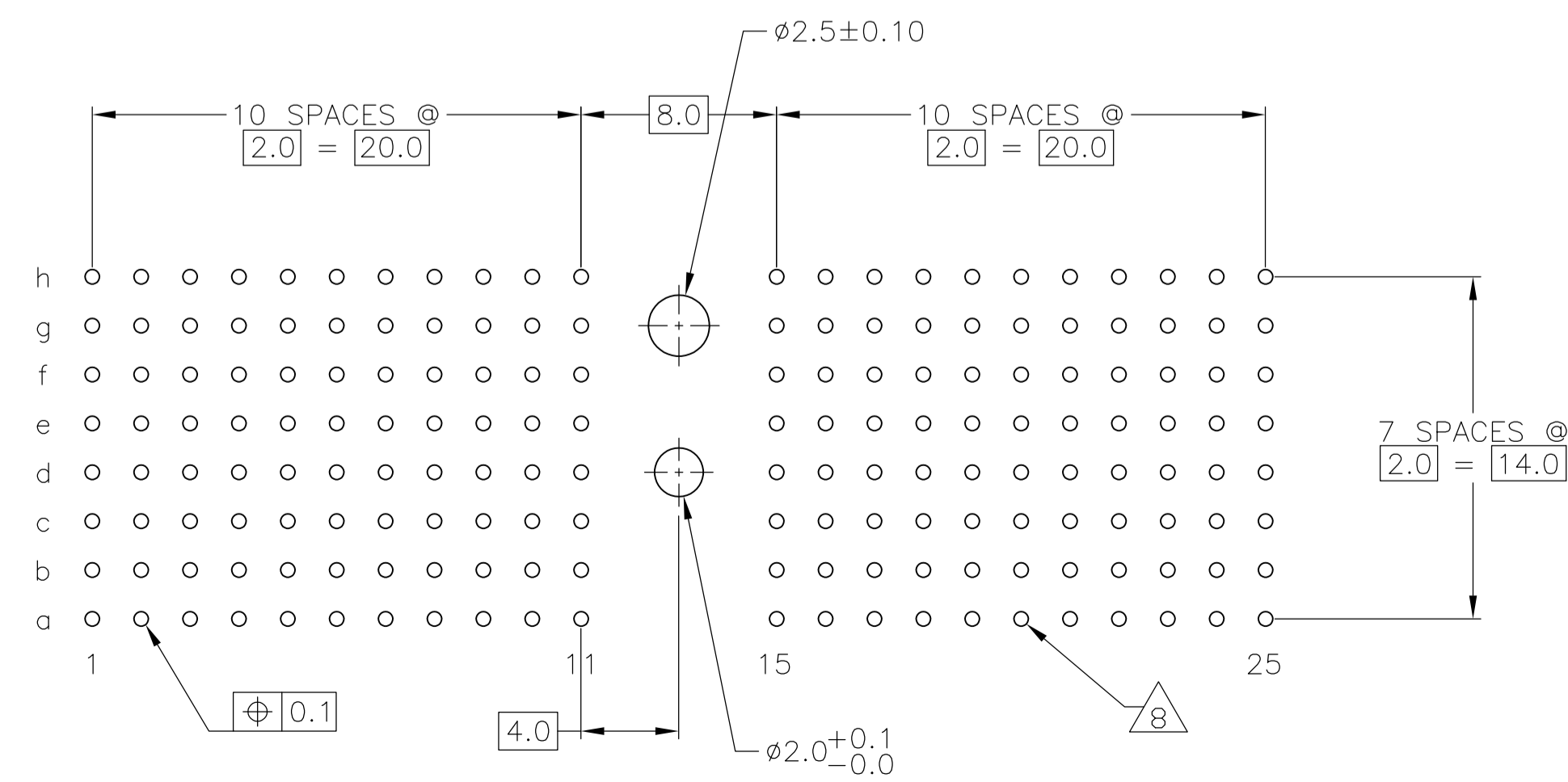
SCALE 5:1



CONTACT LAYOUT

	z	a	b	c	d	e	f	g	h	i
1	K	K	K	K	K	K	K	K		
2	K	K	K	K	K	K	K	K		
3	K	K	K	K	K	K	K	K		
4	K	K	K	K	K	K	K	K		
5	K	K	K	K	K	K	K	K		
6	K	K	K	K	K	K	K	K		
7	K	K	K	K	K	K	K	K		
8	K	K	K	K	K	K	K	K		
9	K	K	K	K	K	K	K	K		
10	K	K	K	K	K	K	K	K		
11	K	K	K	K	K	K	K	K		
MULTI PURPOSE CENTER										
15	K	K	K	K	K	K	K	K		
16	K	K	K	K	K	K	K	K		
17	K	K	K	K	K	K	K	K		
18	K	K	K	K	K	K	K	K		
19	K	K	K	K	K	K	K	K		
20	K	K	K	K	K	K	K	K		
21	K	K	K	K	K	K	K	K		
22	K	K	K	K	K	K	K	K		
23	K	K	K	K	K	K	K	K		
24	K	K	K	K	K	K	K	K		
25	K	K	K	K	K	K	K	K		

RECOMMENDED PCB-HOLE LAYOUT COMPONENT SIDE SHOWN



PLATED THRU HOLES PARAMETERS

REFERENCE APPLICATION SPECIFICATION

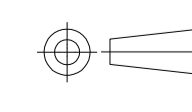
2	3	15	3-646372-0
2	6	14	1-646372-9
2	5	14	646372-9
2	4		646372-4
2	3		646372-1
FINISH			PART NUMBER

THIS DRAWING IS A CONTROLLED DOCUMENT.

DIMENSIONS: mm	TOLERANCES UNLESS OTHERWISE SPECIFIED:	DRAWN: S. WAITMAN 13JUL05	APPROVED: G. SKIPPER 13JUL05	Tyco Electronics Corporation Harrisburg, Pa 17105-3608
0-PLC ±	±0.2	NAME: G. SKIPPER	PRODUCT SPEC: 108-1622	MALE ASSEMBLY, Z-PACK 2mm HM, TYPE D
1-PLC ±0.1		APPLICATION SPEC: 114-19029	SIZE: A1	RESTRICTED TO: -
2-PLC ±		WEIGHT: -	CAGE CODE: 00779	SCALE: 4:1
3-PLC ±		FINISH: SEE TABLE	DRAWING NO: 646372	SHEET 1 OF 2
4-PLC ±			CUSTOMER DRAWING	REV J

LOC		DIST		REVISIONS				
P	LTR	DESCRIPTION	DATE	DN	APVD			
AD	00	SEE SHEET 1	-	-	-			

- 1 MATERIAL:
CONTACT: PHOSPHOR BRONZE.
HOUSING: GLASS-FILLED POLYESTER.
- 2 GENERAL PLATING SPECIFICATION: UNDERPLATING
(ENTIRE CONTACT): 1.27µm MIN NICKEL AND ACTION
PIN: 0.5µm MIN TIN LEAD.
FOR PLATING OF MATING SURFACES SEE APPLICABLE
SPECIFICATION REFERENCE FOR EACH DASH NUMBER.
- 3 CONFORMS TO ALL TESTING ACCORDING TO IEC 61076-4-101
PERFORMANCE LEVEL 2.
- 4 CONFORMS TO ALL TESTING ACCORDING TO IEC 61076-4-101
PERFORMANCE LEVEL 1.
- 5 CONNECTOR TESTED AND QUALIFIED AGAINST TELCORDIA GR-1217-CORE QUALITY LEVEL 3,
CENTRAL OFFICE APPLICATIONS.
- 6 CONNECTOR TESTED AND QUALIFIED AGAINST TELCORDIA GR-1217-CORE QUALITY LEVEL 3,
UNCONTROLLED ENVIROMENT APPLICATIONS.
- 7 CONNECTOR MARKED WITH PART NUMBER AND DATE CODE.
ADDITIONAL CHARACTERS OR MARKINGS, AS WELL AS THE LOCATION OF THE MARKINGS,
MAY BE ADDED FOR TRACEABILITY BASED UPON MANUFACTURERS DISCRETION.
- 8 PLATED-THROUGH HOLES AT 2x2mm SQUARE GRID
PATTERN DEFINED BY CONTACT LAYOUT.
- 9 FOR ACTUAL PIN LOADING SEE "CONTACT LAYOUT".
- 10 FOR ACTUAL PIN DIMENSIONS SEE "CONTACT DIMENSIONS".
- 11 TO BE MEASURED AT BOTTOM OF SHROUD.
- 12 POLARIZATION FEATURE.
- 13 AREA RESERVED FOR KEYING PART (BASIC P/N 100525).
- 14 CONNECTOR LUBRICATED WITH BELCORE APPROVED LUBRICANT,
TECHNICAL REFERENCE: TR-NWT-001217 ISSUE 1, SEP 1992.
- 15 0.76µm MIN GOLD PLATING AT MATING SURFACES.

THIS DRAWING IS A CONTROLLED DOCUMENT.		DIN S. WAITMAN 13JUL05		Tyco Electronics Corporation Harrisburg, Pa 17105-3608	
DIMENSIONS: mm		TOLERANCES UNLESS OTHERWISE SPECIFIED: ±0.2		Tyco Electronics	
		0-PLG ± 1-PLG ±0.1 2-PLG ± 3-PLG ± 4-PLG ± ANGLES ±1°		GSKIPPER 13JUL05 NAME MALE ASSEMBLY, Z-PACK 2mm HM, TYPE D	
MATERIAL SEE SHEET 1		FINISH SEE SHEET 1		PRODUCT SPEC 108-1622 APPLICATION SPEC 114-19029	
		WEIGHT -		SIZE CAGE CODE DRAWING NO A1 00779 C=646372	
		CUSTOMER DRAWING		RESTRICTED TO SCALE 4:1 SHEET 2 OF 2 REV J	